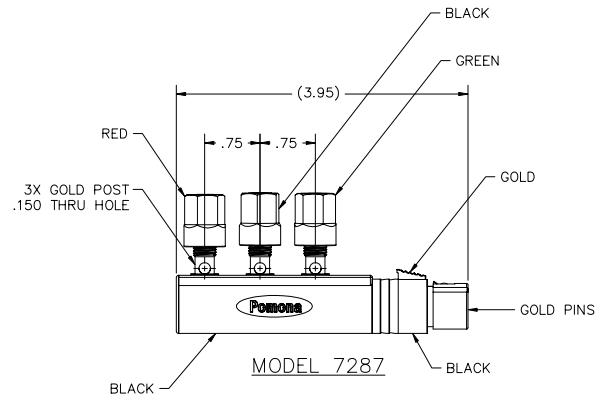


**Model 7287
XLR (F) / Triple Binding Post**



Model 7287 XLR (F) / Triple Binding Post



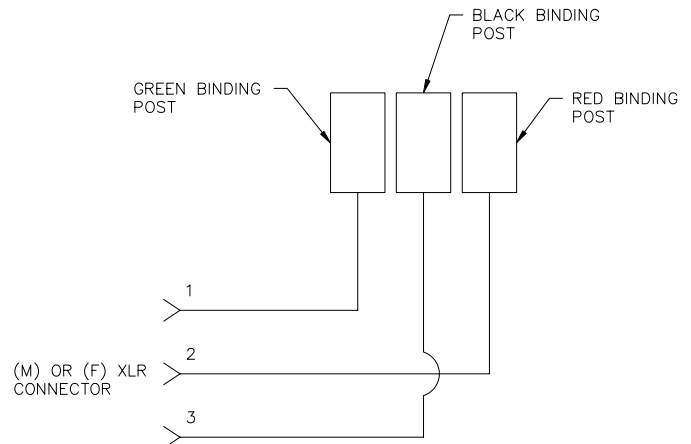
Features

- 5-way binding posts accept banana plugs vertically or horizontally, dual or triple banana plugs vertically or horizontally, bare wire via through-holes, alligator clips or spade lugs.
- XLR jack enables connection to audio cable links or broadcast system panels.
- Gold plated contacts and binding posts for excellent conductivity.
- 3/4" Spacing between banana jacks allows dual or triple banana plug connections.
- Cross holes have large 3.8 mm (0.150") diameter for easy wire access.
- Rugged body exterior.

Materials

- Adapter body is made of rugged ABS.
- Binding posts: gold plated brass. Nylon 6 hex nuts.
- XLR Body: Die cast zinc.
- XLR female center contacts: gold plated brass.

Connection Schematic



Specifications

- Voltage: 33 Vrms / 70 Vdc

Ordering Information

Model: 7287, XLR (F) / Triple Binding Post

USA: Sales: 800-490-2361

Technical Support: 800-241-2060 Fax: 888-403-3360

Europe: 31-(0) 40 2675 150 International: 425-446-5500

e-mail: technicalsupport@pomonatest.com

Where to Buy: www.pomonaelectronics.com

All dimensions are in inches. Tolerances (except noted): .xx = ±.02" (.51 mm), .xxx = ±.005" (.127 mm). All specifications are to the latest revisions. Specifications are subject to change without notice. Registered trademarks are the property of their respective companies.

Mouser Electronics

Authorized Distributor

Click to View Pricing, Inventory, Delivery & Lifecycle Information:

[Pomona:](#)

[7287](#)