

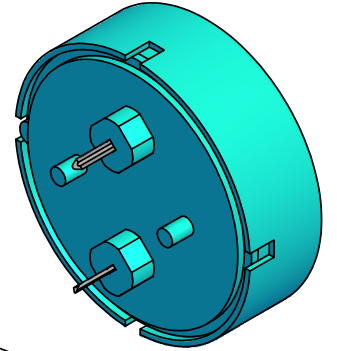
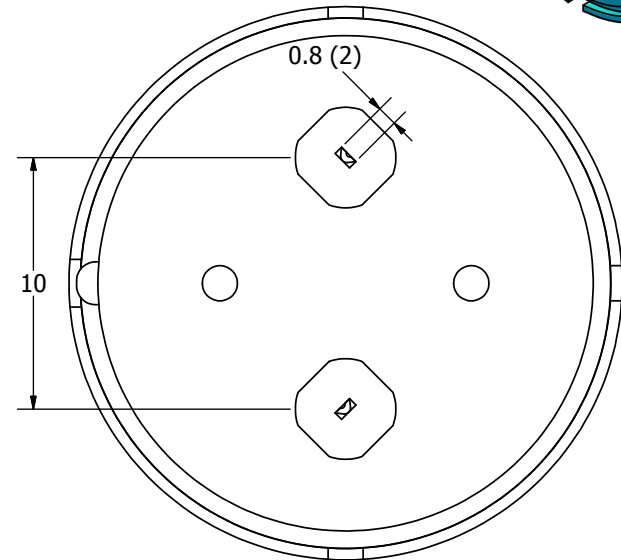
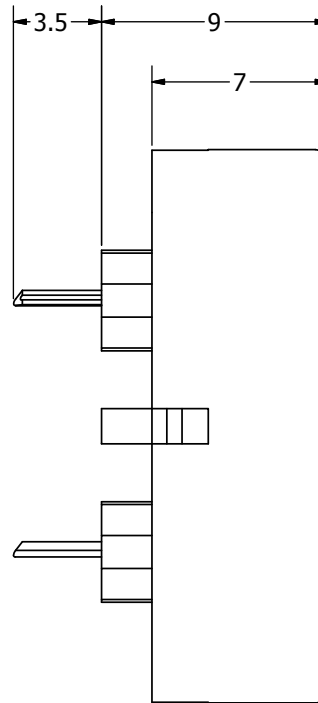
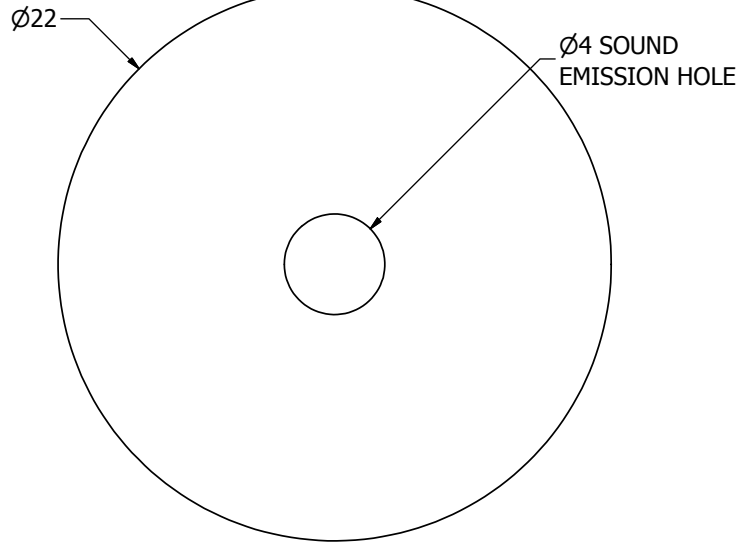
SPECIFICATIONS

| PARAMETERS | VALUES | UNIT |
|-------------------------|-----------------|-------|
| RATED VOLTAGE | 3 | Vp-p |
| OPERATING VOLTAGE RANGE | 1 ~ 30 | Vp-p |
| RATED CURRENT (MAX) | 3 | mA |
| CAPACITANCE | 15,000 ± 30% | pF |
| MINIMUM SPL @ 10 CM | 80 | dBA |
| RESONANT FREQUENCY | 4,000 ± 500 | Hz |
| OPERATING TEMPERATURE | -20 ~ +70 | °C |
| STORAGE TEMPERATURE | -30 ~ +80 | °C |
| HOUSING MATERIAL | PBT | - |
| TERMINAL MATERIAL | Sn PLATED BRASS | - |
| WEIGHT | 2 | grams |

THIS DOCUMENT CONTAINS DATA PROPRIETARY TO PROJECTS UNLIMITED, INC. ANY USE OR REPRODUCTION, IN ANY FORM, WITHOUT PRIOR WRITTEN PERMISSION OF PROJECTS UNLIMITED, INC. IS PROHIBITED.
©2003, Projects Unlimited Inc.


REVISION HISTORY

| LTR | DESCRIPTION | DATE | APPROVED |
|-----|--|------------|----------|
| - | RELEASED FROM ENGINEERING | 12/01/2004 | |
| A | REMOVED LEAD FREE ADDED RoHS NOTE | 8/10/2005 | |
| B | REVISED TO INVENTOR 3-D DRAWING TEMPLATE | 8/07/2008 | B.R. |



NOTES:

1. ALL DIMENSIONS ARE IN MILLIMETERS.
2. SPECIFICATIONS SUBJECT TO CHANGE OR WITHDRAWAL WITHOUT NOTICE.
3. THIS PART IS RoHS 2002/95/EC COMPLIANT.

| | | | | | | | | | |
|--|-------------------|--|----------|------------|---|-------------|----------|------------|-------|
| UNLESS OTHERWISE SPECIFIED: DIMENSIONS ARE IN MILLIMETERS, TOLERANCES ARE ±0.5 AND ANGLES ARE ±3°. | SIZE A3 | Designed by | Date | Checked by | Date | Approved by | Date | Drawn Date | |
| | | R.A.C. | 3/4/2004 | | | R.W. | 3/4/2004 | 8/7/2008 | |
| AT-2240-TT-R.idw | |  pui audio A Division of Projects Unlimited | | | AT-2240-TT-R Transducer (Piezo) | | | Edition | Sheet |
| | | | | | | | | - | 1 / 1 |

Mouser Electronics

Authorized Distributor

Click to View Pricing, Inventory, Delivery & Lifecycle Information:

[PUI Audio:](#)

[AT-2240-TT-R](#)