

## High-performance Video Signal Switchers

# Broadband Triple Circuits Video Signal Switchers

## BA7657S/F, BH7659FS

### •Description

The BA7657S, BA7657F, and BH7659FS are ICs that have been developed for use in PC monitors, HDTVs (high definition televisions), and other high-resolution display devices. In addition to their wide-range switching circuits for RGB signals, HD signals, and VD signals, the BA7657S and BA7657F feature a separation (BUNRI) circuit for the synchronization signal that is superposed on the G signal, while the BH7659FS features an on-chip switch for I<sup>2</sup>C bus signals (SDA and SCL). These ICs can be used to simplify the input block configuration in advanced display devices.

### •Features

- 1) Operates on 5 V single power supply.
- 2) Built-in wide-range RGB signal switches. (BA7657S/F:  $f_c = 230$  MHz)  
(BH7659FS:  $f_c = 250$  MHz)
- 3) Built-in switching circuit for Hd signal and Vd signal.
- 4) Built-in separation (BUNRI) circuit for synchronization signal superposed on G signal. (BA7657S/F)
- 5) Built-in switch for I<sup>2</sup>C bus signals (SDA and SCL). (BH7659FS)
- 6) Built-in power saving function. (BH7659FS)

### •Use

PC monitors, Plasma displays, LCD monitors, and Other devices that use wide-range RGB signal switching.

### •Lineup

Parameter	BA7657S/F	BH7659FS
Circuit current (mA)	35	25
Circuit current during low-power mode (mA)	—	14
RGB signal SW block frequency characteristics (MHz)	230	250
Synchronization signal SW block circuit configuration	2 digital switching circuits	4 CMOS analog switching circuits
Synchronization signal separation circuit	✓	—
Package	SDIP24/SOP24	SSOP-A32

### •Absolute Maximum Ratings (Ta=25°C)

Parameter	Symbol	Limits	Unit
Supply voltage	Vcc	8.0	V
Power dissipation	BA7657S	1200	mW
	BA7657F	550	
	BH7659FS	800	
Operating temperature	Topr	-25~+75	°C
Storage temperature	Tstg	-55~+125	°C

※Deratings is done at 12mW/°C (BA7657S), 5.5mW/°C (BA7657F), 8mW/°C (BA7659FS) above Ta=25°C.

### •Operating Range (Ta=25°C)

Parameter	Symbol	Min.	Typ.	Max.	Unit
Supply voltage	Vcc	4.5	5.0	5.5	V

※This product is not designed for protection against radioactive rays.

●Electrical characteristics (1/2)

**BA7657S/F**

(Unless otherwise noted, Ta=25°C, Vcc=5.0V)

Parameter	Symbol	Min.	Typ.	Max.	Unit	Conditions
Circuit current	ICC	20	35	50	mA	
〈Analog SW block〉						
Maximum output level	Vom	2.8	—	—	V <sub>P-P</sub>	f=1kHz
Voltage gain	Gv	-1.0	-0.5	0	dB	f=1MHz, V <sub>IN</sub> =1V <sub>P-P</sub>
Input pin voltage gain differential	ΔG <sub>VI</sub>	-0.2	0	0.2	dB	f=1MHz, V <sub>IN</sub> =1V <sub>P-P</sub>
Inter block voltage gain differential	G <sub>VB</sub>	-0.2	0	0.2	dB	f=1MHz, V <sub>IN</sub> =1V <sub>P-P</sub>
Input pin cross talk1	CTI1	—	-50	-40	dB	f=10MHz, V <sub>IN</sub> =1V <sub>P-P</sub>
Interblock crosstalk1	CTB1	—	-50	-40	dB	f=10MHz, V <sub>IN</sub> =1V <sub>P-P</sub>
〈Digital SW block〉						
“H” level input voltage	V <sub>IH</sub>	1.8	—	—	V	
“L” level input voltage	V <sub>IL</sub>	—	—	1.2	V	
“H” level input current	I <sub>IH</sub>	80	100	130	μA	V <sub>IN</sub> =5.0V
“L” level input current	I <sub>IL</sub>	-3	-1	—	μA	V <sub>IN</sub> =0V
Rise time	T <sub>R</sub>	—	30	50	ns	
Fall time	T <sub>F</sub>	—	30	50	ns	
Rise delay time	T <sub>RD</sub>	—	50	80	ns	
Fall delay time	T <sub>FD</sub>	—	30	50	ns	
“H” level output voltage	V <sub>OH</sub>	3.0	3.7	—	V	
“L” level output voltage	V <sub>OL</sub>	—	0.2	0.4	V	
“H” level output current	I <sub>OH</sub>	-400	—	—	μA	
“L” level output current	I <sub>OL</sub>	5	—	—	mA	
〈Synchronization signal separation block〉						
Minimum SYNC separation level	V <sub>SMin.</sub>	-50	—	50	mV <sub>P-P</sub>	
“H” level output voltage	V <sub>OH</sub>	4.5	5.0	—	V	
“L” level output voltage	V <sub>OL</sub>	—	0.2	0.5	V	
“L” level output current	I <sub>OL</sub>	2	—	—	mA	
Rise time	T <sub>R</sub>	—	80	130	ns	
Fall time	T <sub>F</sub>	—	30	80	ns	
Rise delay time	T <sub>RD</sub>	—	100	150	ns	
Fall delay time	T <sub>FD</sub>	—	100	150	ns	
〈Control block〉						
“H” level input voltage	V <sub>IH</sub>	1.8	—	—	V	
“L” level input voltage	V <sub>IL</sub>	—	—	1.2	V	
“H” level input current	I <sub>IH</sub>	80	100	130	μA	
“L” level input current	I <sub>IL</sub>	-3	-1	—	μA	

●Electrical characteristics (2/2)

**BA7657S/F**

Guaranteed design parameters

(Unless otherwise noted, Ta=25°C, Vcc=5.0V)

Parameter	Symbol	Min.	Typ.	Max.	Unit	Conditions
〈Analog SW block〉						
Input pin cross talk 2	CTI2	—	-30	-15	dB	f=230kHz, VIN=1VP-P
Interblock cross talk 2	CTB2	—	-30	-15	dB	f=230MHz, VIN=1VP-P
Frequency characteristic	Gf	-6	-3	-1	dB	f=1MHz/230MHz, VIN=1VP-P
Input pin frequency differential	$\Delta GfI$	-1	0	+1	dB	f=1MHz/100MHz, VIN=1VP-P
Interblock frequency characteristic differential	$\Delta GfB$	-1	0	+1	dB	f=1MHz/100MHz, VIN=1VP-P
〈SYNC separation block〉						
SYNC separation frequency	fH-R	200	—	—	kHz	Input waveform ※1
SYNC separation pulse width 1	pwH1	3.0	—	—	$\mu S$	Input waveform ※2 fH=20kHz
SYNC separation pulse width 2	pwH2	0.5	—	—	$\mu S$	Input waveform ※2 fH=100kHz
SYNC separation pulse width 3	pwH3	0.3	—	—	$\mu S$	Input waveform ※2 fH=200kHz
SYNC separation level 1	VS1	300	—	—	$\mu S$	Input waveform ※3 fH=20kHz
SYNC separation level 2	VS2	100	—	—	$\mu S$	Input waveform ※3 fH=100kHz
SYNC separation level 3	VS3	60	—	—	$\mu S$	Input waveform ※3 fH=200kHz

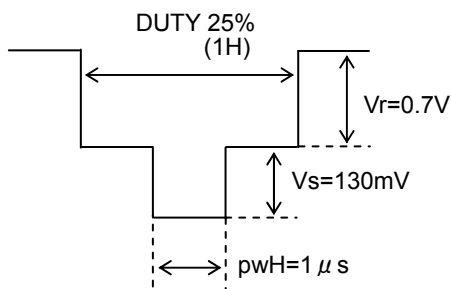
〈Input waveform〉

※1 Vs and pwH are variable. Vs and pwH are inter-related. See the characteristics diagram.

※2 Vs = 130 mV and pwH are variable.

※3 pwH = 1  $\mu s$  and Vs are variable.

Period of horizontal synchronization signal



●Block diagram  
**BA7657S/F**

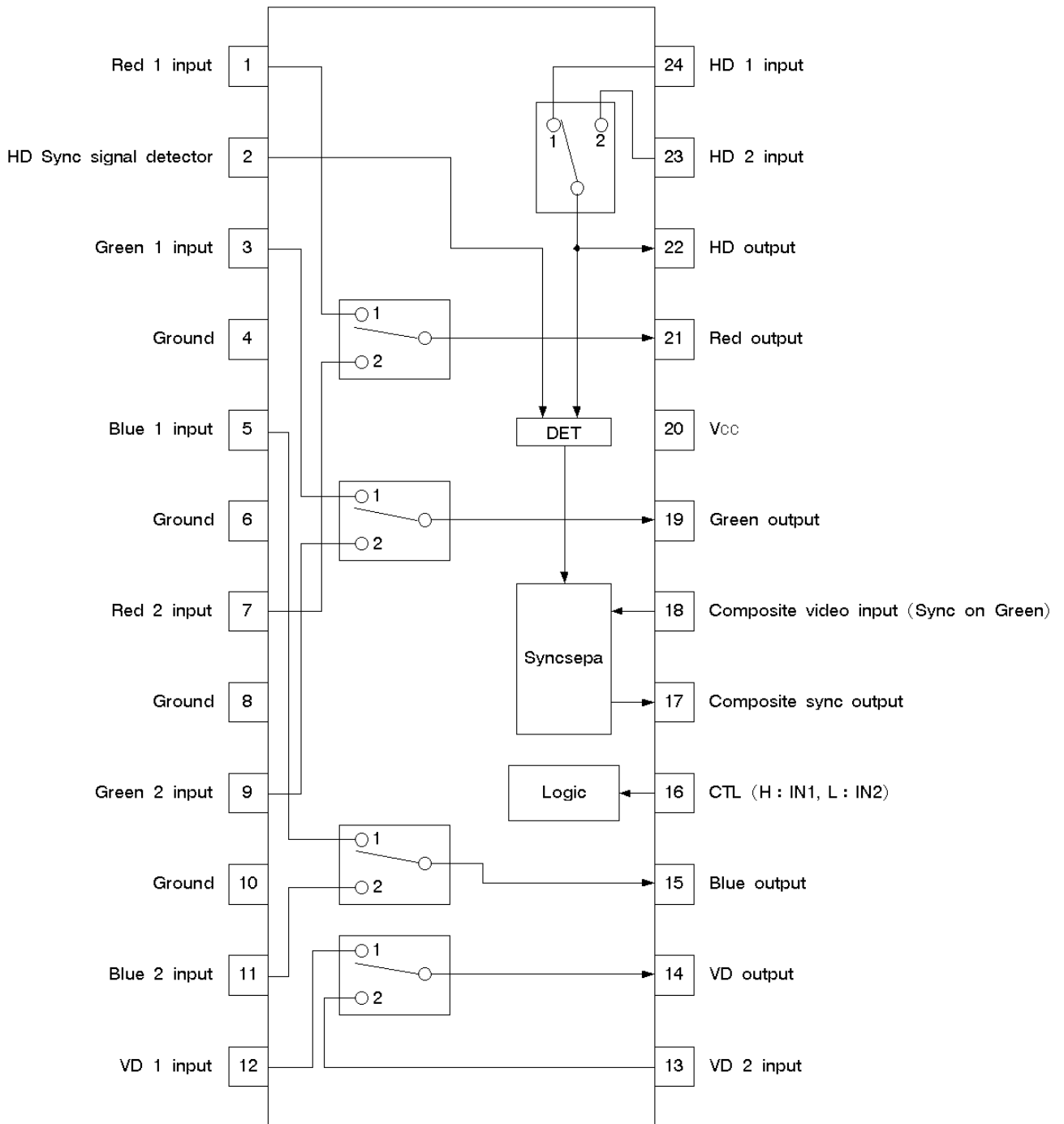


Fig.1

●Pin descriptions (1/2)

**BA7657S/F**

Pin No.	Pin name	Reference potential	Equivalent circuit	Function
1 3 5 7 9 11	Red1 Input Green1 Input Blue1 Input Red2 Input Green2 Input Blue2 Input	3.7V when selected 0V when not selected		2-channel switching of R, G, and B signals. Select between: CTL: H input1 CTL: L input2
15 19 21	Blue output Green output Red output	2.0V		Output pins for RGB signals. Insert resistance from 100 to 300 Ω near the pins to suppress f peaks at high frequencies.
16	Control	$H \geq 1.8V$ $L \leq 1.2V$		CTL pins Select between: CTL: H input1 CTL: L input2
12 13 23 24	Vd1 input Vd2 input Hd2 input Hd1 input	$H \geq 1.8V$ $L \leq 1.2V$		2-channel switching of VD and HD signals. Select between: CTL: H input1 CTL: L input2
14 22	Vd output Hd output	$V_{OH} \geq 3.0V$ $V_{OL} \leq 10.5V$		Output pins for vertical synchronization signal (Vd) And horizontal synchronization signal (Hd).

●Pin descriptions (2/2)

**BA7657S/F**

Pin No.	Pin name	Reference potential	Equivalent circuit	Function
18	Composite Video input	2.5V		Input pin for composite signal (Sync on Green).
2	Hd Sync Signal detector	—		This pin is used to detect whether or not the Hd signal is being input. When the Hd signal is being input, the synchronization signal separation circuit is stopped.
17	Composite sync output	—		Synchronization signal output pin  Synchronization separation is performed for the input signal from pin 18 if the Hd signal is not being input.
20	Vcc	5V	—	Insert a decoupling capacitor near the pin.
4 6 8	GND	0V	—	Use as large a GND pattern area as possible.

•Description of operations

**BA7657S/F**

1) Analog SW block

Two channels of RGB signals can be switched.  
IN1 can be selected when high-level voltage is applied to the CTL pin, and IN2 can be selected when low level voltage is applied.

2) Digital SW block

This block switches between two channels of HD and VD synchronization signals.  
HD and VD synchronization signals are output for IN1 when high-level voltage is applied to the CTL pin, and these signals are output for IN2 when a low-level voltage is applied to the CTL pin.

3) Synchronization signal separation block

This block separates composite signals (Sync on Green) and synchronization signals and outputs positive-electrode composite synchronization signals.

When an Hd signal is being input, the synchronization signal detector operates and stops the synchronization signal separation circuit. A low-level output voltage is used for output.

The time at which the synchronization signal separation circuit will be stopped can be set using external time constants for the circuit detection pin.

I/O relations

Input			Output		
HD	VD	Sync on Green	HD	VD	Composite Sync
—	—	○	—	—	○
○	—	○	○	—	—
—	○	○	—	○	○
○	○	○	○	○	—
○	—	—	○	—	—
—	○	—	—	○	—
○	○	—	○	○	—

•Application circuit

**BA7657S/F**

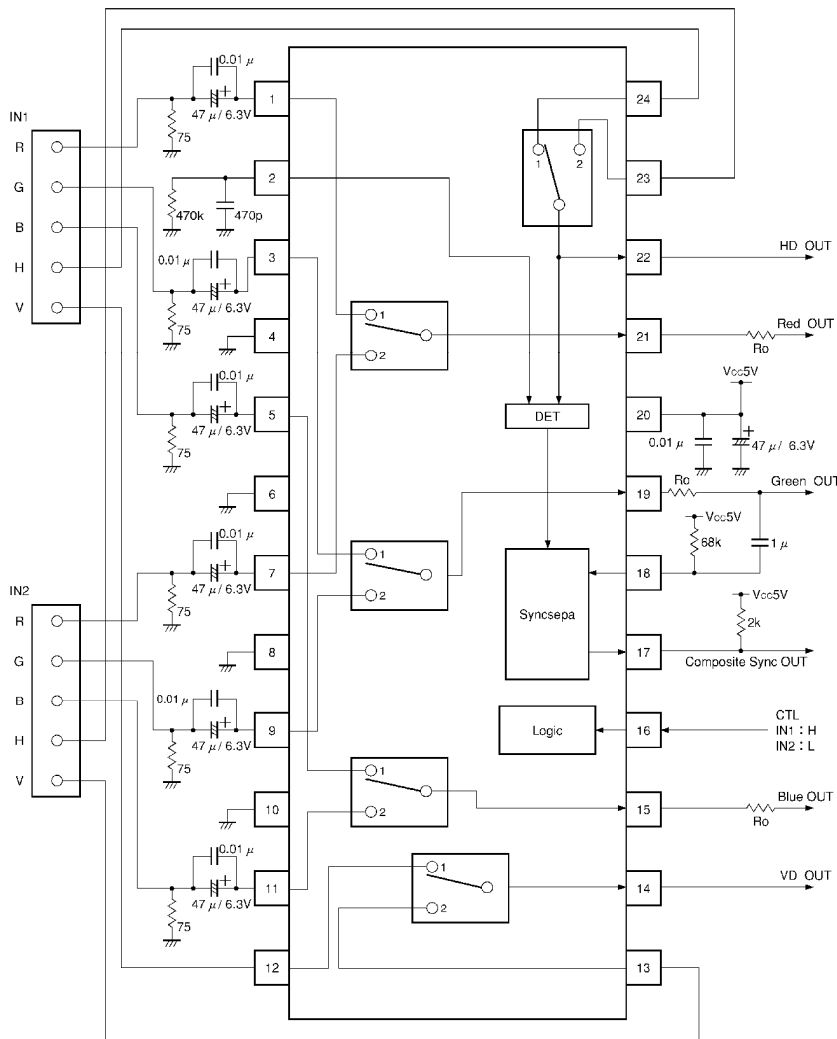


Fig.2

●Reference data

BA7657S/F

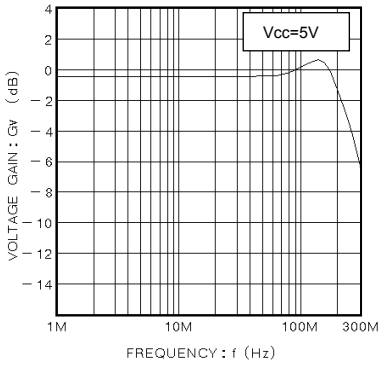


Fig.3 Frequency characteristic

BA7657 S/F

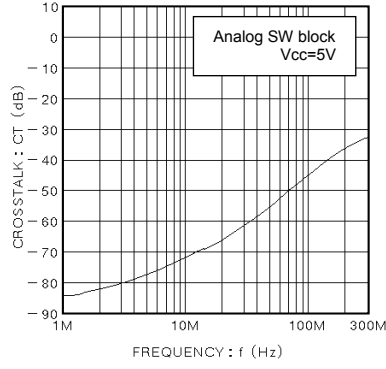


Fig.4 Interchannel crosstalk

BA7657S/F

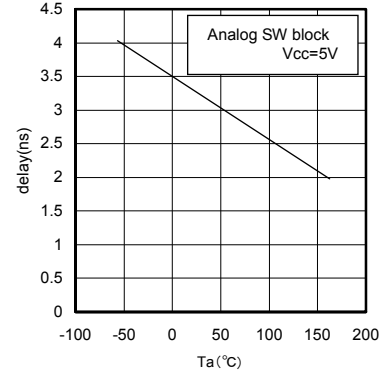


Fig.5 Input/output delay time vs. Temperature

BA7657S/F

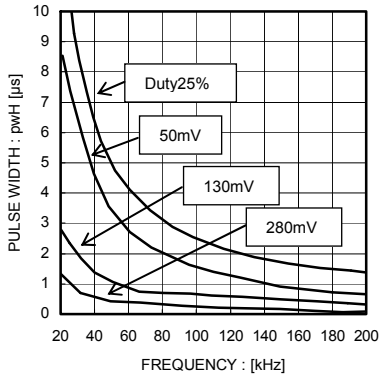


Fig.6 Minimum SYNC separation characteristic

BA7657S/F

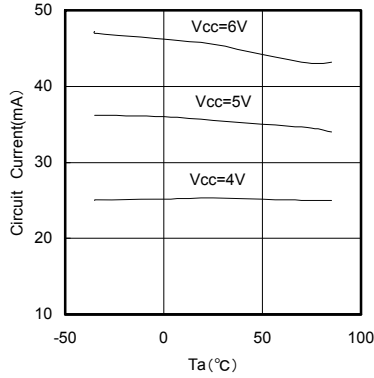


Fig.7 Quiescent current vs. Temperature

●Electrical characteristics

**BH7659FS**

(Unless otherwise noted, Ta=25°C, Vcc=5.0V)

Parameter	Symbol	Min.	Typ.	Max.	Unit	Conditions
〈Entire device〉						
Circuit current	ICc	15	25	35	mA	—
Circuit current during power save	IPsv	7	14	22	mA	PS="H"
〈R,G,B video SW〉						
Voltage gain	Gv	-1.0	-0.5	0	dB	f=10MHz
Interchannel relative gain	$\Delta G_{VC}$	-0.5	0	0.5	dB	f=10MHz
Interblock relative gain	$\Delta G_{VB}$	-0.5	0	0.5	dB	f=10MHz
Output dynamic range	VOM	2.6	—	—	VP-P	f=1kHz
〈C-MOS analog SW〉						
On-resistance	RON	—	200	400	$\Omega$	VIN=2.5V
Interchannel ON resistance differential	$\Delta RON$	—	20	40	$\Omega$	VIN=2.5V
Interchannel cross talk	CT	—	-70	-55	dB	f=150kHz
Transmission delay time	tD	—	20	—	ns	RL=100 $\Omega$ , CL=50pF
〈Control block〉						
"H" level voltage	VH	3.5	—	—	V	—
"L" level voltage	VL	—	—	1.5	V	—

●Guaranteed design parameters

**BH7659FS**

(Unless otherwise noted, Ta=25°C, Vcc=5.0V)

Parameter	Symbol	Min.	Typ.	Max.	Unit	Conditions
〈R/G/B video SW〉						
Frequency characteristics 1	f1	-3.0	0	+1.0	dB	f=50MHz
Frequency characteristics 2	f2	-6.0	-3	-1.0	dB	f=250MHz
Interchannel relative frequency characteristics	$\Delta f_c$	-0.5	0	0.5	dB	f=50MHz
Interblock relative frequency characteristics	$\Delta f_B$	-0.5	0	0.5	dB	f=50MHz
Interchannel cross talk 1	CTc1	—	-50	-35	dB	f=50kHz
Interchannel cross talk 2	CTc2	—	-30	-15	dB	f=250MHz
Interblock cross talk 1	CTB1	—	-50	-35	dB	f=50MHz
Interblock cross talk 2	CTB2	—	-30	-15	dB	f=250MHz

●Block diagram  
BH7659FS

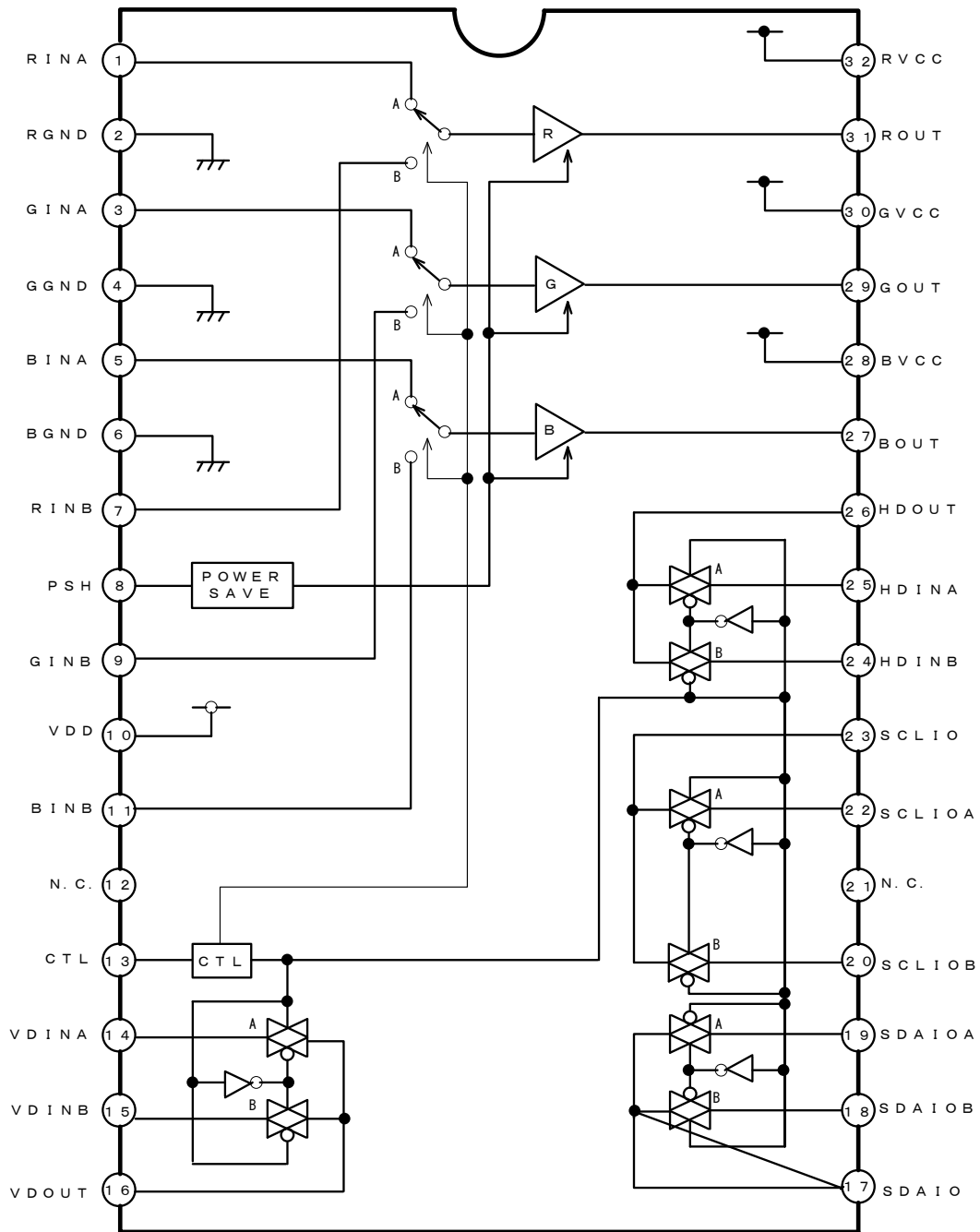


Fig.8

●Pin descriptions (1/2)

**BH7659FS**

Pin No.	Pin name	Reference potential	Equivalent circuit	Function
1 3 5 7 9 11	R chroma signal input pin A (RINA) G chroma signal input pin A (GINA) B chroma signal input pin A (BINA) R chroma signal input pin B (RINB) G chroma signal input pin B (GINB) B chroma signal input pin B (BINB)	3.5V when selected 0V when not selected		RGB signals are switched in two channels. When selected by SW, the DC potential is approximately 3.5V, and when not selected, the DC potential is about 0 V.
27 29 31	B chroma signal input pin (BOUT) G chroma signal input pin (GOUT) R chroma signal input pin (ROUT)	1.85V		Power save function is used when PSH pin is set to high level.
8 13	Power save input pin (PSH) Control input pin (CTL)	0V		PSH Pin Power save off $\leq 1.5V$ Power save on $\geq 3.5V$  CTL Pin Input A $\geq 3.5V$ Input B $\leq 1.5V$

●Pin descriptions (2/2)

**BH7659FS**

Pin No.	Pin name	Reference potential	Equivalent circuit	Function
14 15 16 17 18 19 20 22 23 24 25 26	V <sub>D</sub> signal input pin A (V <sub>D</sub> INA) V <sub>D</sub> signal input pin B (V <sub>D</sub> INB) V <sub>D</sub> signal output pin (V <sub>D</sub> OUT) SDA signal output pin (SDAIO) SDA signal input pin B (SDAIOB) SDA signal input pin A (SDAIOA) SCL signal input pin B (SCLIOB) SCL signal input pin A (SCLIOA) SCL signal output pin (SCLIO) HD signal input pin B (HDINB) HD signal input pin A (HDINA) HD signal output pin (HDOUT)	0V		V <sub>D</sub> , H <sub>D</sub> , SDA, and SCL are switched in two channels. Bidirectional access (I/O) is enabled by the CMOS analog SW.
2	R GND pin (RGND)	0V	—	This is the GND pin for the R video SW block.
4	G GND pin (GGND)	0V	—	This is the GND pin for the B video SW block.
6	B GND pin (BGND)	0V	—	This is the GND pin for the G video SW block , C-MOS SW block.
10	C-MOS supply voltage pin (V <sub>DD</sub> )	5V	—	This is the V <sub>DD</sub> pin for the C-MOS SW block.
28	B supply voltage pin (BV <sub>CC</sub> )	5V	—	This is the V <sub>CC</sub> pin for the B video SW block
30	G supply voltage pin (GV <sub>CC</sub> )	5V	—	This is the V <sub>CC</sub> pin for the G video SW block
32	R supply voltage pin (RV <sub>CC</sub> )	5V	—	This is the V <sub>CC</sub> pin for the R video SW block

•Description of operations

**BH7659FS**

1) Analog SW block

R, G, and B chroma signals are switched in two channels.

INA is selected by applying a high-level voltage to the CTL pin, and INB is selected by applying a low-level voltage.

When the power save pin (pin 8) is set to high level, the current to the SW block's output transistors is reduced to lower the circuit current.

Even during low power mode, signal switching can be performed normally as long as there is no drop in frequency characteristics.

2) CMOS analog SW block

SDA and SDC signals are switched via an I<sup>2</sup>C bus to handle two channels of HD and VD synchronization signals, and to exchange information bidirectionally between a computer and a monitor.

The switching circuits used by this IC handle are configured as CMOS analog switches in order to handle I<sup>2</sup>C BUS signals and to transmit input and output signals bidirectionally. (ON resistance: Ron 200 Ω typ.)

•Application circuit

**BH7659FS**

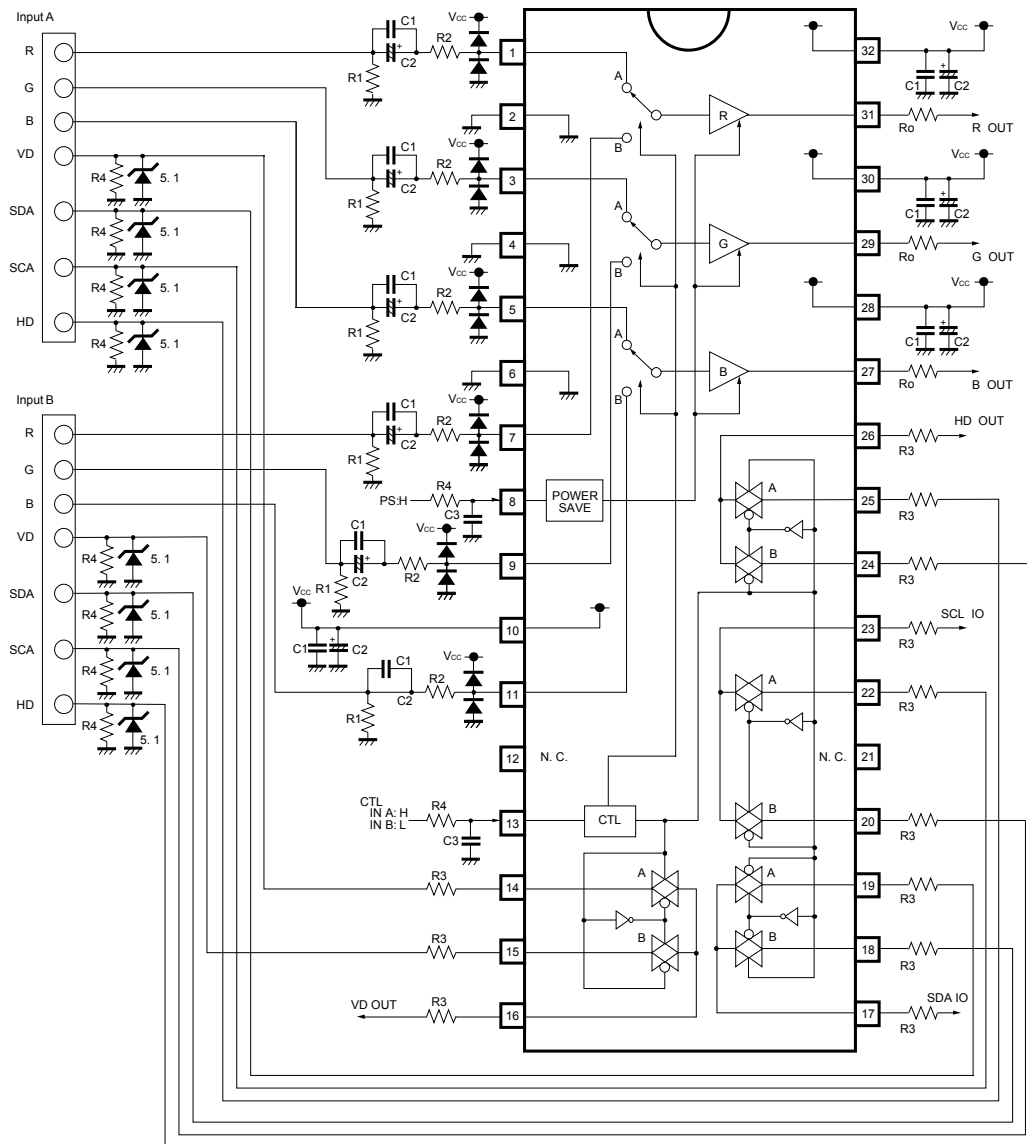


Fig.9

●Reference data

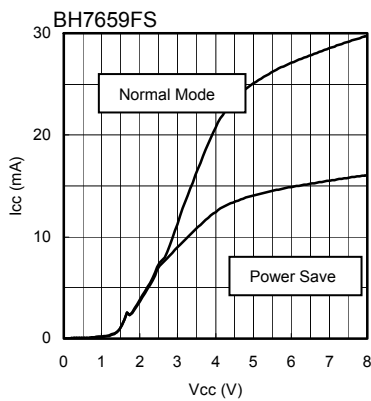


Fig.10 Circuit current vs. Supply voltage

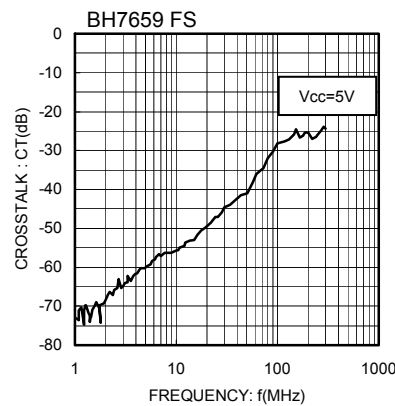


Fig.11 interchannel crosstalk

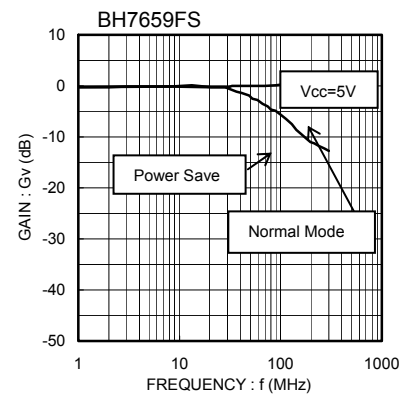


Fig.12 Frequency characteristics

●Cautions on use (1/2)

**[BA7657S/F, BH7659FS]**

- 1) Numbers and data in entries are representative design values and are not guaranteed values of the items.
- 2) Although we are confident in recommending the sample application circuits, carefully check their characteristics further when using them. When modifying externally attached component constants before use, determine them so that they have sufficient margins by taking into account variations in externally attached components and the Rohm LSI, not only for static characteristics but also including transient characteristics.
- 3) Absolute maximum ratings  
If applied voltage, operating temperature range, or other absolute maximum ratings are exceeded, the LSI may be damaged. Do not apply voltages or temperatures that exceed the absolute maximum ratings. If you think of a case in which absolute maximum ratings are exceeded, enforce fuses or other physical safety measures and investigate how not to apply the conditions under which absolute maximum ratings are exceeded to the LSI.
- 4) GND potential  
Make the GND pin voltage such that it is the lowest voltage even when operating below it. Actually confirm that the voltage of each pin does not become a lower voltage than the GND pin, including transient phenomena.
- 5) Thermal design  
Perform thermal design in which there are adequate margins by taking into account the allowable power dissipation in actual states of use.
- 6) Shorts between pins and misinstallation  
When mounting the LSI on a board, pay adequate attention to orientation and placement discrepancies of the LSI. If it is misinstalled and the power is turned on, the LSI may be damaged. It also may be damaged if it is shorted by a foreign substance coming between pins of the LSI or between a pin and a power supply or a pin and a GND.
- 7) Operation in strong magnetic fields  
Adequately evaluate use in a strong magnetic field, since there is a possibility of malfunction.

**[BA7657S/F]**

- 8) External resistance for analog SW block  
The frequency characteristics of analog switches vary according to the output load capacity. Set an external resistance value of R0 to keep frequency characteristics as flat as possible.
- 9) Polarity of input coupling capacitor  
When this IC is switched, variation is approximately 3.7 V when the input pin's DC voltage has been selected, but is 0 V when the input pin's DC voltage has not been selected. Therefore, the input coupling capacitor's polarity should be set so as to avoid applying a reverse voltage to capacitors, whether the input pin's DC voltage has been selected or not.
- 10) High-frequency characteristics of input coupling capacitor  
Since this IC handles signals at very high frequencies, when using an electrolytic capacitor as a coupling capacitor for input, be sure to insert high-frequency oriented ceramic capacitors (approximately 0.01  $\mu$ F) in parallel.
- 11) Layout of target board  
Since this IC handles signals at very high frequencies, be sure to insert the power supply pin's decoupling capacitor close to the IC's power supply pin. Also, use as large a GND pattern as possible.
- 12) Switching speed  
Since this IC changes the DC voltage of input pins when switching, some time is required for switching. The amount of switching time can be determined by time constants that are in turn determined by the capacity of the coupling capacitor connected to the input pin, and the IC's internal input resistance. When using the recommended input coupling capacitor whose capacitance is 47  $\mu$ F, the switching time is approximately 0.5 seconds.

●Cautions on use (2/2)

**[BH7659FS]**

13) External resistance for analog SW block

The frequency characteristics of analog switches vary according to the output load capacity. Set an external resistance value of R0 to keep frequency characteristics as flat as possible.

14) Polarity of input coupling capacitor

When this IC is switched, variation is approximately 3.5 V when the input pin's DC voltage has been selected, but is 0 V when the input pin's DC voltage has not been selected. Therefore, the input coupling capacitor's polarity should be set so as to avoid applying a reverse voltage to capacitors, whether the input pin's DC voltage has been selected or not.

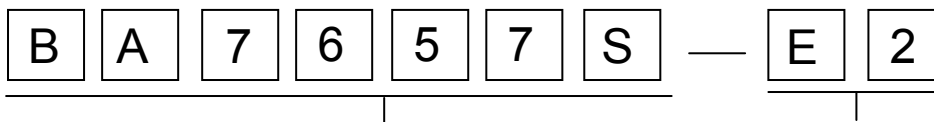
15) High frequency characteristics of input coupling capacitor

Since this IC handles signals at very high frequencies, when using an electrolytic capacitor as a coupling capacitor for input, be sure to insert high-frequency oriented ceramic capacitors (approximately 0.01 μF) in parallel.

16) Layout of target board

Since this IC handles signals at very high frequencies, be sure to insert the power supply pin's decoupling capacitor close to the IC's power supply pin. Also, use as large a GND pattern as possible.

●Selection of order type



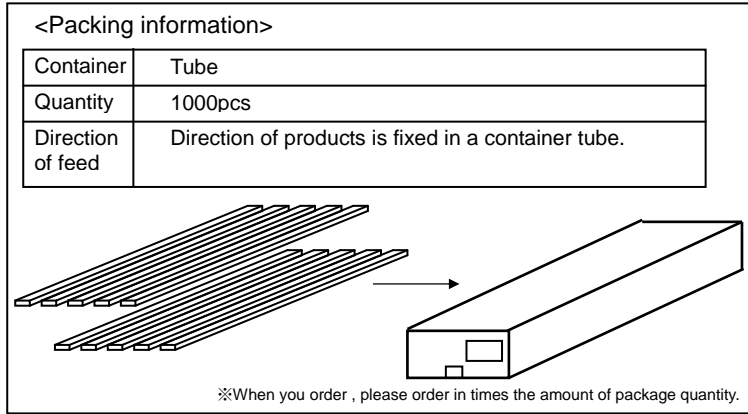
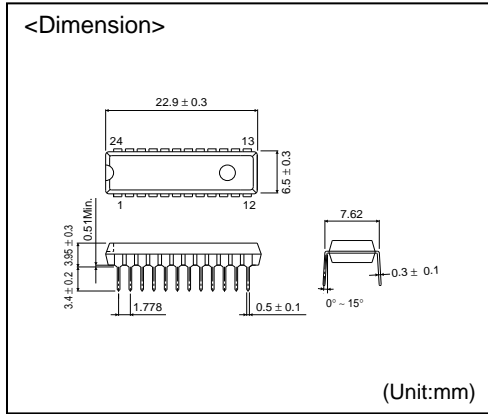
Part. No.  
BA7657S  
BA7657F  
BH7659FS

Tape and Reel information  
BA7657S ··· None(Tube)  
BA7657F ··· E2(Embossed carrier tape)  
BH7659FS ··· E2(Embossed carrier tape)

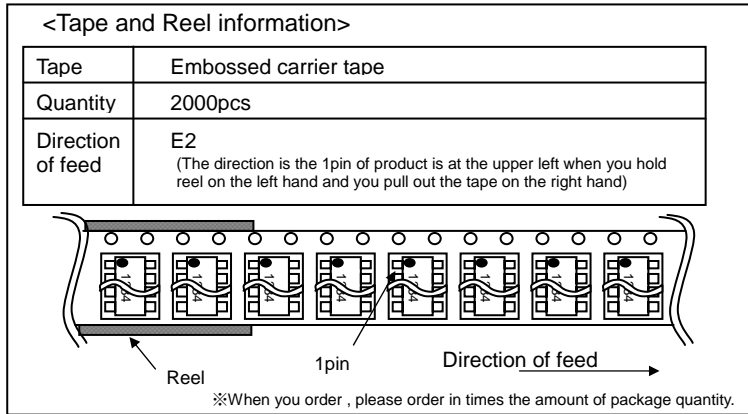
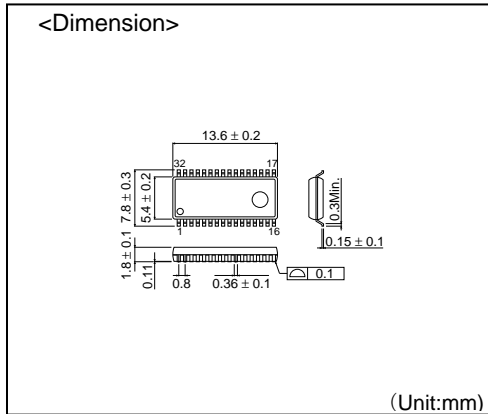
**SOP24**

<p>&lt;Dimension&gt;</p> <p>(Unit:mm)</p>	<p>&lt;Tape and Reel information&gt;</p> <table border="1"> <tr> <td>Tape</td> <td>Embossed carrier tape</td> </tr> <tr> <td>Quantity</td> <td>2000pcs</td> </tr> <tr> <td>Direction of feed</td> <td>E2 (The direction is the 1pin of product is at the upper left when you hold reel on the left hand and you pull out the tape on the right hand)</td> </tr> </table> <p>※When you order , please order in times the amount of package quantity.</p>	Tape	Embossed carrier tape	Quantity	2000pcs	Direction of feed	E2 (The direction is the 1pin of product is at the upper left when you hold reel on the left hand and you pull out the tape on the right hand)
Tape	Embossed carrier tape						
Quantity	2000pcs						
Direction of feed	E2 (The direction is the 1pin of product is at the upper left when you hold reel on the left hand and you pull out the tape on the right hand)						

## SDIP24



## SSOP-A32



- The contents described herein are correct as of August, 2008
- The contents described herein are subject to change without notice. For updates of the latest information, please contact and confirm with ROHM CO.,LTD.
- Any part of this application note must not be duplicated or copied without our permission.
- Application circuit diagrams and circuit constants contained herein are shown as examples of standard use and operation. Please pay careful attention to the peripheral conditions when designing circuits and deciding upon circuit constants in the set.
- Any data, including, but not limited to application circuit diagrams and information, described herein are intended only as illustrations of such devices and not as the specifications for such devices. ROHM CO.,LTD. disclaims any warranty that any use of such devices shall be free from infringement of any third party's intellectual property rights or other proprietary rights, and further, assumes no liability of whatsoever nature in the event of any such infringement, or arising from or connected with or related to the use of such devices.
- Upon the sale of any such devices, other than for buyer's right to use such devices itself, resell or otherwise dispose of the same, implied right or license to practice or commercially exploit any intellectual property rights or other proprietary rights owned or controlled by ROHM CO., LTD. is granted to any such buyer.
- The products described herein utilize silicon as the main material.
- The products described herein are not designed to be X ray proof.

The products listed in this catalog are designed to be used with ordinary electronic equipment or devices (such as audio visual equipment, office-automation equipment, communications devices, electrical appliances and electronic toys). Should you intend to use these products with equipment or devices which require an extremely high level of reliability and the malfunction of which would directly endanger human life (such as medical instruments, transportation equipment, aerospace machinery, nuclear-reactor controllers, fuel controllers and other safety devices), please be sure to consult with our sales representative in advance.

Contact us for further information about the products.

<b>San Diego</b>	TEL: +1-858-625-3630	FAX: +1-858-625-3670	<b>Tianjin</b>	TEL: +86-22-23029181	FAX: +86-22-23029183
<b>Atlanta</b>	TEL: +1-770-754-5972	FAX: +1-770-754-0691	<b>Shanghai</b>	TEL: +86-21-6279-2727	FAX: +86-21-6247-2066
<b>Boston</b>	TEL: +1-978-371-0382	FAX: +1-928-438-7164	<b>Hangzhou</b>	TEL: +86-571-87658072	FAX: +86-571-87658071
<b>Chicago</b>	TEL: +1-847-368-1006	FAX: +1-847-368-1008	<b>Nanjing</b>	TEL: +86-25-8689-0015	FAX: +86-25-8689-0393
<b>Dallas</b>	TEL: +1-469-287-5366	FAX: +1-469-362-7973	<b>Ningbo</b>	TEL: +86-574-87654201	FAX: +86-574-87654208
<b>Denver</b>	TEL: +1-303-708-0908	FAX: +1-303-708-0858	<b>Qingdao</b>	TEL: +86-532-5779-312	FAX: +86-532-5779-653
<b>Detroit</b>	TEL: +1-248-348-9920	FAX: +1-248-348-9942	<b>Suzhou</b>	TEL: +86-512-6807-1300	FAX: +86-512-6807-2300
<b>Nashville</b>	TEL: +1-615-620-6700	FAX: +1-615-620-6702	<b>Wuxi</b>	TEL: +86-510-82702693	FAX: +86-510-82702992
<b>Mexico</b>	TEL: +52-33-3123-2001	FAX: +52-33-3123-2002	<b>Shenzhen</b>	TEL: +86-755-8307-3008	FAX: +86-755-8307-3003
<b>Düsseldorf</b>	TEL: +49-2154-9210	FAX: +49-2154-921406	<b>Dongguan</b>	TEL: +86-769-8393-3320	FAX: +86-769-8398-4140
<b>Munich</b>	TEL: +49-8999-216168	FAX: +49-8999-216176	<b>Fuzhou</b>	TEL: +86-591-8801-8698	FAX: +86-591-8801-8690
<b>Stuttgart</b>	TEL: +49-711-7272-370	FAX: +49-711-7272-3720	<b>Guangzhou</b>	TEL: +86-20-3878-8100	FAX: +86-20-3825-5965
<b>France</b>	TEL: +33-1-5697-3060	FAX: +33-1-5697-3080	<b>Huizhou</b>	TEL: +86-752-205-1054	FAX: +86-752-205-1059
<b>United Kingdom</b>	TEL: +44-1-908-306700	FAX: +44-1-908-235788	<b>Xiamen</b>	TEL: +86-592-238-5705	FAX: +86-592-239-8380
<b>Denmark</b>	TEL: +45-3694-4739	FAX: +45-3694-4789	<b>Zhuhai</b>	TEL: +86-756-3232-480	FAX: +86-756-3232-460
<b>Espoo</b>	TEL: +358-9725-54491	FAX: +358-9-7255-4499	<b>Hong Kong</b>	TEL: +852-2-740-6262	FAX: +852-2-375-8971
<b>Salo</b>	TEL: +358-2-7332234	FAX: +358-2-7332237	<b>Taipei</b>	TEL: +886-2-2500-6956	FAX: +886-2-2503-2869
<b>Oulu</b>	TEL: +358-8-5372930	FAX: +358-8-5372931	<b>Kaohsiung</b>	TEL: +886-7-237-0881	FAX: +886-7-238-7332
<b>Barcelona</b>	TEL: +34-9375-24320	FAX: +34-9375-24410	<b>Singapore</b>	TEL: +65-6332-2322	FAX: +65-6332-5662
<b>Hungary</b>	TEL: +36-1-4719338	FAX: +36-1-4719339	<b>Philippines</b>	TEL: +63-2-807-6872	FAX: +63-2-809-1422
<b>Poland</b>	TEL: +48-22-5757213	FAX: +48-22-5757001	<b>Thailand</b>	TEL: +66-2-254-4890	FAX: +66-2-256-6334
<b>Russia</b>	TEL: +7-495-739-41-74	FAX: +7-495-739-41-74	<b>Kuala Lumpur</b>	TEL: +60-3-7958-8355	FAX: +60-3-7958-8377
<b>Seoul</b>	TEL: +82-2-8182-700	FAX: +82-2-8182-715	<b>Penang</b>	TEL: +60-4-2286453	FAX: +60-4-2286452
<b>Masan</b>	TEL: +82-55-240-6234	FAX: +82-55-240-6236	<b>Kyoto</b>	TEL: +81-75-365-1218	FAX: +81-75-365-1228
<b>Dalian</b>	TEL: +86-411-8230-8549	FAX: +86-411-8230-8537	<b>Yokohama</b>	TEL: +81-45-476-2290	FAX: +81-45-476-2295
<b>Beijing</b>	TEL: +86-10-8525-2483	FAX: +86-10-8525-2489			

Excellence in Electronics

# ROHM

## ROHM CO., LTD.

21 Saiin Mizosaki-cho, Ukyo-ku, Kyoto  
615-8585, Japan  
TEL: +81-75-311-2121 FAX: +81-75-315-0172  
URL: <http://www.rohm.com>

Published by  
KTC LSI Development Headquarters  
LSI Business Promotion Group

### Notes

- No technical content pages of this document may be reproduced in any form or transmitted by any means without prior permission of ROHM CO.,LTD.
- The contents described herein are subject to change without notice. The specifications for the product described in this document are for reference only. Upon actual use, therefore, please request that specifications to be separately delivered.
- Application circuit diagrams and circuit constants contained herein are shown as examples of standard use and operation. Please pay careful attention to the peripheral conditions when designing circuits and deciding upon circuit constants in the set.
- Any data, including, but not limited to application circuit diagrams information, described herein are intended only as illustrations of such devices and not as the specifications for such devices. ROHM CO.,LTD. disclaims any warranty that any use of such devices shall be free from infringement of any third party's intellectual property rights or other proprietary rights, and further, assumes no liability of whatsoever nature in the event of any such infringement, or arising from or connected with or related to the use of such devices.
- Upon the sale of any such devices, other than for buyer's right to use such devices itself, resell or otherwise dispose of the same, no express or implied right or license to practice or commercially exploit any intellectual property rights or other proprietary rights owned or controlled by
- ROHM CO., LTD. is granted to any such buyer.
- Products listed in this document are no antiradiation design.

The products listed in this document are designed to be used with ordinary electronic equipment or devices (such as audio visual equipment, office-automation equipment, communications devices, electrical appliances and electronic toys).

Should you intend to use these products with equipment or devices which require an extremely high level of reliability and the malfunction of which would directly endanger human life (such as medical instruments, transportation equipment, aerospace machinery, nuclear-reactor controllers, fuel controllers and other safety devices), please be sure to consult with our sales representative in advance.

It is our top priority to supply products with the utmost quality and reliability. However, there is always a chance of failure due to unexpected factors. Therefore, please take into account the derating characteristics and allow for sufficient safety features, such as extra margin, anti-flammability, and fail-safe measures when designing in order to prevent possible accidents that may result in bodily harm or fire caused by component failure. ROHM cannot be held responsible for any damages arising from the use of the products under conditions out of the range of the specifications or due to non-compliance with the NOTES specified in this catalog.

Thank you for your accessing to ROHM product informations.

More detail product informations and catalogs are available, please contact your nearest sales office.

**ROHM** Customer Support System

THE AMERICAS / EUROPE / ASIA / JAPAN

[www.rohm.com](http://www.rohm.com)

Contact us : [webmaster@rohm.co.jp](mailto:webmaster@rohm.co.jp)