

HCMD-10-S-03.00-01-G

(2,54 mm) .100"

# IDC SOCKET & TERMINAL CABLE

## Mates with:

TSW, MTSW, TST, EW,  
BST, ZST, MTLW, TSM,  
EJH-02 (HCSD only)

## SPECIFICATIONS

For complete specifications and recommended PCB layouts see [www.samtec.com?HCSD](http://www.samtec.com?HCSD) or [www.samtec.com?HCSS](http://www.samtec.com?HCSS)

### HCSD, HCSS

**Insulator Material:**

Black Liquid Crystal Polymer

**Flammability Rating:**

UL 94V-0

**Insulation Resistance:**

5000 MΩ

**Temperature Range:**

-20°C to +105°C

(Rainbow Cable)

-40°C to +105°C (Gray Cable)

**Withstanding Voltage:**

1000 VRMS @ 60 Hz

**Contact:** Phosphor Bronze

**Plating:** 10μ" (0,25 μm) Au on contact area, 150μ" (3,81 μm) Sn on balance over 50μ" (1,27 μm) Ni.

**Contact Resistance:**

10 mΩ

**Lead Size Range:**

.024" (0,61 mm) SQ to

.026" (0,66 mm) SQ

**Lead Insertion Depth:**

.185" (4,70 mm) to

.250" (6,35 mm)

**Insertion Force:**

6 oz (1,67 N) average with

.025" (0,64 mm) SQ probe

**Withdrawal Force:**

3 oz (0,83 N) average with

.025" (0,64 mm) SQ probe

**Wire:** 28 AWG 7/36 stranded

Tinned Copper

**RoHS Compliant:** Yes

## SPECIFICATIONS

For complete specifications and recommended PCB layouts see [www.samtec.com?HCMD](http://www.samtec.com?HCMD) or [www.samtec.com?HCMS](http://www.samtec.com?HCMS)

### HCMD, HCMS

**Insulator Material:**

Black Liquid Crystal Polymer

**Flammability Rating:**

UL 94V-0

**Insulation Resistance:**

5000 MΩ

**Temperature Range:**

-55°C to +80°C

**Withstanding Voltage:**

1000 VRMS @ 60 Hz

**Terminal:** Phosphor Bronze

**Plating:**

Sn over 50μ" (1,27 μm) Ni

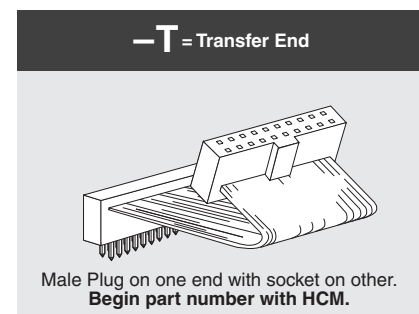
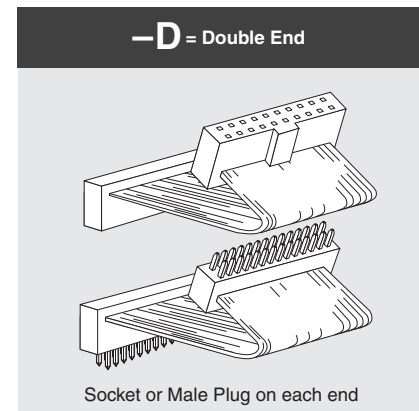
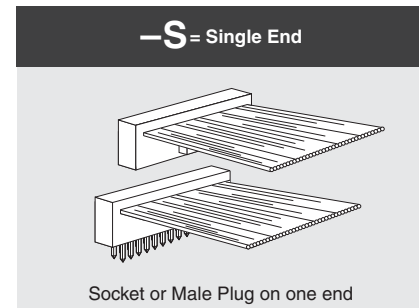
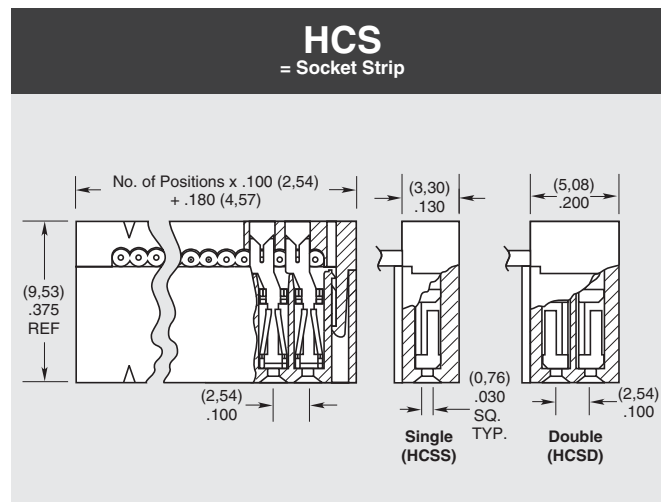
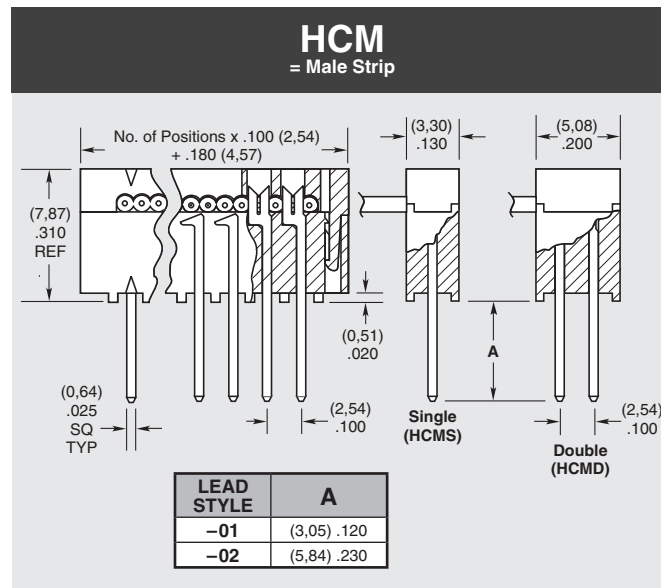
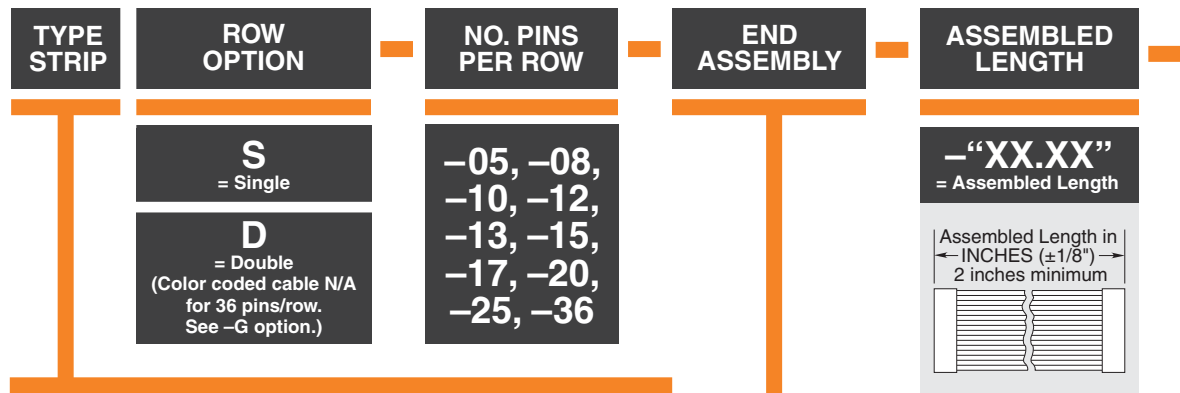
**Wire:** 28 AWG 7/36 stranded

Tinned Copper

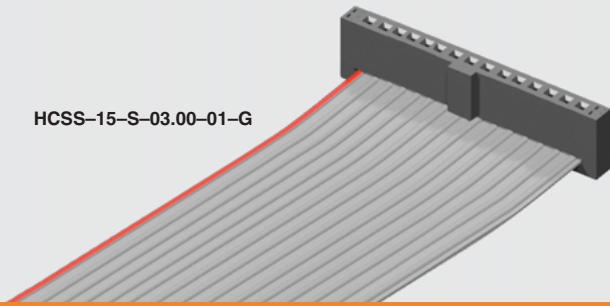
**RoHS Compliant:** Yes

### Note:

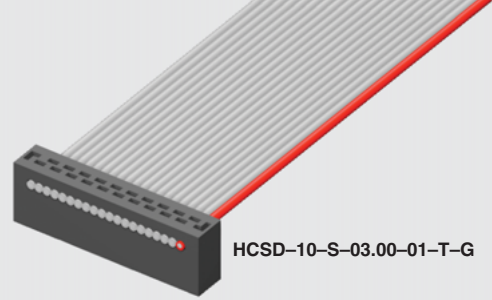
IDC assemblies are non-standard, non-returnable.



HCSS-15-S-03.00-01-G



HCSD-10-S-03.00-01-T-G



**HCMD, HCMS, HCSD, HCSS SERIES**

**LEAD STYLE**

**-01**  
= HCSS/HCSD or  
(3,05 mm) .120" tail for  
HCMS/HCMD

**-02**  
= (5,84 mm) .230" tail  
HCMS/HCMD only

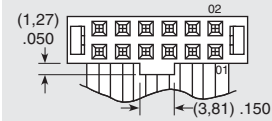
**PLATING OPTION**

**-S**  
= 10µ" (0,25 µm) Gold on contact area or tail,  
Tin on balance  
(Standard on HCSS & HCSD. Leave blank)

**-T**  
= Tin  
(Standard on HCMS & HCMD. Leave blank)

**NOTCH POLARIZATION**

**-N** = Notch Polarization

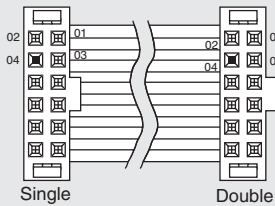


Required for HCSS and HCSD.  
(Not available on HCMS or HCMD,  
unless Transfer, then only the  
socket is polarized.)

**OTHER OPTIONS**

**-P "XX"**

= Position Polarization



Specify "XX" as position. For Double  
the same position will be polarized  
on both ends. (Not available on  
HCM, unless Transfer, then only the  
socket is polarized)

**-G**

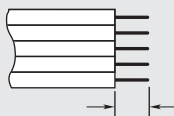
= Gray Cable

Standard cable is color coded. Specify  
-G for Gray cable with one red edge.

**-ST "X"**

= Stripped & Tinned

Specify Suffix from table. All  
dimensions are ± 1/16" (1,59 mm). Not  
available in 28 positions and higher.

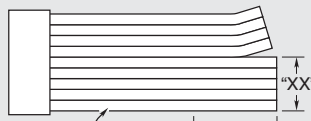


<b>-ST8</b>	1/8" (3,18)
<b>-ST4</b>	1/4" (6,35)
<b>-ST2</b>	1/2" (12,70)
<b>-ST3</b>	3/8" (9,53)

**-B "XX"**

= Breakout

Specify "XX" as number of  
conductors to be broken out.



Breakout starts with Number 1  
lead indicated by brown wire or  
red stripe. Shown on top side.

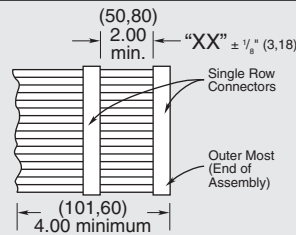
**-RW**

= Reversed Wiring

#1 wire opposite position #1

**-S "XX"**

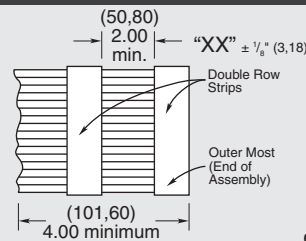
= Daisy Chain Single



When mating double row connector  
with two single row connectors, the  
outer most single will be connected  
to Conductor #1 and the inside single  
to Conductor #2.

**-D "XX"**

= Daisy Chain, Double



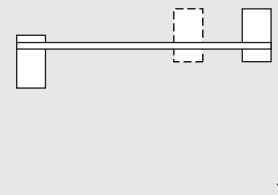
**-W "XX"**

= Wiring Reversed  
Daisy Chain, Single

Same as -S "XX" except outer strip  
connected to conductor #2 and inside  
strip connected to conductor #1.

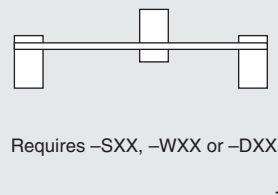
**-R**

= Reversed



**-M**

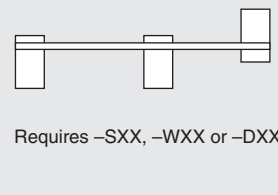
= Middle Reversed



Requires -SXX, -WXX or -DXX

**-O**

= Outside Reversed



Requires -SXX, -WXX or -DXX