

IEC Appliance Inlet C20 with Filter, ECO design, front or rear side Mounting

Standard- or Medical-Filter

new



Screw-on or rivet mounting from front or rear side  
Screw-on Version

Screw-on mounting from rear side, integrated thread  
Screw-on Version

Snap-in mounting from front side  
Snap-In Version



### Description

- Panel Mount:  
Screw-on version from front or rear side, snap-in version from front side
- 2 Functions:  
Appliance Inlet Protection class I, Line filter in standard and medical version
- Quick connect terminals

### Approvals

- VDE Certificate Number: 104884
- UL File Number: E72928

### Characteristics

- Optimal shielding due to completely closed filter case, unpotted  
Suitable for assembly in metal plated plastic housings
- Version with class X1 and X2 (standard version) capacitors
- Universal line filter for standard applications  
Designed for standard and medical applications
- Suitable for use in equipment according to IEC/UL 60950  
Suitable for use in medical equipment according to IEC/UL 60601-1

### Other versions on request

- Solder terminals
- Medical version M80
- Capacity CX 330 nF

### References

Fits to type: 4790; 4795 0104; 0104U; 1651; 1652; 1654; 4790; 4795; VAC19KS

Alternative: Standard version

Alternative: version without line filter 4793; 4798

### Weblinks

[pdf-datasheet](#), [html-datasheet](#), [General Product Information](#), [Approvals](#), [CE declaration of conformity](#), [RoHS](#), [CHINA-RoHS](#), [REACH](#), [Mating Connectors](#), [e-Shop](#), [SCHURTER-Stock-Check](#), [Distributor-Stock-Check](#), [CAD-Drawings](#), [Accessories](#), [Wire Harnessing](#), [Detailed request for product](#)

Newly available variants corresponding to V-Lock mating cordset. The connector is equipped with a notch intended for use with the latching cordset. The cord latching system prevents against accidental removal of the cordset.

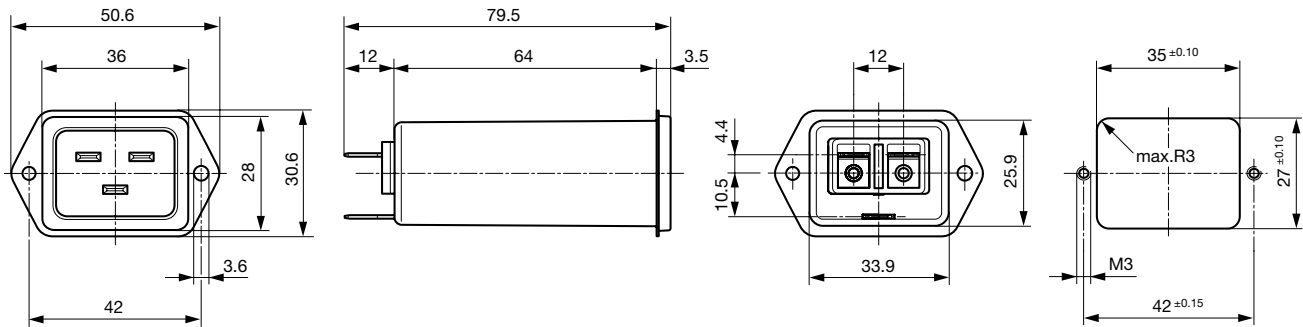
### Technical Data

Ratings IEC	16A @ Ta 40 °C / 250VAC; 50Hz
Ratings UL/CSA	20A @ Ta 40 °C / 250VAC; 60Hz
Leakage Current	standard < 0.5 mA (250 V / 60 Hz) medical < 5 µA (250 V / 60 Hz)
Dielectric Strength	> 1.7 kVDC between L-N > 2.7 kVDC between L/N-PE Test voltage (2 sec)
Impulse Withstand Voltage	> 2.5 kV between L-N (CX2) > 4 kV between L-N (CX1) > 5 kV between L/N-PE (Cy2) voltage (1.2/50 µs)
Allowable Operation Temp.	-25 °C to 85 °C
Climatic Category	25/085/21 acc. to IEC 60068-1
Degree of Protection	from front side IP 40 acc. to IEC 60529
Protection Class	Suitable for appliances with protection class I acc. to IEC 61140
Terminal	Quick connect terminal 6.3 x 0.8 mm
Panel Thickness s	Screw: max 8 mm Mounting screw torque max 0.5 Nm Snap-in: 0.8 mm to 3 mm (all steps with one variant)
Material: Housing	Themoplast / steel tin-plated, black / metallic, UL 94V-0

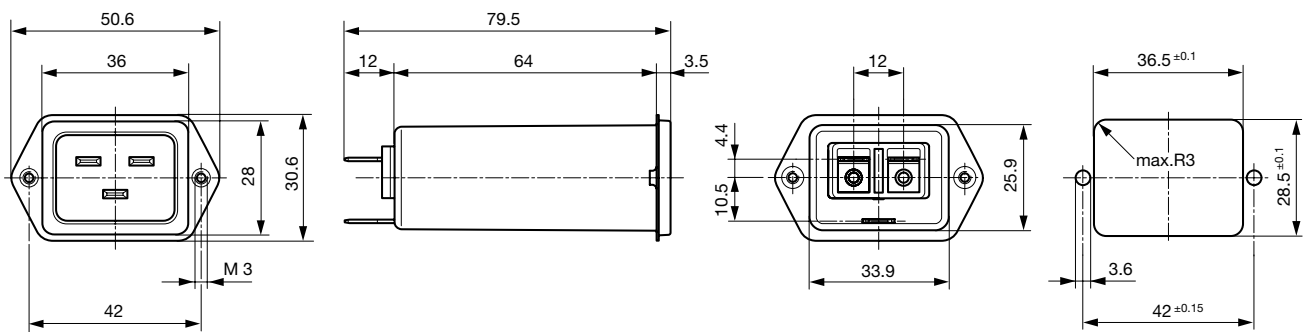
Appliance-Inlet/-Outlet	C20 acc. to IEC 60320, UL 498, CSA C22.2 no. 42 (for cold conditions) pin-temperature 70 °C, 16A, Protection Class I
Line Filter	Standard and Medical Version, IEC 60939, UL 1283, CSA C22.2 no. 8 <a href="#">Technical Details</a>
MTBF	> 3'000'000 h acc. to MIL-HB-217 F

**Dimension**

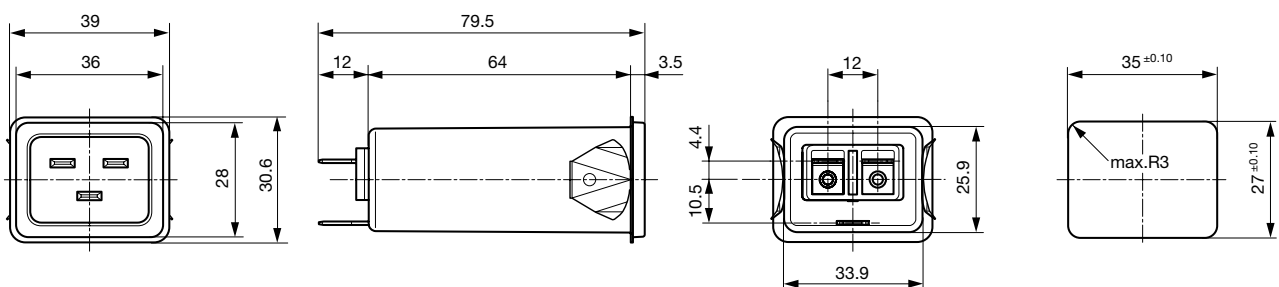
Front or rear side mounting for screws with nuts or blind rivets



Rear side mounting with pre-formed, threaded holes for M3 screws



Snap-in mounting from front side



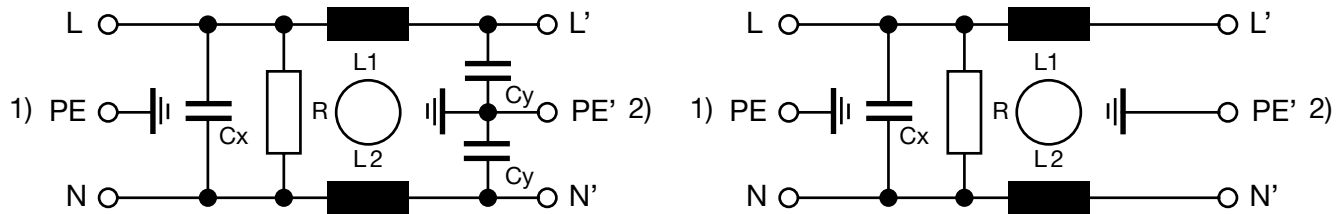
Technical Data of Filter-Components

Rated Current [A]	Filter-Type	Inductances L [mH]	Capacitance CX [nF]	Capacitance CY [nF]	R [MΩ]
16	Standard Version	2 x 0.6	100	2.2	1
20	Standard Version	2 x 0.3	100	2.2	1
16	Medical Version (M5)	2 x 0.6	100	-	1
20	Medical Version (M5)	2 x 0.3	100	-	1

Diagrams

Standard or medical version (M80)

Medical version (M5)



1) Line  
2) Load

1) Line  
2) Load

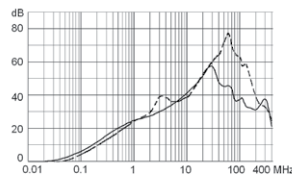
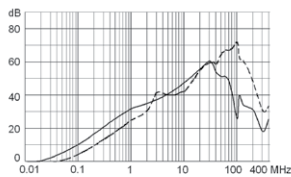
Attenuation Loss

--- differential mode    \_\_\_\_ common mode

Standard version

16 A

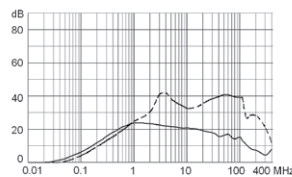
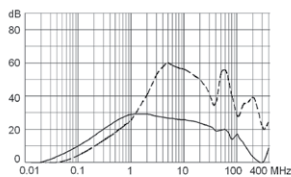
20 A



Medical version (M5)

16 A

20 A



All Variants

Rated Current IEC [A]	Rated Current UL [A]	Filter-Type	Panel mounting	Mounting side	Terminal	Capacitor	Order Number
16	16	Standard Version	Snap-in	Front Side	Quick connect terminals 6.3 x 0.8	X2 100nF	5130.2000
16	20	Standard Version	Snap-in	Front Side	Quick connect terminals 6.3 x 0.8	X2 100nF	5130.2001
16	16	Standard Version	Snap-in	Front Side	Quick connect terminals 6.3 x 0.8	X1 100nF	5130.2100
16	20	Standard Version	Snap-in	Front Side	Quick connect terminals 6.3 x 0.8	X1 100nF	5130.2101
16	16	Standard Version	Screw-on/Rivet	Front Side	Quick connect terminals 6.3 x 0.8	X2 100nF	5130.0000
16	16	Standard Version	Screw-on/Rivet	Front Side	Quick connect terminals 6.3 x 0.8	X2 100nF	5130.0000.21
16	20	Standard Version	Screw-on/Rivet	Front Side	Quick connect terminals 6.3 x 0.8	X2 100nF	5130.0001
16	16	Standard Version	Screw-on/Rivet	Front Side	Quick connect terminals 6.3 x 0.8	X1 100nF	5130.0100
16	20	Standard Version	Screw-on/Rivet	Front Side	Quick connect terminals 6.3 x 0.8	X1 100nF	5130.0101
16	16	Standard Version	Screw	Rear Side	Quick connect terminals 6.3 x 0.8	X2 100nF	5130.1000
16	20	Standard Version	Screw	Rear Side	Quick connect terminals 6.3 x 0.8	X2 100nF	5130.1001

Rated Current IEC [A]	Rated Current UL [A]	Filter-Type	Panel mounting	Mounting side	Terminal	Capacitor	Order Number
16	16	Standard Version	Screw	Rear Side	Quick connect terminals 6.3 x 0.8	X1 100nF	5130.1100
16	20	Standard Version	Screw	Rear Side	Quick connect terminals 6.3 x 0.8	X1 100nF	5130.1101
16	20	Medical Version (M5)	Snap-in	Front Side	Quick connect terminals	X1 100nF	5130.2301
16	16	Medical Version (M5)	Snap-in	Front Side	Quick connect terminals 6.3 x 0.8	X2 100nF	5130.2200
16	20	Medical Version (M5)	Snap-in	Front Side	Quick connect terminals 6.3 x 0.8	X2 100nF	5130.2201
16	16	Medical Version (M5)	Snap-in	Front Side	Quick connect terminals 6.3 x 0.8	X1 100nF	5130.2300
16	16	Medical Version (M5)	Screw-on/Rivet	Front Side	Quick connect terminals 6.3 x 0.8	X2 100nF	5130.0200
16	20	Medical Version (M5)	Screw-on/Rivet	Front Side	Quick connect terminals 6.3 x 0.8	X2 100nF	5130.0201
16	16	Medical Version (M5)	Screw-on/Rivet	Front Side	Quick connect terminals 6.3 x 0.8	X1 100nF	5130.0300
16	16	Medical Version (M5)	Screw-on/Rivet	Front Side	Quick connect terminals 6.3 x 0.8	X1 100nF	5130.0300.21
16	20	Medical Version (M5)	Screw-on/Rivet	Front Side	Quick connect terminals 6.3 x 0.8	X1 100nF	5130.0301
16	16	Medical Version (M5)	Screw	Rear Side	Quick connect terminals 6.3 x 0.8	X2 100nF	5130.1200
16	20	Medical Version (M5)	Screw	Rear Side	Quick connect terminals 6.3 x 0.8	X2 100nF	5130.1201
16	16	Medical Version (M5)	Screw	Rear Side	Quick connect terminals 6.3 x 0.8	X1 100nF	5130.1300
16	20	Medical Version (M5)	Screw	Rear Side	Quick connect terminals 6.3 x 0.8	X1 100nF	5130.1301

Most Popular.

Availability for all products can be searched real-time: <http://www.schurter.com/en/Stock-Check/Stock-Check-SCHURTER>

Type for screw on mounting from rear side has pre-threaded holes for M3 screws

Suffix ".21" corresponds to the version with V-Lock mating cordset. The connector is equipped with a notch intended for use with the latching cordset. The cord latching system prevents against accidental removal of the cordset.

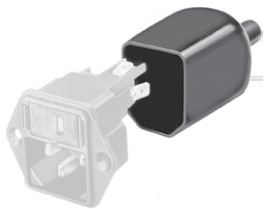
**Packaging unit** 20 Pcs

## Accessories

### Description



**Wire Harness**  
Wire harness for SCHURTER products



**Assorted Covers**  
Rear Cover

0859.0047



**Cord retaining kits**  
Cord retaining strain relief

Flat head, L

4700.0011

### Mating Inlets/Plugs

Category / Description



[Connector Overview complete](#)

IEC Connector C19, Rewireable, Straight	4795
IEC Connector C19, Rewireable, Angled	4790

[Connector further types to 5130](#)

### Mating Outlets/Connectors



[Connector Overview complete](#)

IEC Connector C19, Rewireable, Straight	4795
IEC Connector C19, Rewireable, Angled	4790
IEC Connector C19, Rewireable, Straight	0104U

[Connector further types to 5130](#)

### Mating Outlets/Connectors shuttered



[Power Cord Overview complete](#)

Overview Power Cord with IEC Appliance Connector C19, V-Lock, straight	VAC19KS
--	---------

[Power Cord further types to 5130](#)