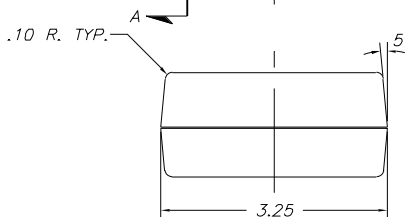
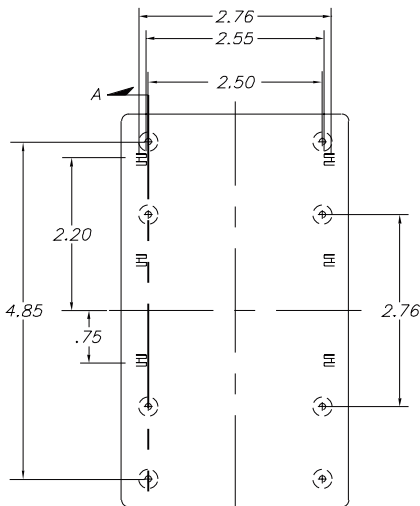
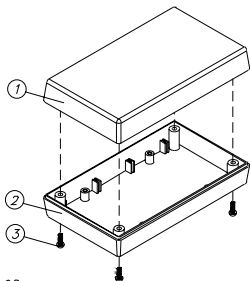
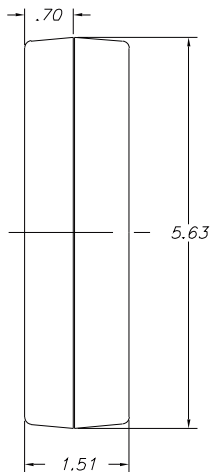
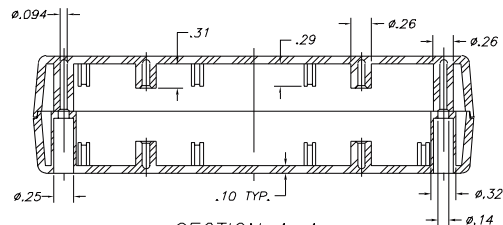
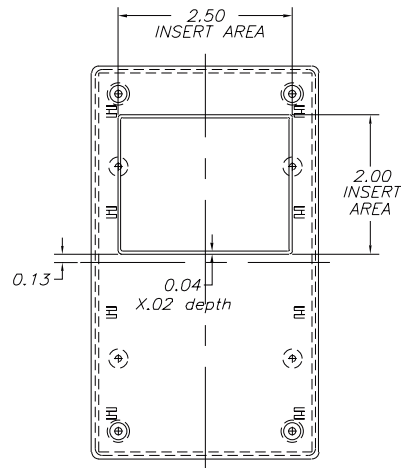


SERPAC 151

Electronics Enclosures



NOTES:
1. WHEN MACHINE OR I PLATES MODIFICATIONS ARE REQUIRED, USE THE CENTER OF THE BOX TO DIMENSION.



SECTION A-A

8-17-98.

ALL DIMENSIONS ± .010

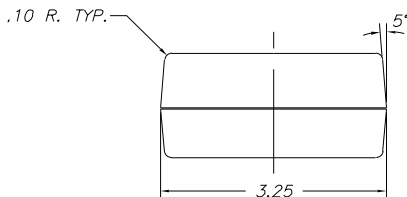
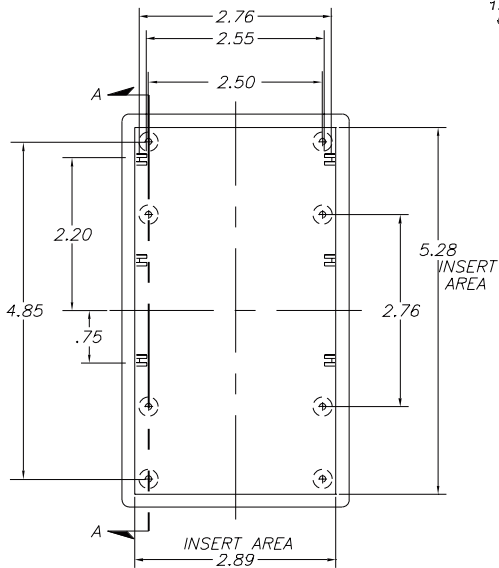
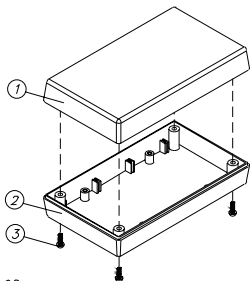
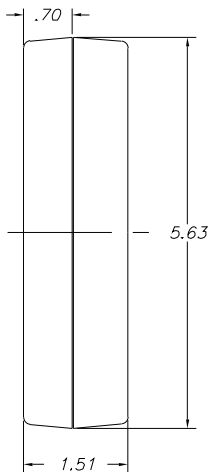
ITEM	PART NO.	DESCRIPTION	PART NO.	DESCRIPTION
1	51	PLASTIC TOP		
2	15	PLASTIC BOTTOM		
3	6005	SCREWS (4)		
			50	FEET
			350	PROTOTYPE GRID BOARD (HORIZ.)
			450	PROTOTYPE CLAD BOARD (HORIZ.)
			351	PROTOTYPE GRID BOARD (VERT.)
			451	PROTOTYPE CLAD BOARD (VERT.)
			PS-15	PERIMETER SEAL
			PC	POCKET CLIP

619 Commercial Ave. Covina, CA 91723

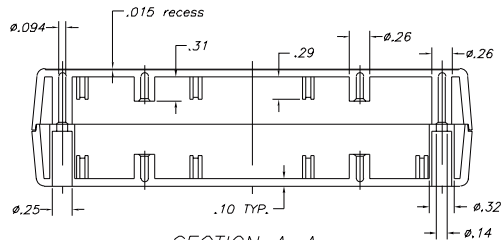
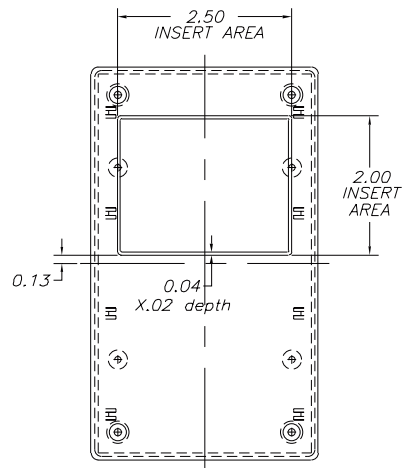
(626) 331-0517 Fax (626) 331-8584 <http://www.serpac.com>.

SERPAC 151-I

Electronics Enclosures



NOTES:
1. WHEN MACHINE OR I PLATES MODIFICATIONS ARE REQUIRED, USE THE CENTER OF THE BOX TO DIMENSION.



8-17-98.

ALL DIMENSIONS ± .010

ITEM	PART NO.	DESCRIPTION	ACCESSORIES	
1	511	PLASTIC TOP	PART NO.	DESCRIPTION
2	15	PLASTIC BOTTOM	50	FEET
3	6005	SCREWS (4)	350	PROTOTYPE GRID BOARD (HORIZ.)
			450	PROTOTYPE CLAD BOARD (HORIZ.)
			331	PROTOTYPE GRID BOARD (VERT.)
			431	PROTOTYPE CLAD BOARD (VERT.)
			PS-15	PERIMETER SEAL
			PC	POCKET CLIP

619 Commercial Ave. Covina, CA 91723

(626) 331-0517 Fax (626) 331-8584 <http://www.serpac.com>