

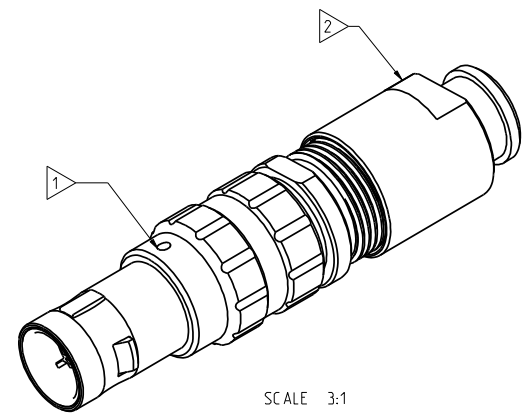
DWG. NO.  
**JBXFD0G04MSSDSMRC**

THIS DRAWING IS A CONTROLLED DOCUMENT FOR SOURIAU USA, INC. CONTACT THE DOCUMENT CONTROL CENTER FOR THE LATEST REVISION.

C

B

THE INFORMATION CONTAINED IN THIS DRAWING IS CONFIDENTIAL AND MAY NOT BE DISCLOSED WITHOUT WRITTEN CONSENT FROM SOURIAU USA, INC.

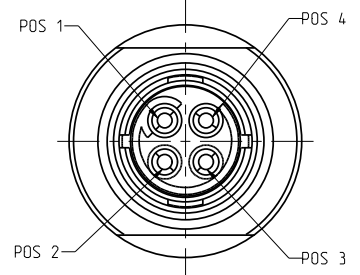


SCALE 3:1

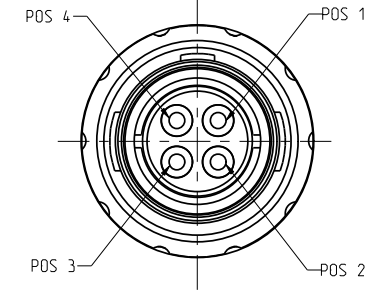
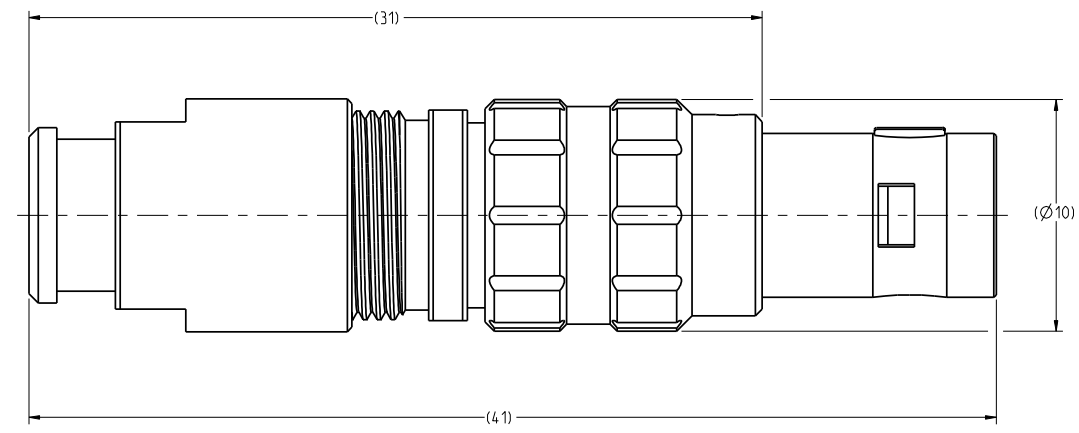
NOTES:  
 1 > RED DOT.  
 MATERIAL:  
 OUTER SHELL & COLLET NUT : } BRASS CuZn40Pb3 (C38500/C36000)  
 LATCHING SLEEVE :  
 HALF BUSHES :  
 PIN CONTACT (SOLDER) : BRASS CuZn35Pb2 (C35300/C36000)  
 INSULATOR : PEEK WITH 15% GLASS FILLED, COLOR BROWN  
 COLLET : PA6/6 WITH MoS2, COLOR BLACK  
 FINISH:  
 OUTER SHELL & COLLET NUT : CHROME OVER NICKEL UNDERCOAT  
 OTHER BRASS PARTS EXCEPT PIN CONTACTS : NICKEL  
 PIN CONTACTS : GOLD AS PER MIL-G-45204C TYPE 1.CLASS 00.  
 2 > CONNECTOR WITH BACKNUT FOR PROTECTIVE BOOT - PROTECTIVE BOOT TO ORDER SEPARATELY.

D

C



WIRE SIDE VIEW  
(‘COLLET SET’ NOT SHOWN)



MATING SIDE VIEW

B

A	RELEASED PER ECN 11334	SSF 01-18-11	SDH 01-18-11
REV	DESCRIPTION	BY DATE	CHKD DATE

DRAWING TITLE  
**JBX, SIZE O, 04 POSITION, MALE STRAIGHT PLUG**

CAT NO.: **JBXFD0G04MSSDSMR**

LINEAR MEASURE:	<input checked="" type="checkbox"/> INCH <input type="checkbox"/> MM (INCH)
THIRD ANGLE PROJECTION	
TOLERANCES UNLESS OTHERWISE SPECIFIED	
No. OF PLACES	mm (INCH)
WHOLE No.	±0.5 (±.02)
ONE PLACE	±0.2 (±.008)
TWO PLACES	±0.1 (±.004)
ANGLES ±1°	

CAGE NO: 09922      SIZE: C

**CUSTOMER**  
 INTERPRET THIS DRAWING IN ACCORDANCE WITH ASME Y14.5M - 1994.



DRAWN:	TJS	12-18-10
CHKD:	TW	12-18-10
DSGN:	XXX	mm-dd-yy
MFG:	DH	12-18-10
QC:	DK	12-18-10
DRAWING SCALE:		5:1
DRAWING NO.	REV	
JBXFD0G04MSSDSMRC	A	
1 OF 2		

A

4

3

2

1

PRO-E

DWG. NO.  
JBXFD0G04MSSDSMRC

THIS DRAWING IS A CONTROLLED DOCUMENT FOR SOURIAU USA, INC. CONTACT THE DOCUMENT CONTROL CENTER FOR THE LATEST REVISION.

C

**ELECTRICAL:**

EMI SHIELDING : SHIELDED FOR THE RANGE 55dB UP TO 100MHz

INSULATION RESISTANCE : >500MΩ PER ANSI-E1A-364-D METHOD 21

MAX. CURRENT RATING : (SEE TABLE 1) MAXIMUM CURRENT THAT CAN BE APPLIED SIMULTANEOUSLY ON EACH LINE OF THE CONNECTOR MATED PAIR, CONTINUOUSLY DURING ITS LIFE TIME IN NORMAL CLIMATIC CONDITIONS.

CONNECTOR TESTING : 1400Vrms VOLTAGE TEST VOLTAGE IS APPROXIMATELY 75% OF THE DWV VOLTAGE AT NORMAL CLIMATIC CONDITIONS. THIS VOLTAGE CAN BE ACHIEVED SEVERAL TIMES, BUT NOT APPLIED CONTINUOUSLY.

CONNECTOR WORKING : 660/460 (Vdc/ Vrms) VOLTAGE WORKING VOLTAGE IS APPROXIMATELY 1/3 OF THE TEST VOLTAGE. THIS VOLTAGE IS SUSTAINABLE FOR THE LIFE OF THE CONNECTOR IN ITS WORKING ENVIRONMENT.

**PHYSICAL:**

MAXIMUM WIRE SIZE USED : 26 AWG

CABLE DIAMETER WITH PLASTIC : Ø1.5mm MIN. TO Ø5.5mm MAX. COLLET SET SUPPLIED

**ENVIRONMENTAL:**

ENDURANCE: 500 CYCLES AS PER MIL-STD 1344A, METHOD 2016.1

SHOCK: 50 g . DURATION 6 ms: AS PER MIL-STD 1344A, METHOD 2004.1

VIBRATIONS: 10 TO 2000Hz γ = 15g, AS PER MIL-STD 1344A, METHOD 2005.1

PROTECTION INDEX: IP 40 AS PER CEI 529

OPERATING TEMPERATURE: WITH PLASTIC COLLETS: -55°C TO +125°C (-67°F TO +257°F)

WITH OPTIONAL METALLIC COLLETS: -55°C TO +200°C (-67°F TO +392°F) (ONLY ON REQUEST)

B

PIN CONTACT

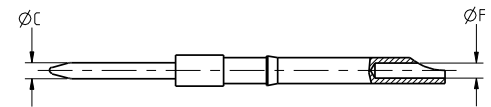


TABLE 1						
CONTACT		USABLE CABLES			MAX. CURRENT RATING (A)	CONTACT RESISTANCE (mΩ)
ØC	ØF	CORE SECTION (mm <sup>2</sup> )		AWG		
		MIN.	MAX.			
0.7	0.7	-	0.30	26	7	5

THE INFORMATION CONTAINED IN THIS DRAWING IS CONFIDENTIAL AND MAY NOT BE DISCLOSED WITHOUT WRITTEN CONSENT FROM SOURIAU USA, INC.

DRAWING TITLE  
**JBX, SIZE O, 04 POSITION, MALE STRAIGHT PLUG**

CAT NO.: **JBXFD0G04MSSDSMR**

CAGE NO: 09922 SIZE: C

LINEAR MEASURE:		(INCH)	(INCH)
THIRD ANGLE PROJECTION			
TOLERANCES UNLESS OTHERWISE SPECIFIED			
No. OF PLACES	mm (INCH)		
WHOLE No.	±0.5 (±.02)		
ONE PLACE	±0.2 (±.008)		
TWO PLACES	±0.1 (±.004)		
ANGLES	±1°		

**CUSTOMER**

INTERPRET THIS DRAWING IN ACCORDANCE WITH ASME Y14.5M - 1994.



DRAWN:	TJS	12-18-10
CHKD:	TW	12-18-10
DSGN:	XXX	mm-dd-yy
MFG:	DH	12-18-10
QC:	DK	12-18-10
DRAWING SCALE: 5:1		
DRAWING NO.	REV	
JBXFD0G04MSSDSMRC	A	
2 OF 2		