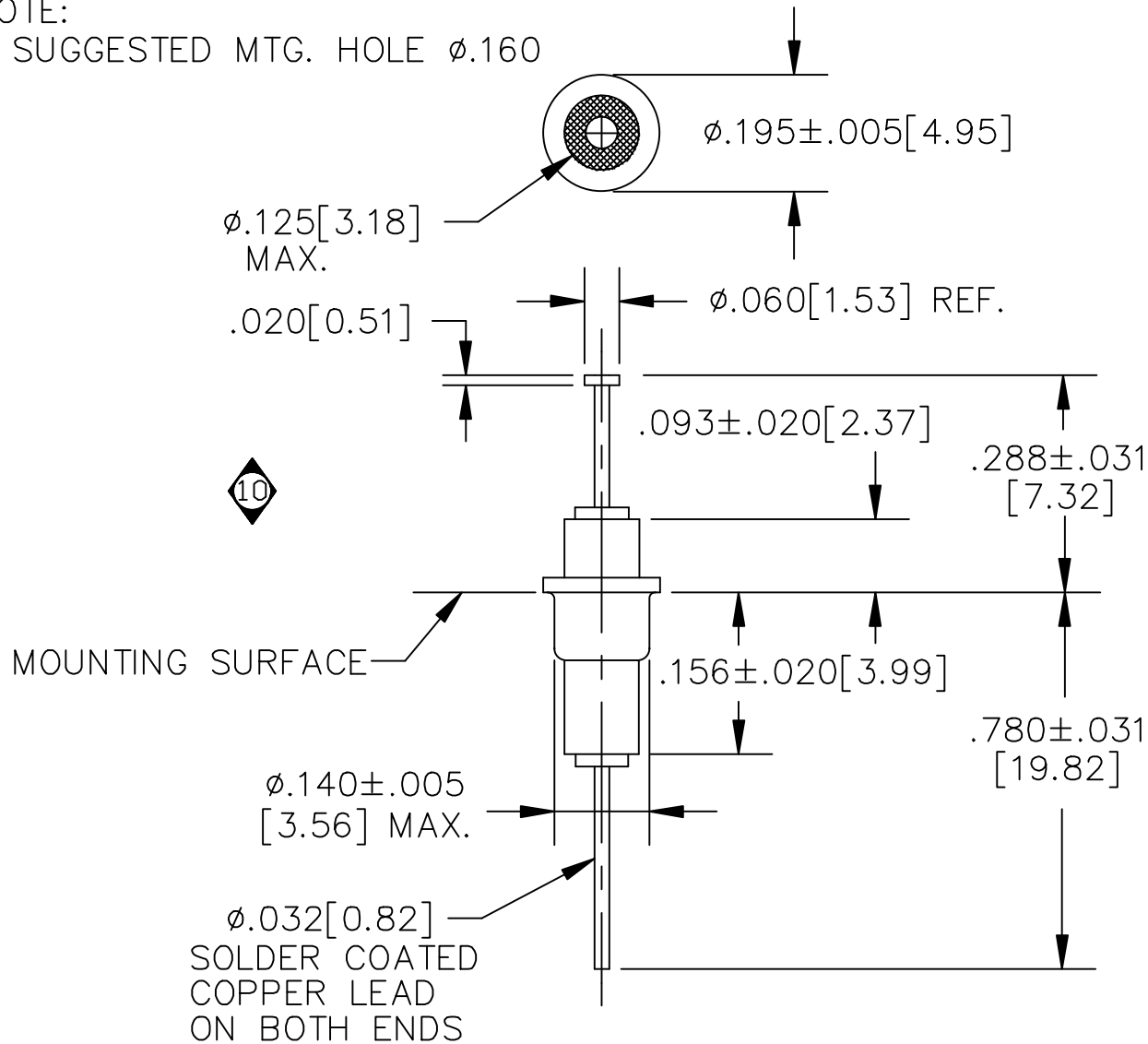


NOTE:
SUGGESTED MTG. HOLE $\phi.160$



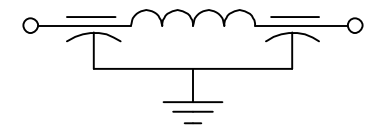
CAPACITANCE	1750pF GMV
TEMP. RANGE	-55°C TO 125°C
CURRENT	10 AMP MAX.
WORKING VOLTAGE	85°C: 250 VDC 125°C: 200 VDC

D.C.R.=.01 Ohms MAX.

I.L. PER MIL-STD-220


FREQ. MHz	I.L. (db)
10	5
50	N/A
100	50
500	N/A
1 GHz	60

SCHEMATIC



MARKING:

PART: NONE
BAG:
1214-001
DATE CODE
QTY./BAG (200 MAX.)

REV. NO.	10	9	8	7	6	5	REV. NO.	TOLERANCES UNLESS OTHERWISE SPECIFIED	 SPECTRUM CONTROL INC.	FAIRVIEW PENNSYLVANIA	
CHANGE NOTICE	CN 13657-CPD	CN 210694	CN 202455 REDRAWN	CN 201264	CN 191480	CN 184998		Fractions $\pm 1/64$			Dwn. KRDZALIC
								Dec. .xx \pm		Date 8/12/04	SOLDER-IN FILTER
								Dec. .xxx \pm .015		Engr GRUNAUER	1214-001
								Angles $\pm 0^\circ 30'$		Scale N.T.S.	
								CODE IDENT. NO. OLSP2			