

**NOTES:**

1. ALL DIMENSIONS FOR REFERENCE ONLY.
2. MATERIALS:  
HOUSING AND END PANELS - ALUMINUM, BLACK ANODIZED  
COMPONENT PANELS - ALUMINUM, BLUE ANODIZED
3. LASER ETCHED WHITE TEXT AND ARTWORK.
4. THIS PRODUCT IS RoHS COMPLIANT.

**CUSTOMER DRAWING**

UNLESS OTHERWISE SPECIFIED					THIS DRAWING DESCRIBES A DESIGN CONSIDERED PROPRIETARY IN NATURE, DEVELOPED AND MANUFACTURED BY SWITCHCRAFT INC. AND IS RELEASED ON A CONFIDENTIAL BASIS FOR IDENTIFICATION PURPOSES ONLY.				
1. ALL DIMENSIONS IN INCHES					SIZE *	WIDTH *	MULT *	LBS/M *	TEMPER *
- TWO PLACE DECIMALS ±0.02					FINISH *				MATERIAL *
- THREE PLACE DECIMALS ±0.005					SPEC No. *				SPEC No. *
					FIRST USED ON		SCALE 1:1		
DATE DRAWN		BY	CHKD	APVD	DATE		SCALE		
3/2/10		BHM	TJK	BHM	7-20-10		8-10-10		
NAME					INSTRUMENT DIRECT BOX				PART No. SC800CT
REVISIONS					DO NOT SCALE DRAWING				REV A



# SC800CT Instrument Direct Box

## Audio Specifications

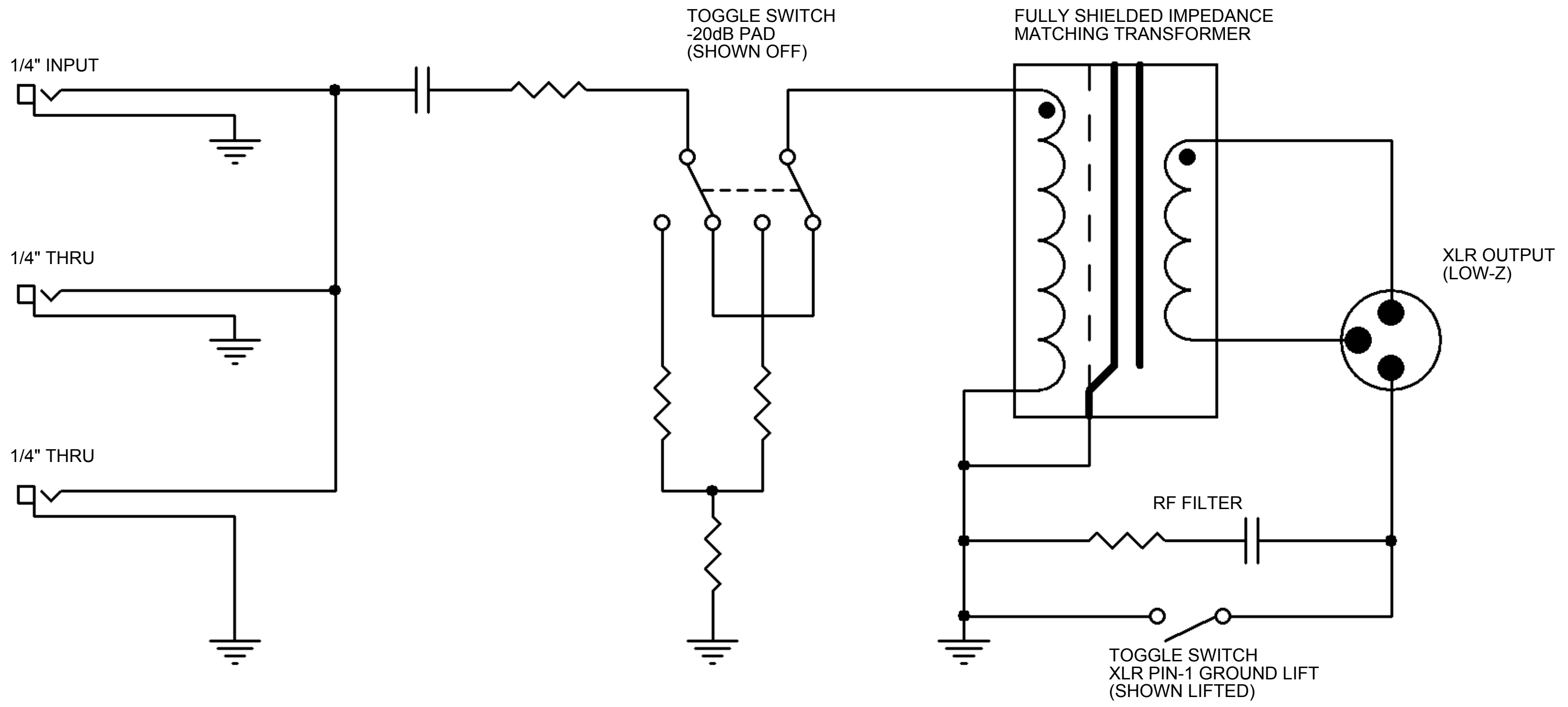
# Switchcraft®

Parameter	Performance	Conditions
Frequency Response	20Hz - 20kHz	+/-0.3dB, ref 1kHz
Total Harmonic Distortion + Noise	< 0.007% < 0.15%	at 1kHz, +4dBu Input, 22kHz Bandwidth at 20Hz, +4dBu Input, 22kHz Bandwidth
Maximum Input Level	+19dBu	at 20Hz with 1% THD+Noise
Input Impedance	> 120kΩ	at 1kHz
Output Impedance	< 20Ω	at 1kHz
Common Mode Rejection Ratio (CMRR)	> 92dB	at 60Hz
Deviation from Linear Phase	< 4° < 1° < 9°	at 20Hz at 1kHz at 20kHz
Voltage Gain	-22dB -42dB	+/-1dB +/-1dB with 20dB pad engaged
Pad Attenuation	20dB	+/-1dB

Notes: All measurements were taken with a 25Ω unbalanced source and measured from the XLR with a 1kΩ balanced load.  
Specifications subject to change without notice.

CUSTOMER DRAWING

SCALE 1:1	Switchcraft®	
DATE DRAWN 3/2/10		
DRAWN BY BHM	PART No. SC800CT	REV A



CUSTOMER DRAWING

SCALE 1:1	Switchcraft®	
DATE DRAWN 3/2/10		
DRAWN BY BHM	PART No. SC800CT	REV A

# Mouser Electronics

Authorized Distributor

Click to View Pricing, Inventory, Delivery & Lifecycle Information:

[Switchcraft:](#)

[SC800CT](#)