



MODEL NUMBER
PL5.0-XX-130B

REVISION -
10/22/99 TS

A. Electrical Specifications (@ 25°C)

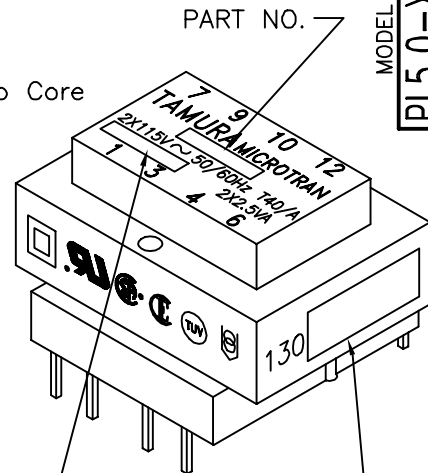
1. Maximum Power; 5.0VA
2. Input Voltage and Frequency; 115/230V 50/60Hz
3. Voltage Regulation; 20% TYP @ full load to no load
4. Temperature Rise; 30°C TYP (45°C MAX allowed)
5. Insulation Resistance;
100MΩ MIN @ 500VDC, Pri to Sec, Pri to Core, Sec to Core
6. Hi-Pot; 3500Vrms 1 minute @ Pri to Sec
1500Vrms 1 minute @ Pri to Core
1500Vrms 1 minute @ Sec to Core

B. Marking; TAMURA, MICROTRAN, part number (see tabulation), date code, country of origin, terminal numbers and input and output ratings

C. Safety:

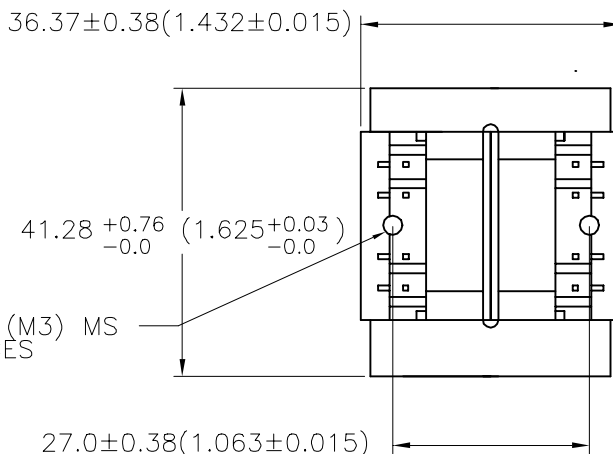
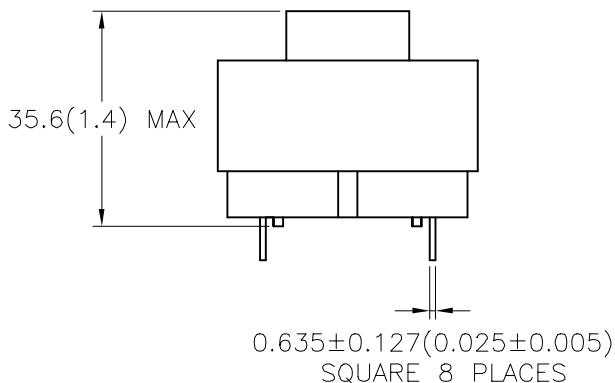
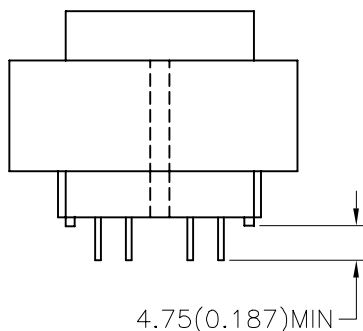
- CSA File Nos. LR69222 and LR69223
- UL 1411 File No. E138028 Construction only
- UL 506, General Purpose, File No. E79781.
- Insulation Class B (130°C) File No. E92957
- TUV File 810/89 (EN60950, and VDE 0551)

D. Mechanical Specifications;



OUTPUT
(See tabulation)

Date code and
country of origin



CLEARANCE HOLE FOR 4-40 (M3) MS
ø2.87(0.113) MIN. 2 PLACES

TOLERANCES (mm)	
≦ 4	± 0.2
4 < ≦ 20	± 0.3
20 < ≦ 50	± 0.4

PREPARED BY:

D. Rund

ENGINEER:
T. Shiozawa

DWG CONTROL NO. P-A1-12225
ACAD\MXFMR\A1122251.DWG

REV -

POWER TRANSFORMER

PL5.0-XX-130B

QUALITY CONTROL:
D. Kelley

CONTENTS OF THIS DRAWING ARE SUBJECT TO CHANGE WITHOUT PRIOR NOTICE

TAMURA CORPORATION OF AMERICA
43352 BUSINESS PARK DRIVE, TEMECULA, CA. 92590-6624

MODEL SPECIFICATION

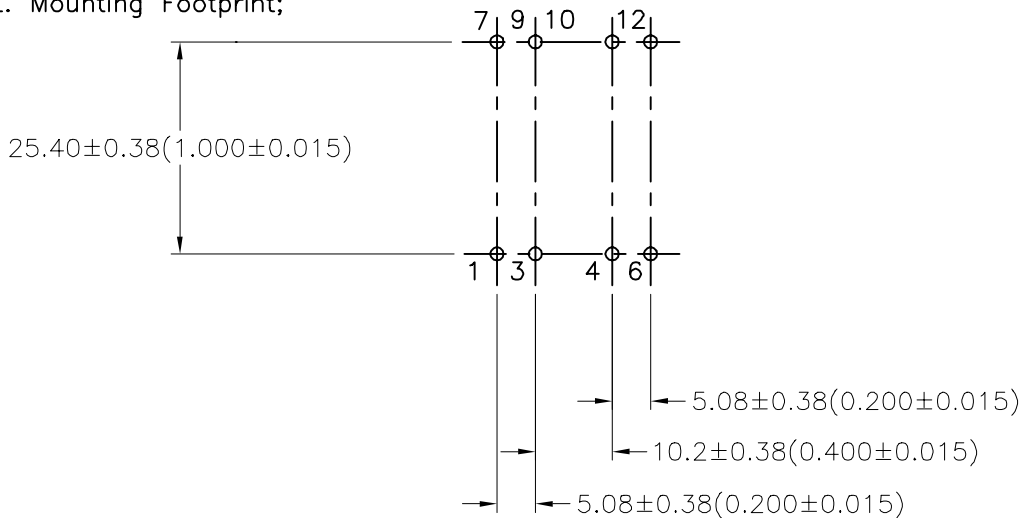
DIM: mm(in) SCL: None SH: 1 OF 2

APPROVED:
D. Kelley

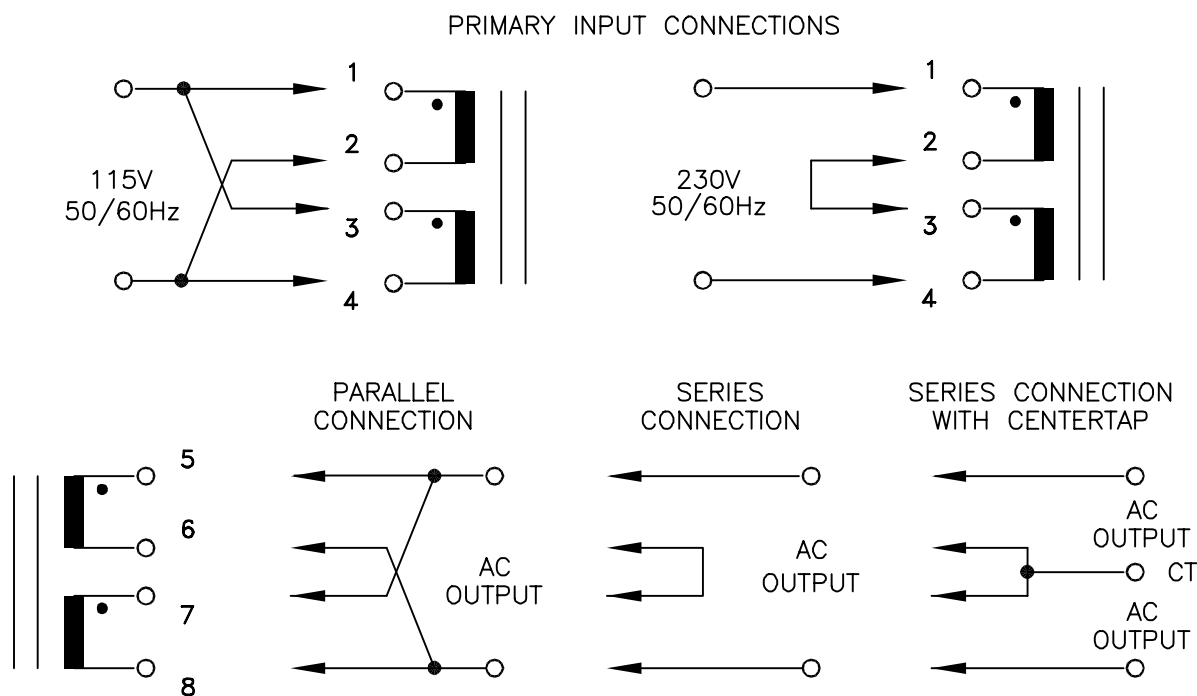
PROPRIETARY NOTICE: THIS DRAWING PRINT OR DOCUMENT AND SUBJECT MATTER DISCLOSED HEREIN ARE PROPRIETARY ITEMS TO WHICH TAMURA RETAINS THE EXCLUSIVE RIGHT OF DISSEMINATION, REPRODUCTION, MANUFACTURE AND SALE. THIS DRAWING, PRINT OR DOCUMENT IS SUBMITTED IN CONFIDENCE FOR CONSIDERATION BY THE RECIPIENT ALONE UNLESS PERMISSION FOR FURTHER DISCLOSURE IS EXPRESSLY GRANTED IN WRITING.

TRCELECTRONICS, INC.
"Authorized Distributor"
135 Pasadena Ave.
Lodi, NJ 07644 USA
Tel: (973) 779-8282
Fax: (973) 779-1490
sales@trcelectronics.com
http://www.trcelectronics.com

E. Mounting Footprint;



F. Schematic Diagram:



TCA NUMBER	PART NO.	PARALLEL CONNECTION		SERIES CONNECTION		OUTPUT
		AC VOLTS	RMS AMPS	AC VOLTS	RMS AMPS	
P-A1-12225-01	PL5.0-10-130B	5.0	1.0	10.0CT	0.5	2X5.0V
P-A1-12225-02	PL5.0-12-130B	6.3	0.8	12.6CT	0.4	2X6.3V
P-A1-12225-03	PL5.0-16-130B	8.0	0.62	16.0CT	0.31	2X8.0V
P-A1-12225-04	PL5.0-20-130B	10.0	0.5	20.0CT	0.25	2X10.0V
P-A1-12225-05	PL5.0-24-130B	12.0	0.42	24.0CT	0.21	2X12.0V
P-A1-12225-06	PL5.0-28-130B	14.0	0.36	28.0CT	0.18	2X14.0V
P-A1-12225-07	PL5.0-36-130B	18.0	0.28	36.0CT	0.14	2X18.0V

TOLERANCES (mm)

≤ 4	± 0.2
4 ≤ 20	± 0.3
20 ≤ 50	± 0.4

PREPARED BY:
D. Rund

ENGINEER:
T. Shiozawa

QUALITY CONTROL:
D. Kelley

APPROVED:
D. Kelley

DWG CONTROL NO. REV
P-A1-12225 -
ACAD\MXFMR\A1122251.DWG

CONTENTS OF THIS DRAWING ARE SUBJECT TO CHANGE WITHOUT PRIOR NOTICE

POWER TRANSFORMER
TAMURA CORPORATION OF AMERICA
43352 BUSINESS PARK DRIVE, TEMECULA, CA. 92590-6624

PL5.0-XX-130B
MODEL SPECIFICATION
DIM: mm(in) SCL: 1/1 SH: 2 OF 2

PROPRIETARY NOTICE: THIS DRAWING PRINT OR DOCUMENT AND SUBJECT MATTER DISCLOSED HEREIN ARE PROPRIETARY ITEMS TO WHICH TAMURA RETAINS THE EXCLUSIVE RIGHT OF DISSEMINATION, REPRODUCTION, MANUFACTURE AND SALE. THIS DRAWING, PRINT OR DOCUMENT IS SUBMITTED IN CONFIDENCE FOR CONSIDERATION BY THE RECIPIENT ALONE UNLESS PERMISSION FOR FURTHER DISCLOSURE IS EXPRESSLY GRANTED IN WRITING.