

THIS DRAWING IS UNPUBLISHED.

RELEASED FOR PUBLICATION

REVISIONS

© COPYRIGHT - TE Connectivity Ltd.

ALL RIGHTS RESERVED.

P	LTR	DESCRIPTION	DATE	DWN	APVD
A		INITIAL RELEASE	30JUL2019	RV	DH

7012

* * *

TERM. BLOCK PART NO. 32650-02	
HARDWARE ASSY PART NO.	
STANDARD	32694-03
W/K COILS	32694-10
W/L27 COIL	32694-14
W/L7,L21,L22 & L24 COILS	32694-04
PACKAGING ASSY PART NO. 32707-01 (STANDARD)	
W/OPTION GZ	32707-06
W/OPTION K	
W/OPTION P	
W/OPTION U	
W/OPTION W	
W/OPTION X	32849-01
W/OPTION L	
W/OPTION LL	
W/OPTION T	

ENCL. CODE	NOMIAL VOLTAGE	FREQ. HZ	PART NO.
A	120V	60	32274-01
B	240V	60	32274-02
C	480V	60	32274-03
D	550V	60	32274-04
E	24V	60	32274-05
F	127V	50	32274-06
G	240V	50	32274-07
H	12V	60	32274-08
I	6V	60	32274-09
J	208V	60	32274-10
K	120V 240V	60	32274-11
K1	120V 240V	60	32274-12
L1	12V	50	32274-13
L2	24V	50	32274-14
L3	48V	50	32274-15
L4	380V	60	32274-16
L5	208V	50	32274-17
L6	380V	50	32274-18
L7	120V	25-400	32274-19
L8	110V	60	32274-20
L9	220V	60	32274-21
L10	440V	60	32274-22
L12	110V	50	32274-23
L13	220V	50	32274-24
L15	415V	50	32274-25
L16	440V	50	32274-26
L17	500V	50	32274-27
L18	550V	50	32274-28
L19	48V	60	32274-29
L20	70V	60	32274-30
L21	208V	25-400	32274-31
L22	240V	25-400	32274-32
L23	32V	50	32274-33
L24	440V	25-400	32274-34
L25	120V	60	32274-35
L26	277V	60	32274-36
L27	208V 240V	60	32274-37
L28	120V	60	32274-38

TIME CODE	TIME RANGE	TIME COMP. ASSY P/N	TIME HEAD ASSY P/N
A	.1-1 SEC.	32302-01	32625-05
B	.5-5 SEC.	32302-02	
C	1.5-15 SEC.	32302-03	
D	5-50 SEC.	32302-04	
E	20-200 SEC.	32302-05	32625-01
F	1-10 MIN.	32302-06	
H	3-30 MIN.	32302-07	
I	6-60 MIN.	32302-08	
J	3-120 CYC.	32302-09	32625-09
K	1-300 SEC.	32302-10	32625-01


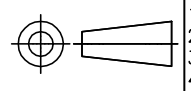
OPTION CODE	OPTION *	OPTION PART NO.	OUTLINE & DIM.DWG.
A1	SINGLE Q.C. TERMINALS	32728-01	SS-625
A2	DOUBLE Q.C. TERMINALS	32729-01	SS-626
B	PLUG-IN TERMINALS	32730-01	SS-627
BC	PLUG-IN & RECEPT. (ST)	32731-01	SS-628
BD	PLUG-IN & RECEPT. (Q.C)	32732-01	SS-629
GZ	ENCLOSURE, NEMA 2	32733-01	SS-633
I1	TIME HEAD CAP (BLACK)	32734-01	SS-634
I2	TIME HEAD CAP (CLEAR)	32734-02	SS-634
K	EXPL. PROOF ENCLOSURE	32807-01	N/A
M	DUST TIGHT GASKETS	32737-01	SS-631
P	OCTAL PLUG-IN	32738-01	SS-630
S	DIAL STOPS	32741-01	SS-632
T	AUX.SWITCH T.S. TIMING	32742-01	SS-641
U	DUST TIGHT ENCLOSURE	32744-01	SS-636
W	WATER-TIGHT ENCL.NEMA 4	32745-01	SS-635
X	PANEL MOUNT	32748-01	N/A
Y1	HORIZ. CALIB. W/O X	32726-01	N/A
Y2	HORIZ. CALIB. W/COMP.SPG.	32727-01	N/A
L	AUX.SW. (INST. XFER)	32739-01	SS-638
LL	(2) AUX.SW. (INST. XFER)	32739-03	SS-638

FIELD INSTALLATION KITS			
CATALOG NUMBER	KIT CODE	DESCRIPTION	PART NO.
700062	I1	TAMPER-PROOF COVER (BLACK)	32708-01
700071	I2	TAMPER-PROOF COVER (CLEAR)	32708-02
700034	K	ENCLOSURE, EXPL.PROOF	32736-01
700099	W	ENCLOSURE, WATER-TIGHT, NEMA 4	32746-01
700077	B	PLUG-IN MOUNTING	32725-01
700042	GZ	ENCLOSURE, NEMA 2	32913-01
700047	L	AUX. SWITCH (INST. XFER)	32740-01
700097	P	OCTAL PLUG ADAPTER	32912-01
700121	T	AUX. SWITCH (TWO-STEP TIMING)	32743-01
700041	X	PANEL MOUNTING	32749-01
700030	-	SWITCH BLOCK ASSY	32911-01
700137	-	PLUG-IN RECEPT. (SCREW TERM.)	32324-01
700141	-	PLUG-IN RECEPT. (Q.C. TERM.)	32324-02
700048	LL	DOUBLE AUX. SWITCH KIT	32026-01

NOTES:

- ① WHEN L7, L21, L22 OR L24 COILS ARE SPECIFIED, SUBSTITUTE TIME HEAD ASSY AS FOLLOWS:
USE 32625-06 IN PLACE OF 32625-05
USE 32625-02 IN PLACE OF 32625-01
USE 32625-10 IN PLACE OF 32625-09
AND TEST PER TP-TRE-05.
- 2. DIELECTRIC TEST PER TP-TRE-01.
- 3. PERFORMANCE TEST PER TP-TRE-02 (REF. ES-TRE-01 & ES-TRE-02)

* CAUTION SHOULD BE EXERCISED IN ORDERING (ASSIGNING) MULTIPLE OPTIONS - CONSULT PRODUCT MANAGER FOR VERIFICATION IF NECESSARY.

THIS DRAWING IS A CONTROLLED DOCUMENT.		DWN RV 30JUL2019	 TE Connectivity	
		CHK RV 30JUL2019		
DIMENSIONS: INCHES		APVD DH 30JUL2019	NAME 7000 SERIES TIMING RELAY	
		PRODUCT SPEC	-	
TOLERANCES UNLESS OTHERWISE SPECIFIED:		APPLICATION SPEC	-	
0 PLC ± -		WEIGHT	0	
1 PLC ± -		SIZE	A3	
2 PLC ± -		CAGE CODE	-	
3 PLC ± -		DRAWING NO	G=7000-SERIES	
4 PLC ± -		RESTRICTED TO	-	
ANGLES ± -		SCALE	NTS	
FINISH		SHEET	1 of 3	
-		REV	A	
CUSTOMER DRAWING				

THIS DRAWING IS UNPUBLISHED.

RELEASED FOR PUBLICATION

REVISIONS

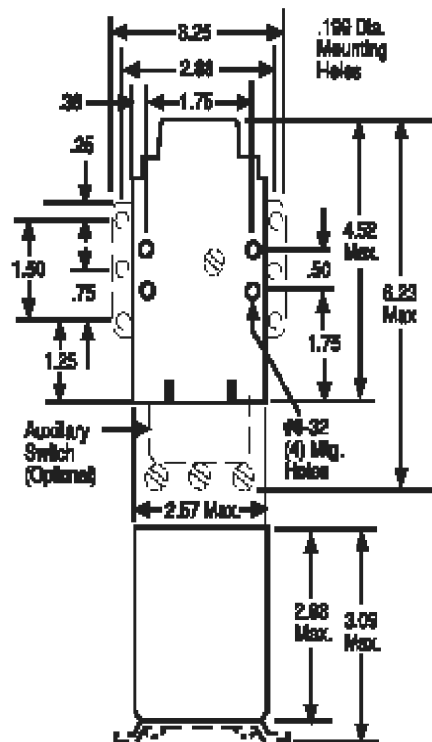
© COPYRIGHT - TE Connectivity Ltd.

ALL RIGHTS RESERVED.

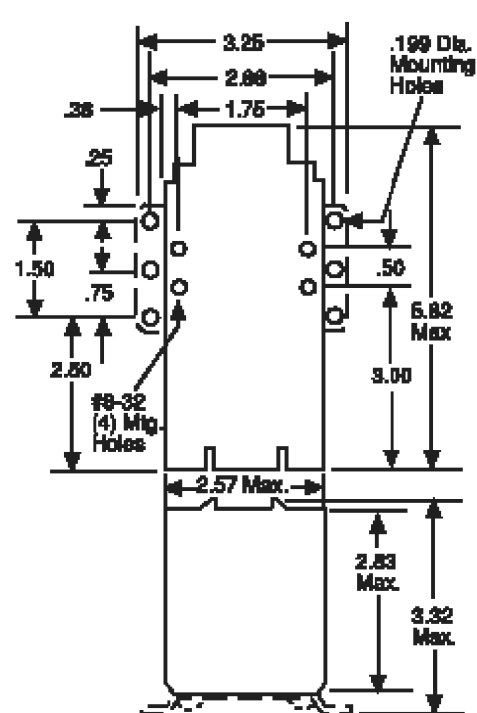
P	LTR	DESCRIPTION	DATE	DWN	APVD
-	-	SEE SHEET 1	-	-	-

Outline Dimensions (Dimensions in inches)

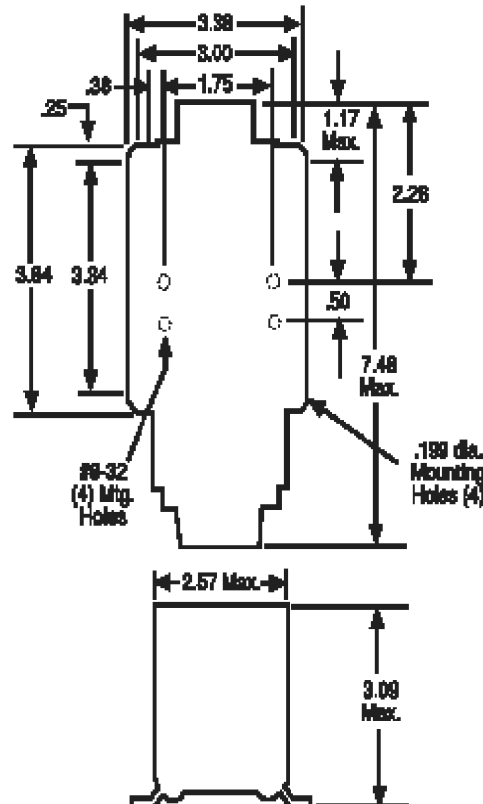
Models 7012, 7022



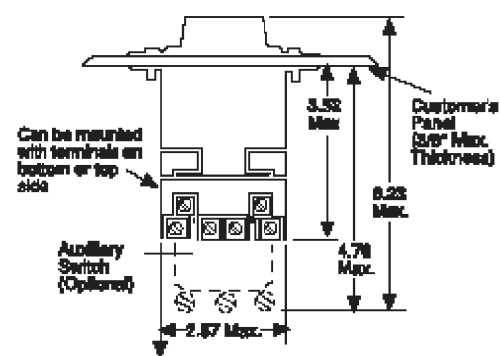
Models 7014, 7024



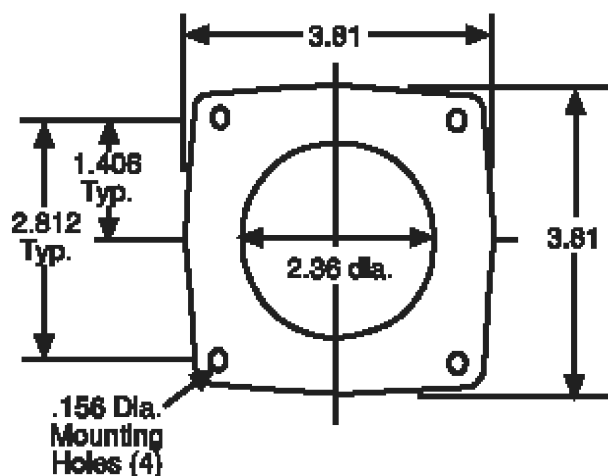
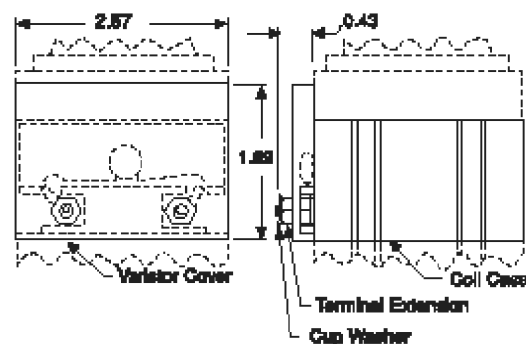
Model 7032



Panel Mount Option "X"



Surge/Transient Protection Option



THIS DRAWING IS A CONTROLLED DOCUMENT.		DWN	RV	30JUL2019	TE Connectivity	NAME	7000 SERIES TIMING RELAY			
DIMENSIONS: INCHES		CHK	RV	30JUL2019			PRODUCT SPEC	-		
		APVD	DH	30JUL2019			APPLICATION SPEC	-		
TOLERANCES UNLESS OTHERWISE SPECIFIED:					SIZE	CAGE CODE	DRAWING NO	RESTRICTED TO		
0 PLC ± -					A3	-	7000-SERIES	-		
1 PLC ± -					CUSTOMER DRAWING		SCALE	SHEET	REV	
2 PLC ± -							NTS	2 of 3	A	
3 PLC ± -										
4 PLC ± -										
ANGLES ± -										
FINISH										
MATERIAL										

THIS DRAWING IS UNPUBLISHED.

RELEASED FOR PUBLICATION

ALL RIGHTS RESERVED.

© COPYRIGHT - TE Connectivity Ltd.

REVISIONS

P	LTR	DESCRIPTION	DATE	DWN	APVD
-	-	SEE SHEET 1	-	-	-

Ordering Information

Typical Part No. ▶ 70 1 2 A D GZ

1. Basic Series: 70 = 7000 series electropneumatic timing relay
2. Operation: 1 = On-delay 2 = Off-delay 3 = On-delay, off-delay (double head)
3. Contact Arrangement: 2 = 2PDT (2 form C) **4 = 4PDT (4 form C)

4. Coil Voltage:	
AC Coils	DC Coils
A = 120VAC, 60 Hz.; 110VAC, 50Hz.	M = 28VDC
B = 240VAC, 60 Hz.; 220VAC, 50Hz.	N = 48VDC
C = 480VAC, 60 Hz.	O = 24VDC
D = 550VAC, 60 Hz.	P = 125VDC
E = 24VAC, 60 Hz.	Q = 12VDC
F = 127VAC, 50 Hz.	R = 60VDC
G = 240VAC, 50Hz.	S = 250VDC
H = 12VAC, 60 Hz.	T = 550VDC
K = Dual voltage (combines A & B)	U = 16VDC
L = Special AC coils (L1, L2, etc.)	V = 32VDC
	W = 96VDC
	Y = 6VDC
	Z = 220VDC
	X = Special DC coils (X1, X2, etc.)

5. Timing Range:	
Models 7012, 7022 & 7024	†Models 7014 & 7032
A = .1 to 1 sec.	For model 7032 specify separate time range code for each head. Example: AB.
B = .5 to 5 sec.	Any two ranges may be selected.
C = 1.5 to 15 sec.	A = .2 to 2 sec.
D = 5 to 50 sec.	B = .7 to 7 sec.
E = 20 to 200 sec.	C = 2 to 20 sec.
F = 1 to 10 min.	D = 10 to 100 sec.
H = 3 to 30 min.	E = 30 to 300 sec.
I = 6 to 60 min.	F = 1.5 to 15 min.
J = 3 to 120 cyc.	H = 3 to 30 min.
K = 1 to 300 sec.	

6. Options:	
A1 = Single quick-connect terminals (note 4).	I2 = Tamper-proof Cap, transparent (Cannot be combined with Option X).
A2 = Double quick-connect terminals (note 4).	L = Auxiliary Switch, instant transfer. 7012 only (notes 2 & 6).
B = Plug-in connectors (note 4).	LL = Two Aux. Switches, instant transfer. On Model 7014 Factory Installed Only. (notes 2 & 6)
GZ = Enclosure with bottom knockouts (note 1).	M = Dust-tight Gasketing (notes 4 & 5).
H2 = Hermetically sealed enclosure, 8 pin solder (notes 1 & 4).	P = Octal Plug Adapter. Can be combined only with options I1, I2, M, S, X, or Y1. (note 4).
H3 = Hermetically sealed enclosure, 8 pin octal (notes 1 & 4).	S = Dial Stops.
H4 = Hermetically sealed enclosure, 8 screw terminal block (notes 1 & 4).	T = Auxiliary Switch, two-step timing (notes 2 & 6).
*H6 = Hermetically sealed enclosure, 11 pin solder (notes 1 & 4).	V = Transient/ Surge Protection (for DC coil voltage only).
*H7 = Hermetically sealed enclosure, 11 pin octal (notes 1 & 4).	X = Panelmount includes hardware and adjustment for horizontal operation (note 4)
*H8 = Hermetically sealed enclosure, 11 screw terminal block (notes 1 & 4).	Y1 = Horizontal testing, for horizontal operation without panel mounting (note 4).
I1 = Tamper-proof Cap, opaque black (Cannot be combined with Option X).	Y2 = Horizontal testing, with Compensating Spring for vertical operation (note 4).

- Notes:
- Cannot be combined with B, P or X Options
 - Cannot be combined with B, P or Y2 Options
 - Cannot be combined with GZ, H, I1, I2, K, W or Y1 Options
 - Not Avail. on 4-Pole Models
 - Not Available with L, T or LL options.
 - Not Available on hermetically sealed units.
- * Sized to accommodate one L or T Auxiliary Switch
 ** Not available on 7032 model.
 † Available with letter graduated dials only. Upper end of time range may be twice the value shown
 †† 120 cycles = 2 sec.

Our authorized distributors are more likely to maintain the following items in stock for immediate delivery.

7012AA	7012AE	7012ACL	7012PB	7012PJ	7022AA	7022AE	7022AJ	7022PA
7012AB	7012AF	7012BC	7012PC	7012PK	7022AB	7022AF	7022AKT	7022PB
7012AC	7012AH	7012NC	7012PD	7012PKX	7022AC	7022AH	7022BC	7022PC
7012AD	7012AK	7012PA	7012PF	7012PJX	7022AD	7022AI	7022BK	7022PK

Ordering Options — Can only be ordered as factory installed options (Dimensions, where shown, are in inches)

A1 – Single Quick-Connect Terminals 	A2 – Double Quick-Connect Terminals 	B – Plug-In Connectors Use with Accessory "C" or "D" below. 	GZ – Metal Enclosure With knockouts for bottom connection. 3.16" W x 3.84" D x 7.63"H
H – Hermetically Sealed Enclosure 	I – Tamper-Proof Cover 	L – Auxiliary Switch 	LL – Auxiliary Switch
M – Dust tight 	P – Octal Plug Adapter 	S – Dial Stops 	T – Auxiliary Switch
V – Transient/ Surge Protection 	X – Panelmount Kit Mounting hardware included. 		

Accessories (Not available for 7032 models)

Plug-In Receptacle (Accessory C) Screw Terminals Catalog No. 700137. For use with "B" Option.	Plug-In Receptacle (Accessory D) Quick Connect Terminals Catalog No. 700141. For use with "B" Option.
---	---

Ordering options can only be ordered as factory installed options.

THIS DRAWING IS A CONTROLLED DOCUMENT.		DWN RV 30JUL2019	TE Connectivity	
		CHK RV 30JUL2019		
DIMENSIONS: INCHES		APVD DH 30JUL2019	NAME	
TOLERANCES UNLESS OTHERWISE SPECIFIED:		PRODUCT SPEC	7000 SERIES TIMING RELAY	
0 PLC ± -		APPLICATION SPEC	-	
1 PLC ± -			-	
2 PLC ± -		SIZE	CAGE CODE	DRAWING NO
3 PLC ± -		A3	00779	7000-SERIES
4 PLC ± -		WEIGHT	RESTRICTED TO	
ANGLES ± -		0	-	
FINISH		CUSTOMER DRAWING		SCALE NTS
		SHEET 3 of 3		REV A

Mouser Electronics

Authorized Distributor

Click to View Pricing, Inventory, Delivery & Lifecycle Information:

[TE Connectivity:](#)

[1-1472973-0](#)