

4

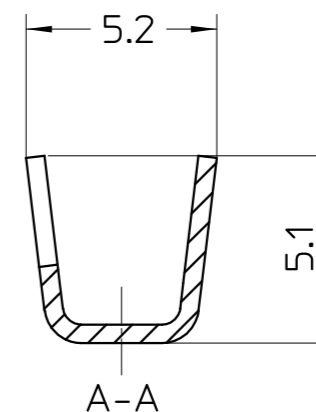
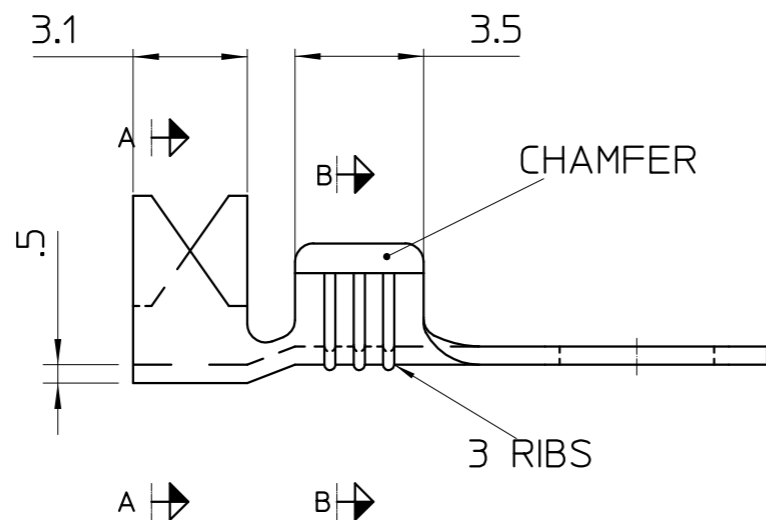
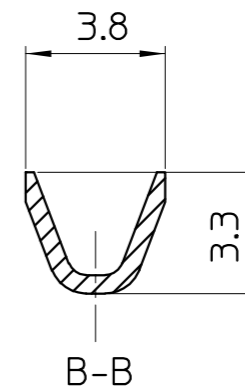
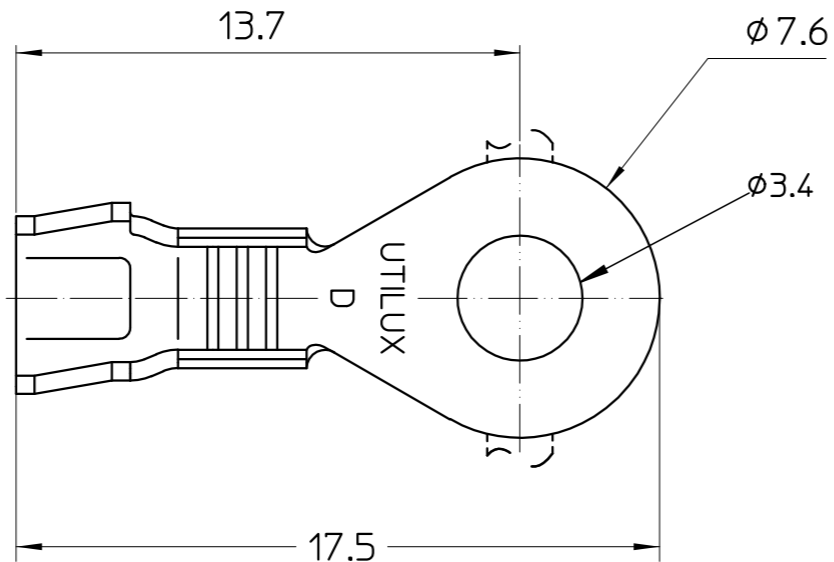
3

2

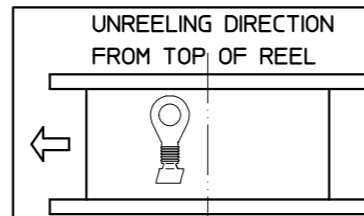
1

THIS DRAWING IS UNPUBLISHED. RELEASED FOR PUBLICATION
 © COPYRIGHT BY TYCO ELECTRONICS CORPORATION. ALL RIGHTS RESERVED.

| LOC | DIST | REVISIONS | | | | | |
|-----|------|-----------|-----|-------------|------|-----|------|
| | | P | LTR | DESCRIPTION | DATE | DWN | APVD |
| U | - | - | - | - | - | - | - |



NOTES:
 1. WIRE RANGE
 CONDUCTOR: 0.5mm² - 1.5mm²
 INSULATION DIA: 2.2mm - 3.2mm



| | | | |
|-------------|---------------|------------------------------------|-------------|
| LOOSE PIECE | BRASS | TERMINAL, RING TONGUE, LOOSE PIECE | 1-1627169-3 |
| REEL FORM | BRASS PRE-TIN | TERMINAL, RING TONGUE H3930ET | 1-1627169-2 |
| REEL FORM | BRASS | TERMINAL, RING TONGUE H3930 | 1-1627169-0 |
| REMARKS | MATERIAL | DESCRIPTION | PART No. |

| | | | | |
|---|--|-----------------------|---|------------------|
| THIS DRAWING IS A CONTROLLED DOCUMENT. | | DWN: T. THAI 1.7.05 | Tyco Electronics Corporation AUSTRALIA | |
| ALL DIMENSIONS IN mm: | | CHK: W. RIEDE 1.7.05 | | |
| TOLERANCES UNLESS OTHERWISE SPECIFIED: | | APVD: W. RIEDE 2.7.05 | NAME: TERMINAL, RING TONGUE | |
| DIMENSION (mm) TOLERANCE(+/-mm) LESS THAN 10 0.4 OVER 10 TO 30 0.5 OVER 30 TO 80 0.7 OVER 80 TO 250 1.0 ANGLES ±2° | | PRODUCT SPEC: - | DRAWING NO: 1627169 | |
| MATERIAL: SEE TABLE | | APPLICATION SPEC: - | SIZE: A3 | RESTRICTED TO: - |
| FINISH: SEE TABLE | | WEIGHT: - | SCALE: 5:1 SHEET 1 OF 1 REV 0 | |
| CUSTOMER DRAWING | | | | |

THIS INFORMATION IS CONFIDENTIAL AND PROPRIETARY TO TYCO ELECTRONICS CORPORATION AND ITS WORLDWIDE SUBSIDIARIES AND AFFILIATES. IT MAY NOT BE DISCLOSED TO ANYONE OTHER THAN TYCO ELECTRONICS PERSONNEL WITHOUT WRITTEN PERMISSION FROM TYCO ELECTRONICS CORPORATION, HARRISBURG, PENNSYLVANIA, USA.