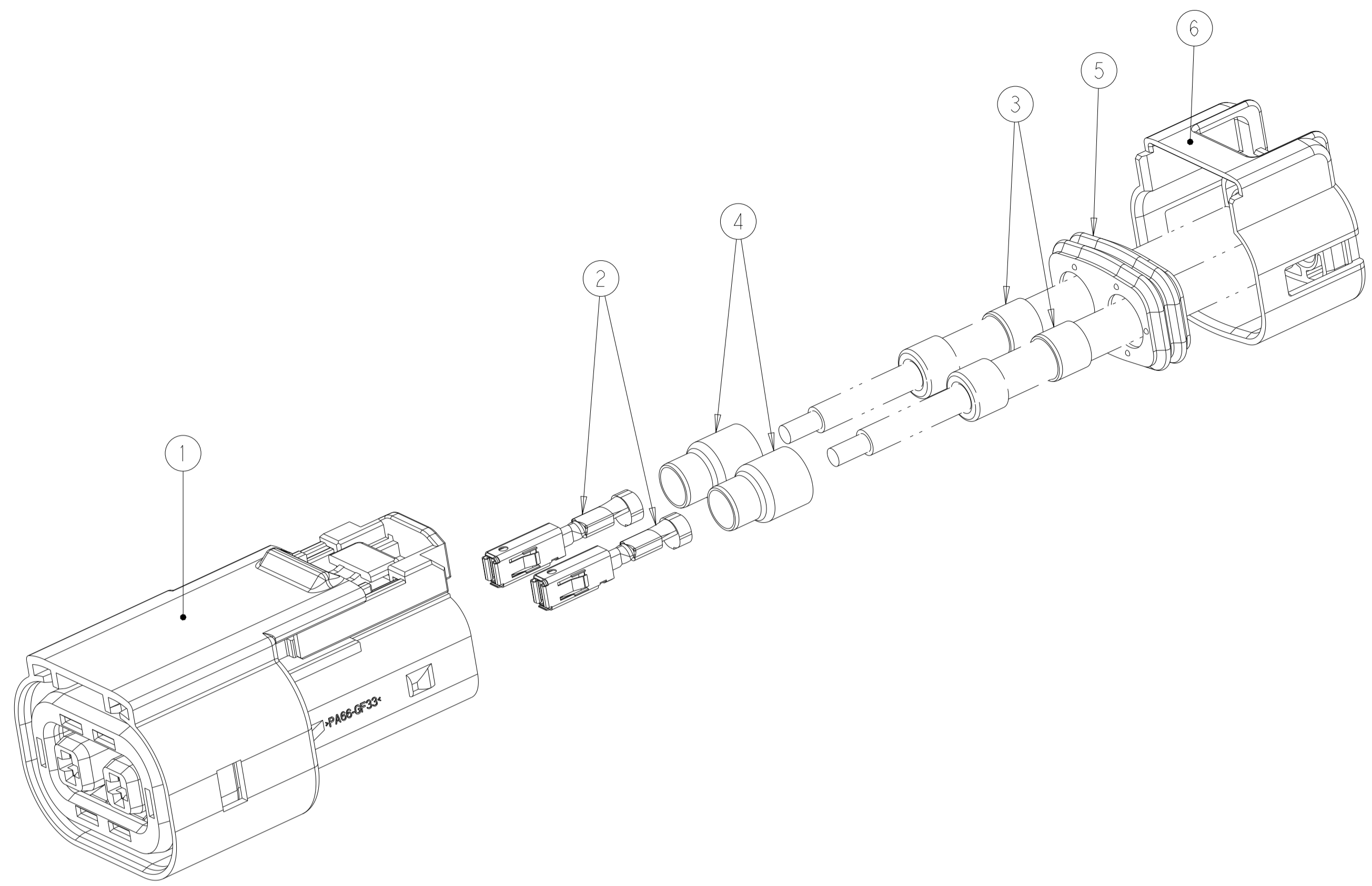
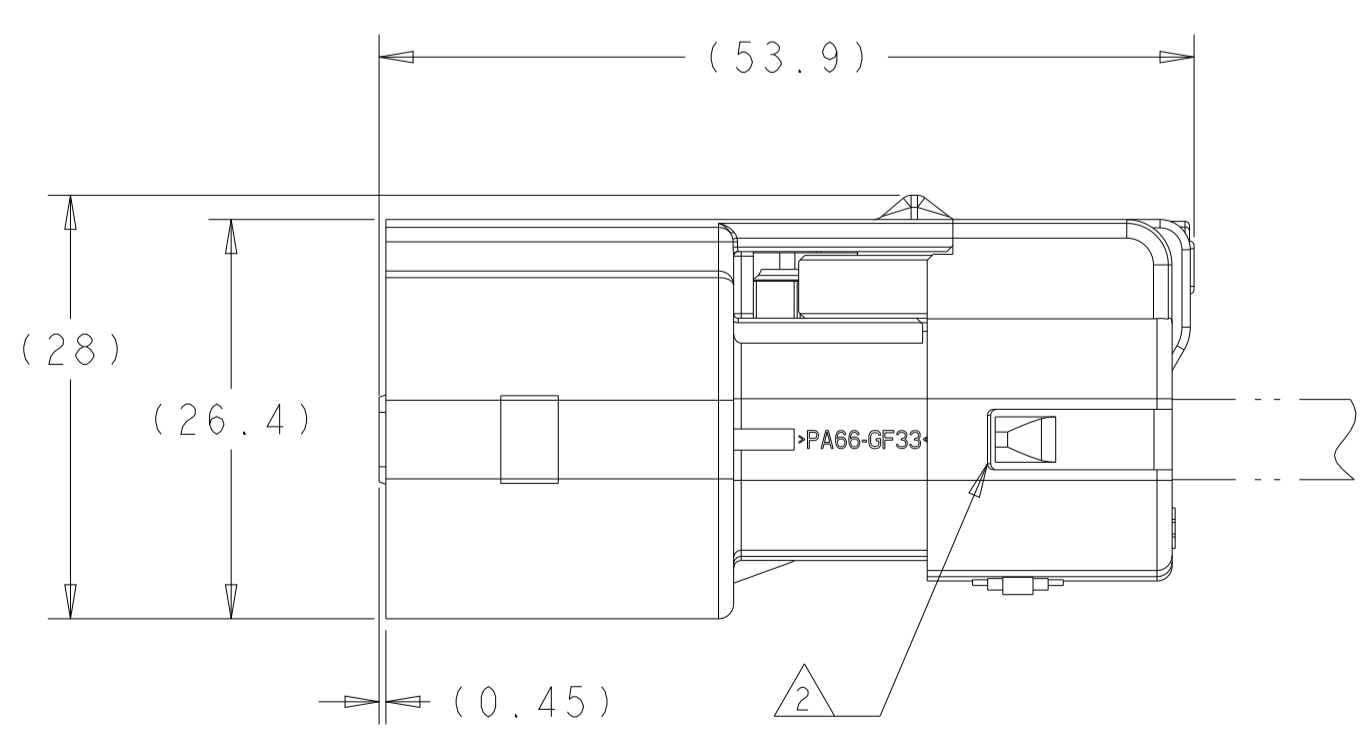
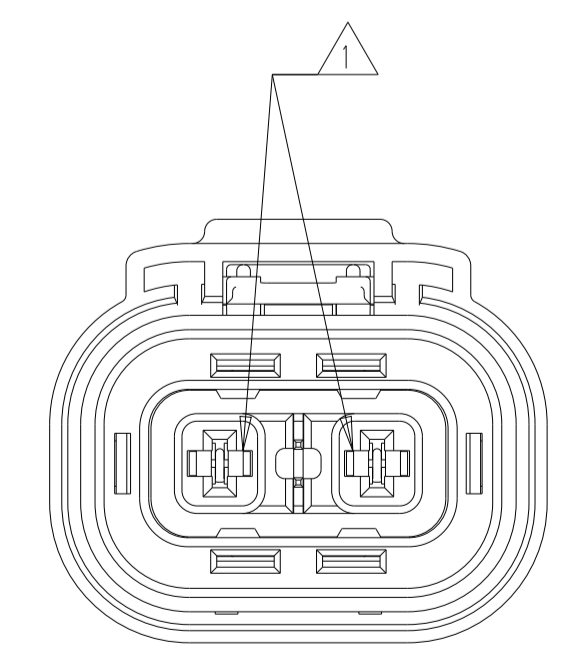
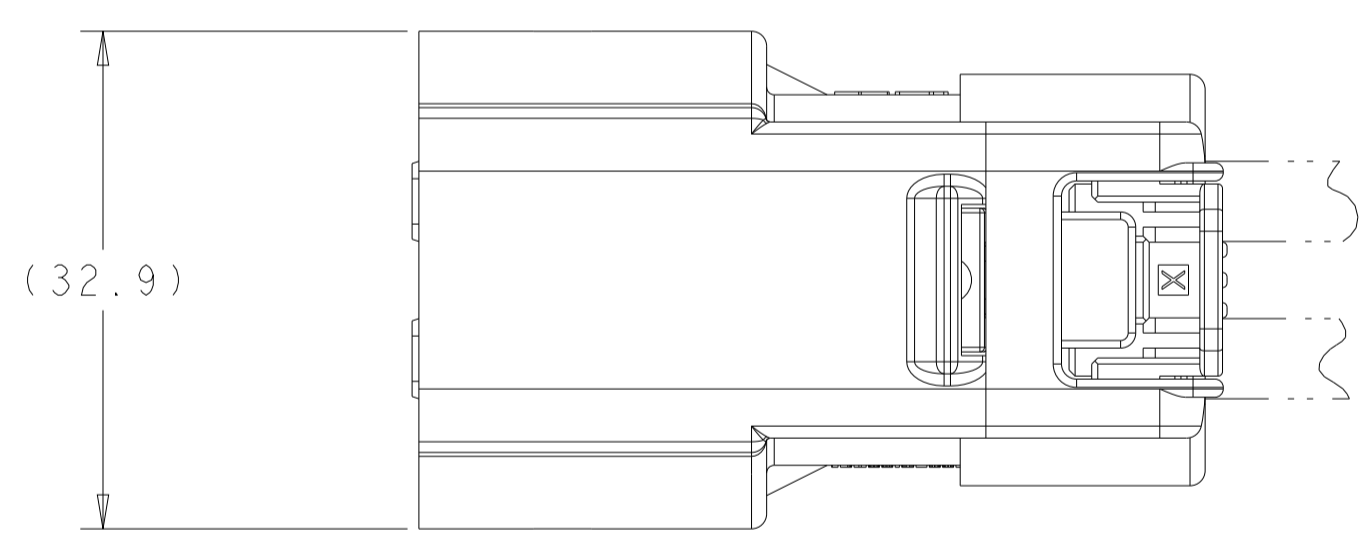


REVISIONS				
P	LTN	DESCRIPTION	DATE	APVD
A		INITIAL RELEASE	22JAN2019	JMS AG
A1		AS PER ECN-25-346016	26SEP2025	CD JR
A2		AS PER ECN-25-355559	26NOV2025	CD JR



- 1. ALL TERMINALS MUST BE FULLY SEATED AND LOCKED IN POSITION TWO PLACES PER TERMINAL.
- 2. CABLE SEAL RETAINER MUST BE FULLY LOCKED 2 PLACES.
- 3. PART NUMBERS LISTED ON THIS DRAWING ARE FOR REFERENCE ONLY AND DOCUMENT THE COMPLETE, AS-ASSEMBLED, FEMALE HARNESS ASSEMBLY (MINUS CABLING). PPAP INFORMATION IS NOT AVAILABLE FOR THESE REFERENCE PART NUMBERS, ITEM LISTED IN THE PART NUMBER TABLE (ITEM 1-6) ARE INDIVIDUAL SALEABLE ITEMS AVAILABLE FROM TE CONNECTIVITY. ITEM-SPECIFIC PPAP INFORMATION MUST BE REQUESTED THROUGH THE ITEM-SPECIFIC PART NUMBERS. PPAP REQUESTS FOR THESE REFERENCE PART NUMBERS WILL BE FULLFILLED WITH A PPAP SUBMISSION FOR ITEM NO 1 ONLY. (SEE P/N TABLE)
- 4. THESE COMPONENTS HAVE OPTIONAL PART NUMBERS FOR DIFFERENT USE, WITH/WITHOUT CPA AND TOOL ACCESSIBLE/FINGER ACESIBLE LATCHING. CONTACT TYCO ELECTRONICS ENGINEERING FOR APPLICATION SPECIFIC PART NUMBERS. SEE PG2
- 5. CABLE GG HIGH VOLT FHLR2GCB2G IS VALIDATED UNDER LV216 STANDARD ONLY.
- 6. MATES WITH HEADERS SHOWN ON THESE TYCO ELECTRONICS DRAWINGS: 2103124, 2103247 AND INLINE CAP 2103191. CONTACT TE REGARDING ADDITIONAL MATING HEADER OPTIONS.
- 7. FOR TERMINAL CRIMPING AND APPLICATOR INFORMATION, PLEASE SEE TE APPLICATION SPECIFICATION: 114-18148
- 8. X INDICATES THE CONNECTOR KEYWAY AND Y INDICATES THE CABLE TYPE.
- 9. THE CABLE SUPPLIER/SPECIFICATION ON THE TABLE HAVE BEEN VALIDATED WITH THE CORRESPONDING COMPONENTS. USE OF CABLES OTHER THAN THOSE LISTED TO BE INDEPENDENTLY VALIDATED BY THE USER.
- 10. FOR INNER FERRULE 1587828 AND OUTER FERRULE 1587829 THE SUFFIX X AT THE BEGINING OF THE PART NO. ALLOW TO USE EITHER OF THE TWO FERRULE VERSIONS AVAILABLE LISTED ON THE CORRESPONDING C-DRAWINGS FOR EACH PART NUMBER.



QTY REQ	PART NO.	CUSTOMER DRAWING	DESCRIPTION	ITEM NO	KIT NO (Y)	CABLE SUPPLIER/ SPECIFICATION	CABLE SIZE/ DESCRIPTION
3			PARTS LIST				
1	2103181-1	2103181	SEAL RETAINER, CABLE	6	3-2103176-X	APTIV WIRE PN: M6488	3.0mm ² INDIVIDUALLY SHIELDED
1	2260703-1	2260703	SEAL, CABLE	5			
2	X-1587829-1	1587829	FERRULE, OUTER	4			
2	X-1587828-1	1587828	FERRULE, INNER	3	2-2103176-X	LEONI KABEL, GmbH 76231175A OR HUBER+SUHNER, AG 12 582 674 OR GG HIGH VOLT@ C180S FHLR2GCB2G	4.0mm ² INDIVIDUALLY SHIELDED
2	1-968853-3	1355036	MCP 2.8 TERMINAL FEMALE, Ag, 4.0mm ²	2			
1	(X)-2103177-X	2103177	PLUG SUBASSY	1			
1	2103181-3	2103181	SEAL RETAINER, CABLE	6	1-2103176-X	JUDD WIRE, INC. JW1187-08	3.0mm ² INDIVIDUALLY SHIELDED
1	1587826-3	1587826	SEAL, CABLE, VMO TYPE	5			
2	X-1587829-3	1587829	FERRULE, OUTER	4			
2	X-1587828-3	1587828	FERRULE, INNER	3	1-2103176-X	JUDD WIRE, INC. JW1187-08	3.0mm ² INDIVIDUALLY SHIELDED
2	1-968853-3	1355036	MCP 2.8 TERMINAL FEMALE, Ag, 4.0mm ²	2			
1	(X)-2103177-X	2103177	PLUG SUBASSY	1			
1	2103181-2	2103181	SEAL RETAINER, CABLE	6	1-2103176-X	JUDD WIRE, INC. JW1187-08	3.0mm ² INDIVIDUALLY SHIELDED
1	1587826-2	1587826	SEAL, CABLE, VMO TYPE	5			
2	X-1587829-2	1587829	FERRULE, OUTER	4			
2	X-1587828-2	1587828	FERRULE, INNER	3	1-2103176-X	JUDD WIRE, INC. JW1187-08	3.0mm ² INDIVIDUALLY SHIELDED
2	1-968853-3	1355036	MCP 2.8 TERMINAL FEMALE, Ag, 4.0mm ²	2			
1	(X)-2103177-X	2103177	PLUG SUBASSY	1			

TOOL ACCESSIBLE LATCH WITH CPA VERSION SHOWN

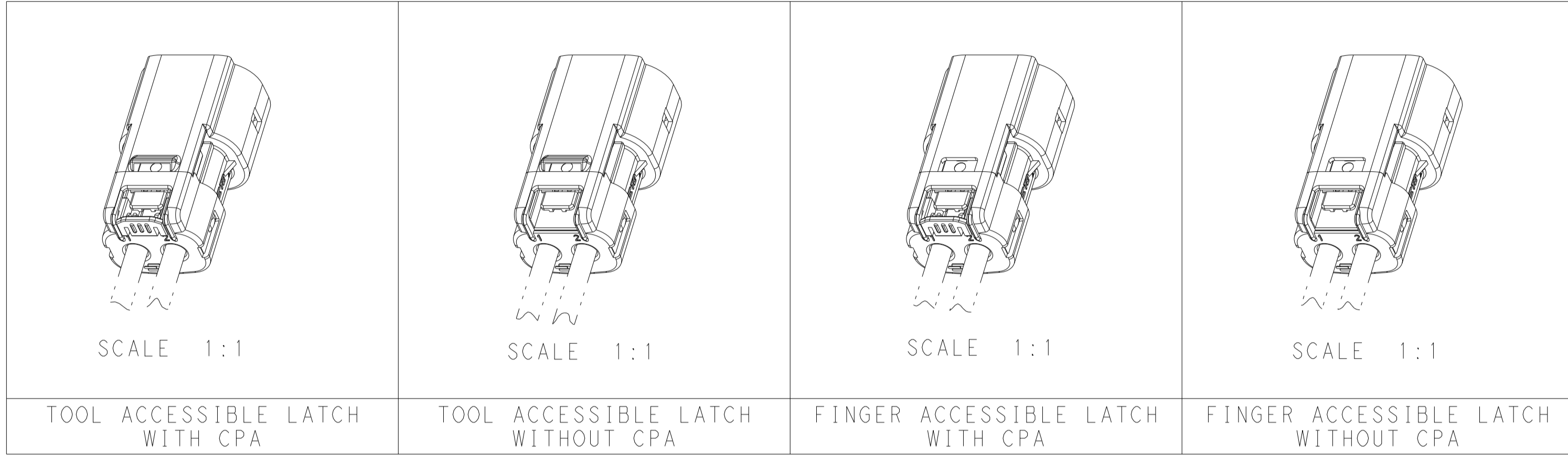
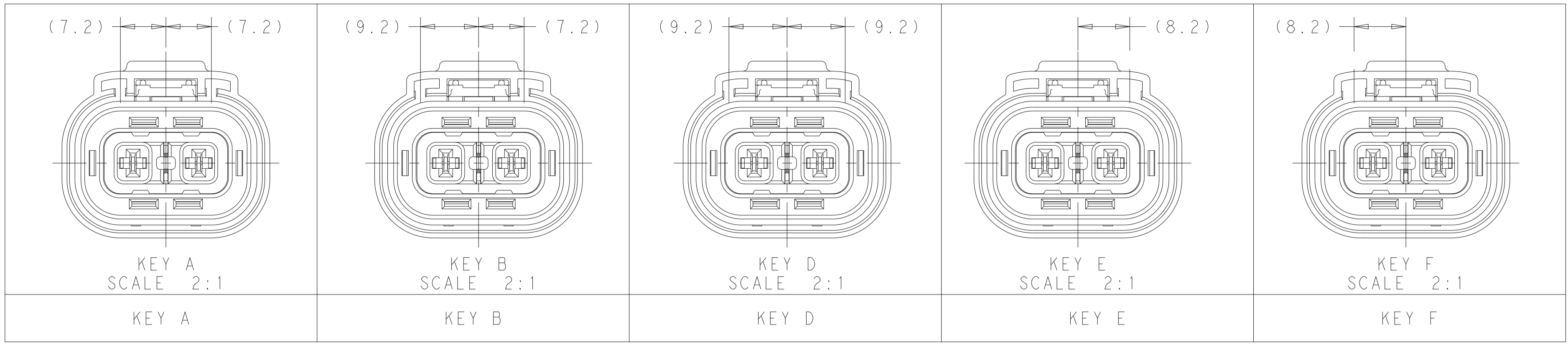
THIS DRAWING IS A CONTROLLED DOCUMENT. DWG: D SIMPSON 23FEB2011
 CHK: A TYLER 23FEB2011
 APVD: J BOLEWITZ 23FEB2011

TE Connectivity

NAME: PLUG ASSY, HVA280-2PHI XE REFERENCE DRAWING
 PRODUCT SPEC: 108-2394
 APPLICATION SPEC: 114-13259
 MATERIAL: - FINISH: - WEIGHT: -
 CUSTOMER DRAWING

SCALE: 2:1 SHEET 1 OF 2 REV: A2

REVISIONS				
P	LTN	DESCRIPTION	DATE	APVD
-	-	SEE SHEET 1	-	-



THIS DRAWING IS A CONTROLLED DOCUMENT.

DWN D SIMPSON 23FEB2011	CHK A TYLER 23FEB2011	APVD J BOLEWITZ 23FEB2011	NAME PLUG ASSY, HVA280-2PHI XE REFERENCE DRAWING
DIMENSIONS: mm		TOLERANCES UNLESS OTHERWISE SPECIFIED: 0 PLC ±. 1 PLC ±0.5 2 PLC ±0.13 3 PLC ±0.013 4 PLC ±0.0001 ANGLES ±1 FINISH	PRODUCT SPEC 108-2394 APPLICATION SPEC 114-13259
MATERIAL		WEIGHT	RESTRICTED TO
CUSTOMER DRAWING		SCALE 2:1	SHEET 2 OF 2 REV A2

TE Connectivity

SIZE CAGE CODE DRAWING NO
A100779C=2103176