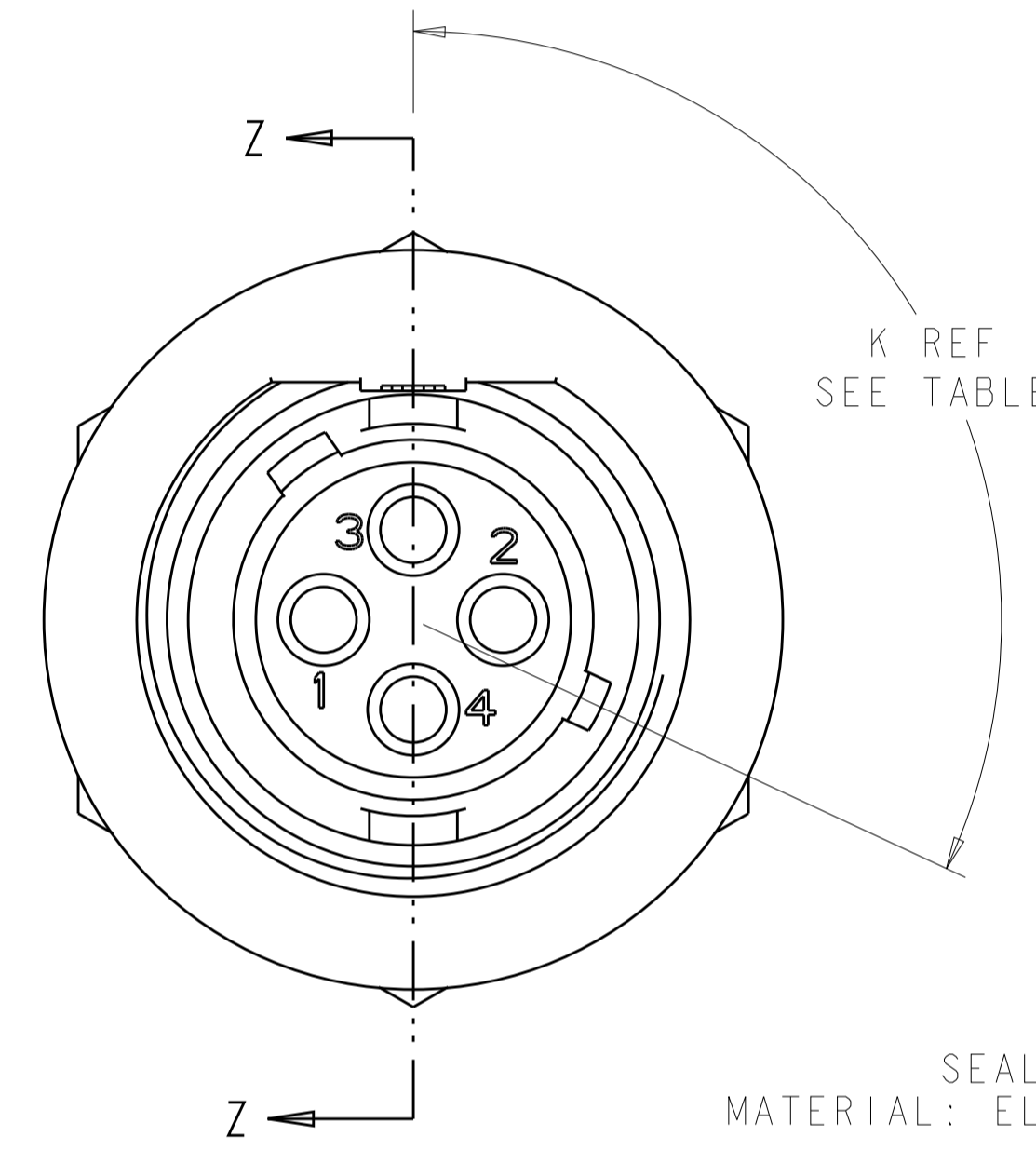
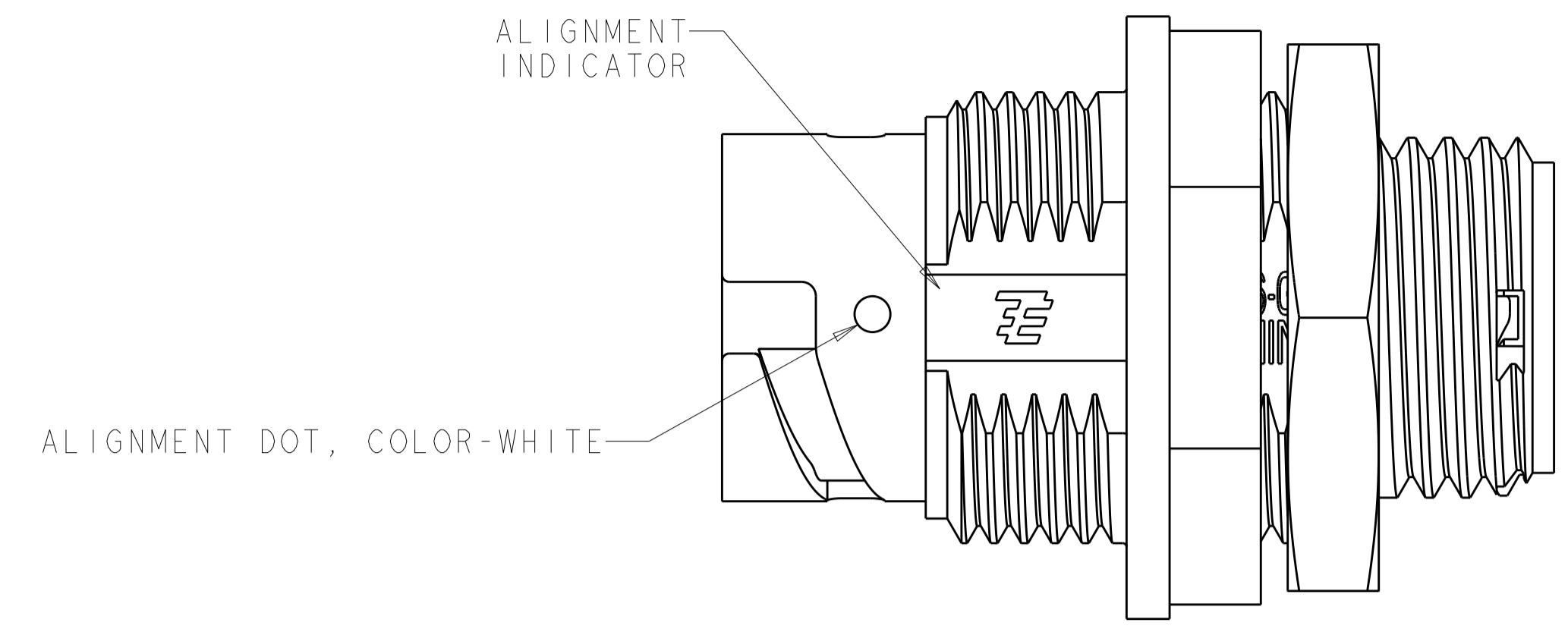
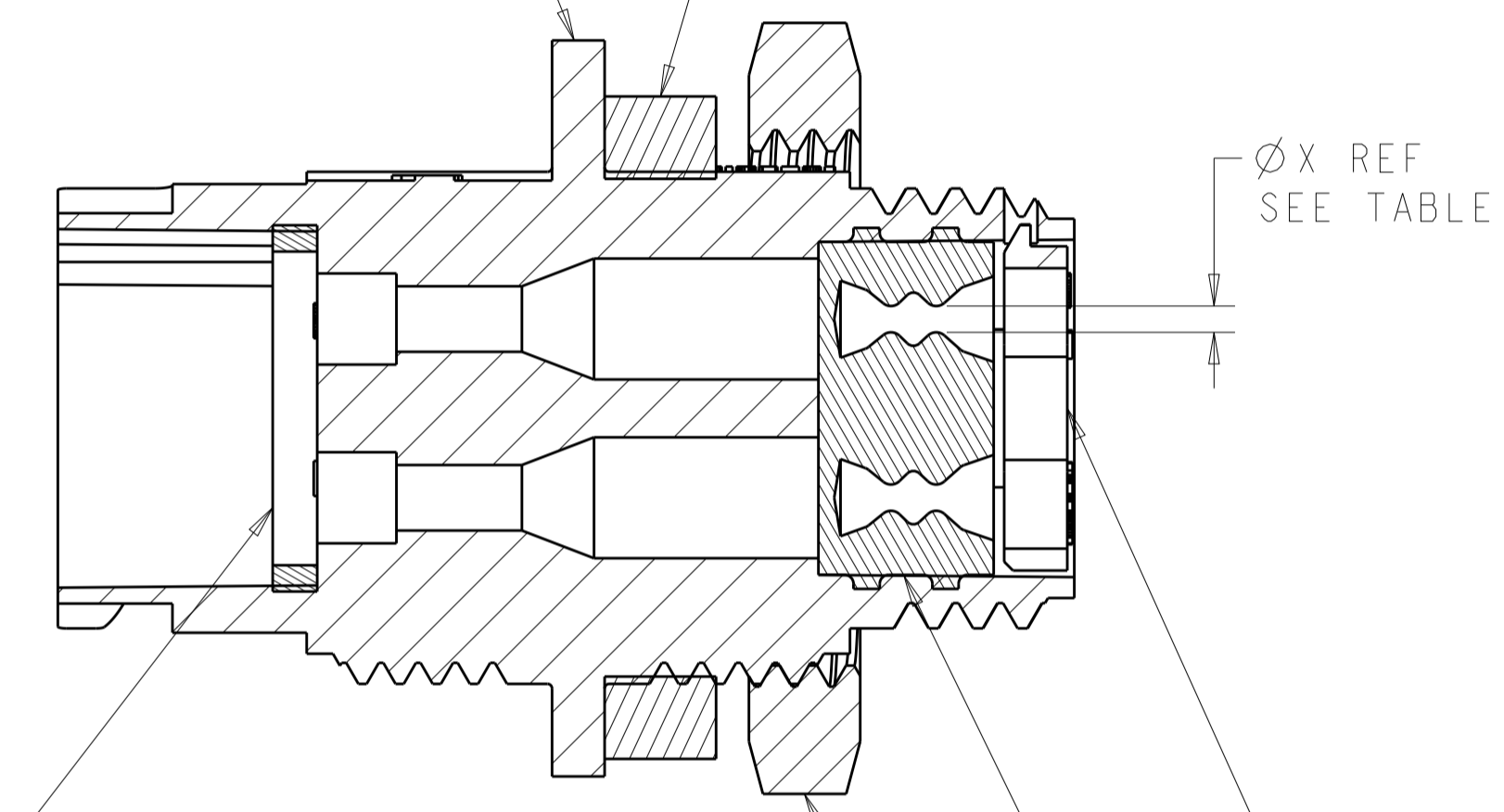


LOC		DIST		REVISIONS			
FT	0	P	LTM	DESCRIPTION	DATE	DWN	APVD
		B3		REVISED PER ECO-15-010004	13JUL2015	NK	MZ
		C		REVISED PER ECO-17-004650	06APR2017	BDA	MZ



HOUSING, RECEPTACLE; QTY-1
 MATERIAL: THERMOPLASTIC, COLOR-BLACK

SEAL, PANEL; SHOWN FOR REFERENCE ONLY, TO BE ORDERED SEPARATELY, PART #1445420-01

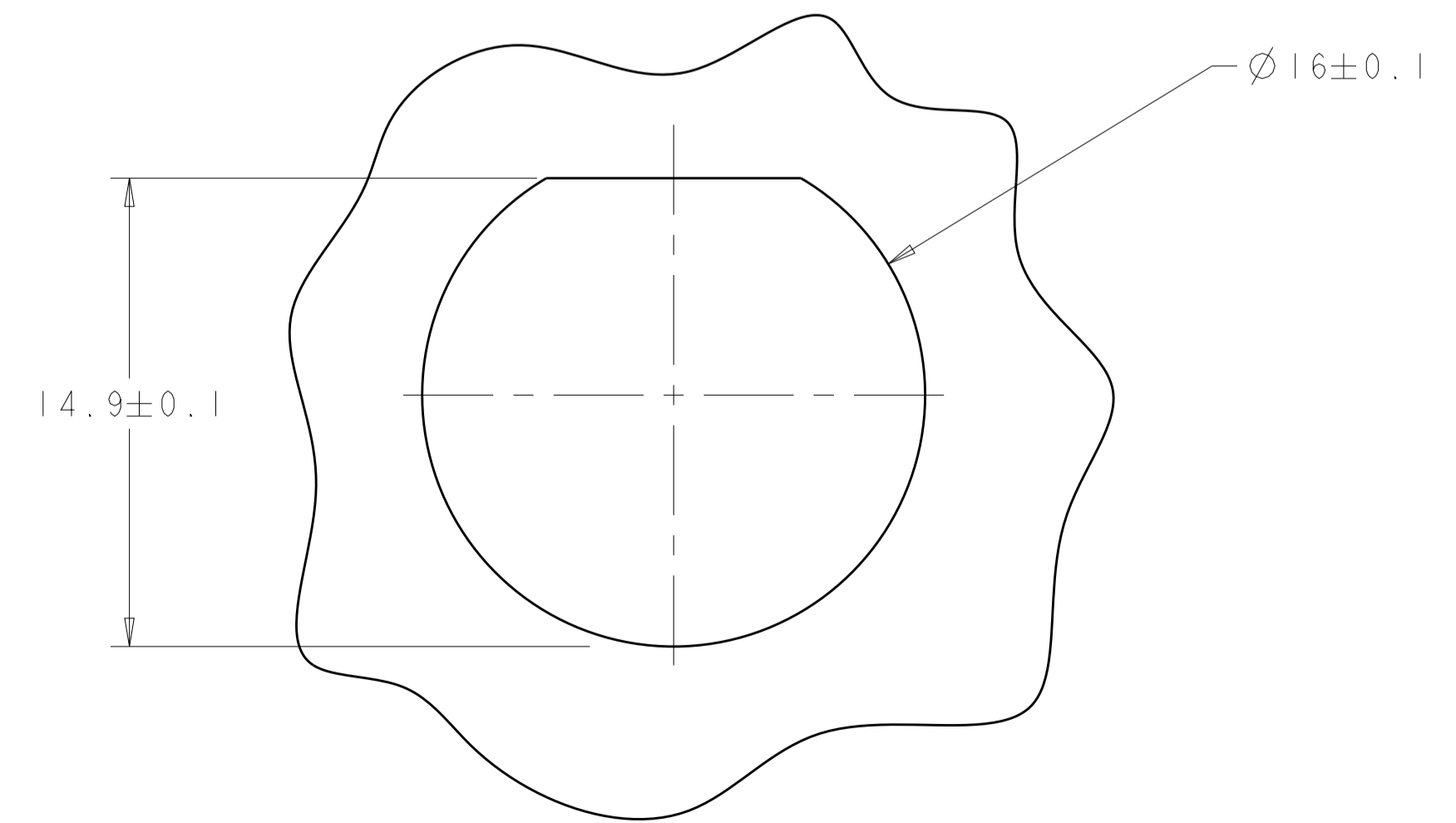
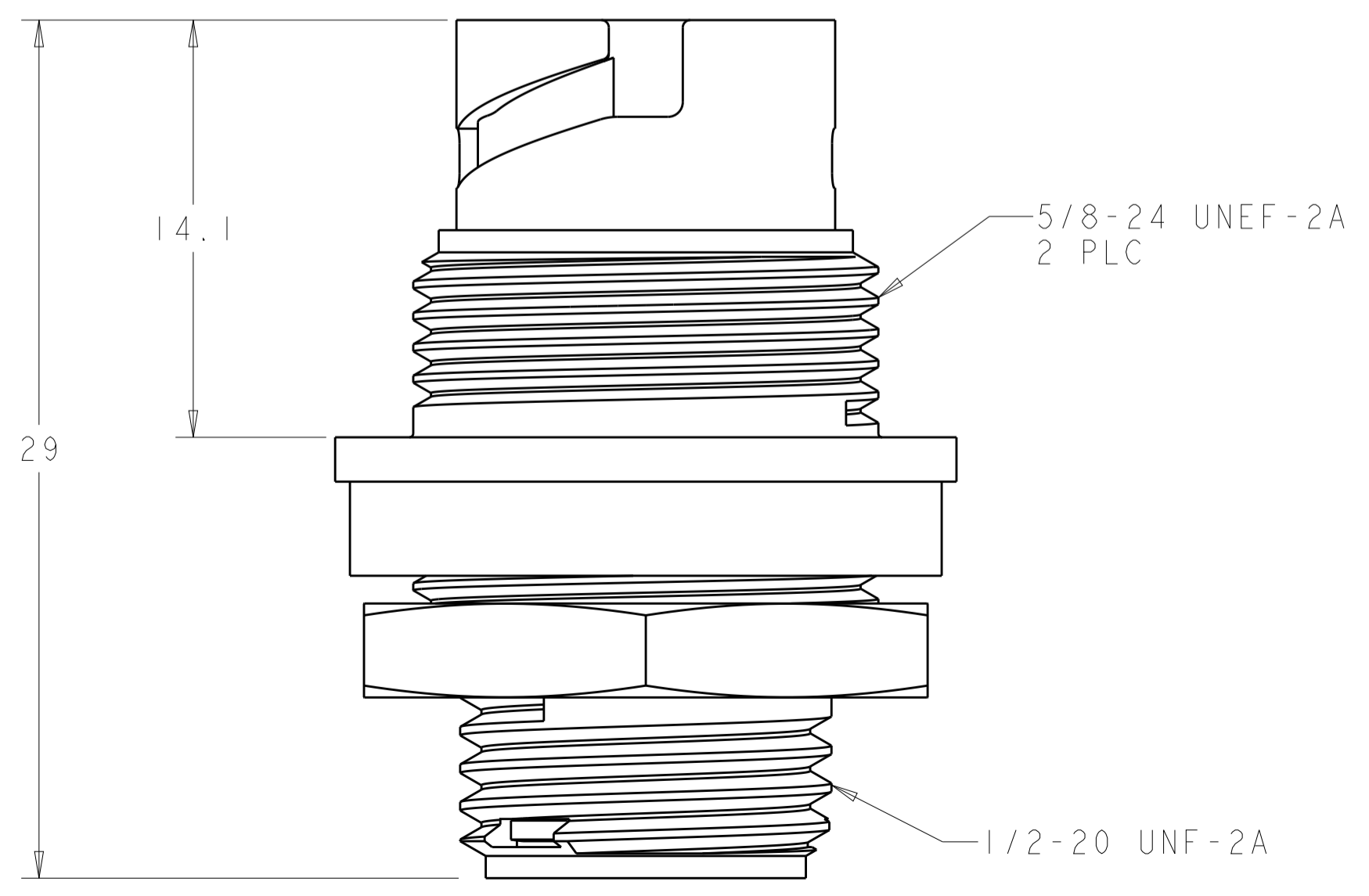
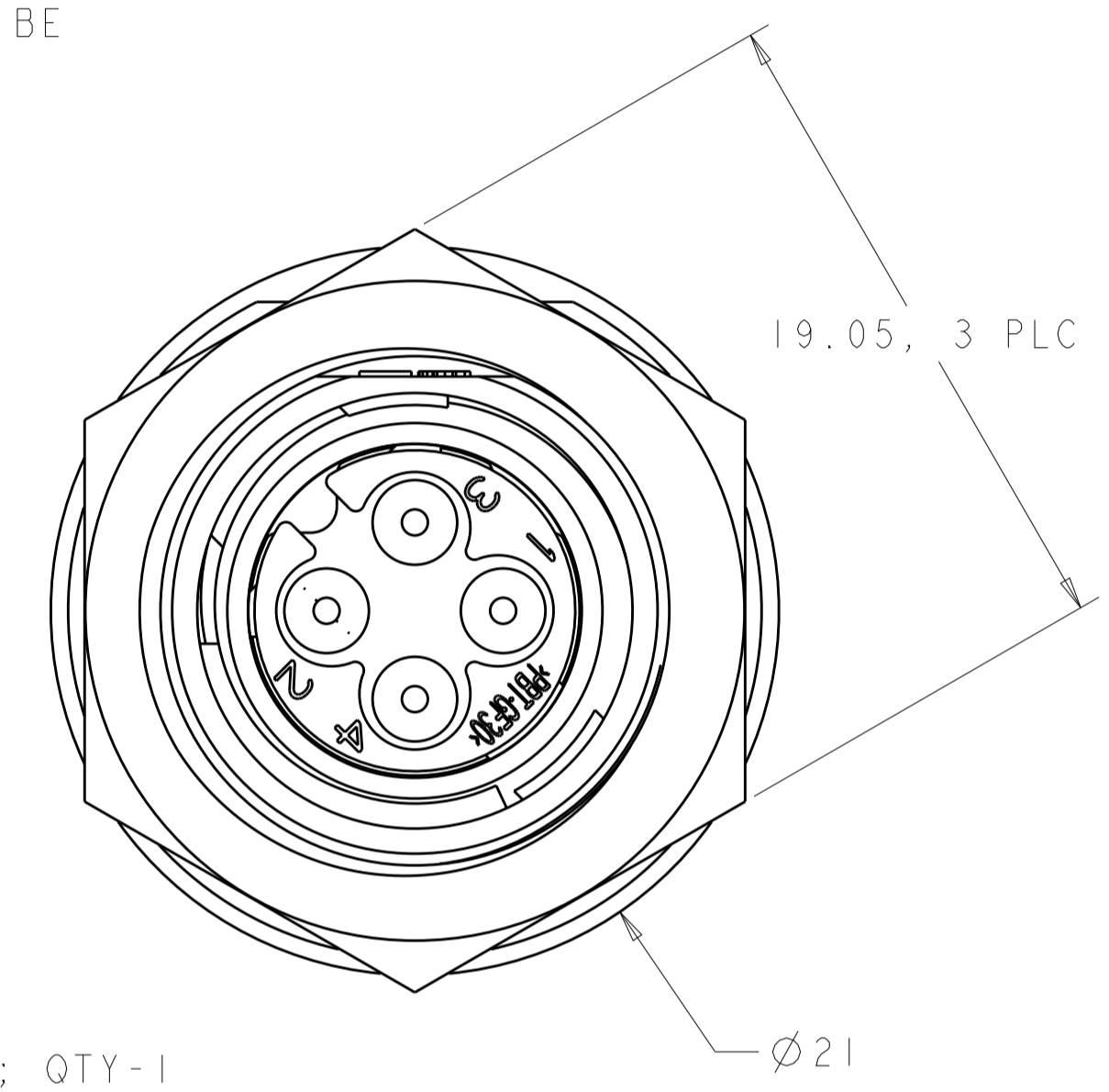


SEAL, PERIPHERAL; QTY-1
 MATERIAL: ELASTOMER, COLOR-GRAY

PLATE, SEAL RETENTION; QTY-1
 MATERIAL: THERMOPLASTIC, COLOR-BLACK

SEAL, WIRE ENTRY; QTY-1
 MATERIAL: ELASTOMER, COLOR-SEE TABLE

NUT, JAM; SHOWN FOR REFERENCE ONLY, TO BE ORDERED SEPARATELY, PART # 1604196-1



SUGGESTED PANEL CUTOUT Δ

1. CONNECTOR CAN BE FRONT OR REAR PANEL MOUNTED.
 Δ MAX PANEL THICKNESS - 3.18.

OBSOLETE	YELLOW	Ø0.75	130°	1445421-04
	NATURAL	Ø1.5	115°	1445421-03
OBSOLETE	NATURAL	Ø1.5	130°	1445421-02
	YELLOW	Ø0.75	115°	1445421-01
	SEAL, WIRE ENTRY COLOR	ØX REF	K REF	PART NUMBER

THIS DRAWING IS A CONTROLLED DOCUMENT.		DWN G. DOUTY 07MAR2001	TE Connectivity	
DIMENSIONS:		CHK H. WAKEEM 12JUN2003		
mm	TOLERANCES UNLESS OTHERWISE SPECIFIED:	APVD H. WAKEEM 12JUN2003	NAME ASSEMBLY, RECEPTACLE, SIZE 8, 4 POSITION, PANEL MOUNT, MINI CPC	
0 PLC ±	0.13	PRODUCT SPEC	SIZE CAGE CODE DRAWING NO RESTRICTED TO	
1 PLC ±	0.13	APPLICATION SPEC	A100779C=1445421	
2 PLC ±	0.13	WEIGHT	SCALE 5:1 SHEET 1 OF 1 REV C	
3 PLC ±	0.13	CUSTOMER DRAWING		
4 PLC ±	0.13			
ANGLES	±			
FINISH				