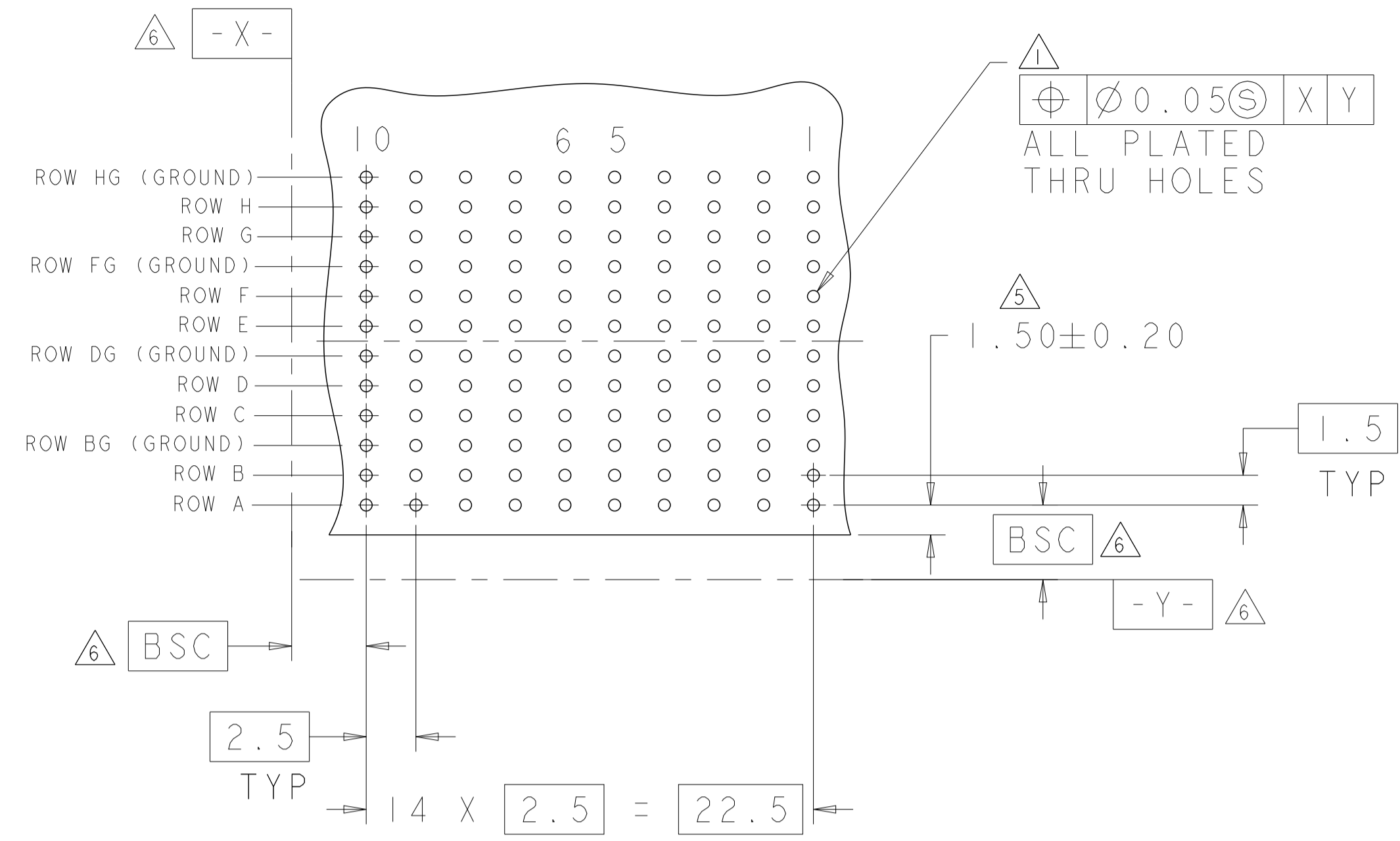
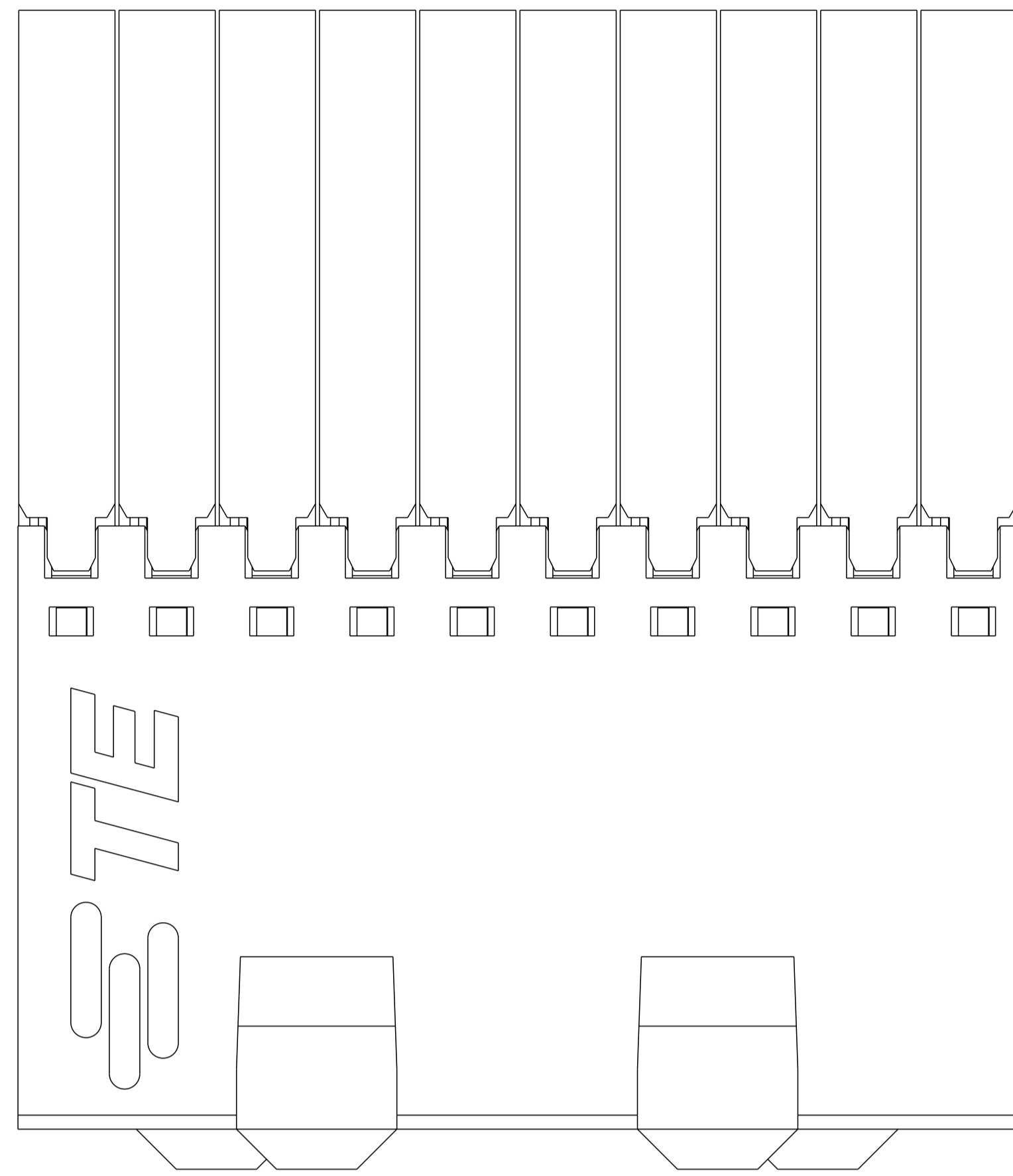
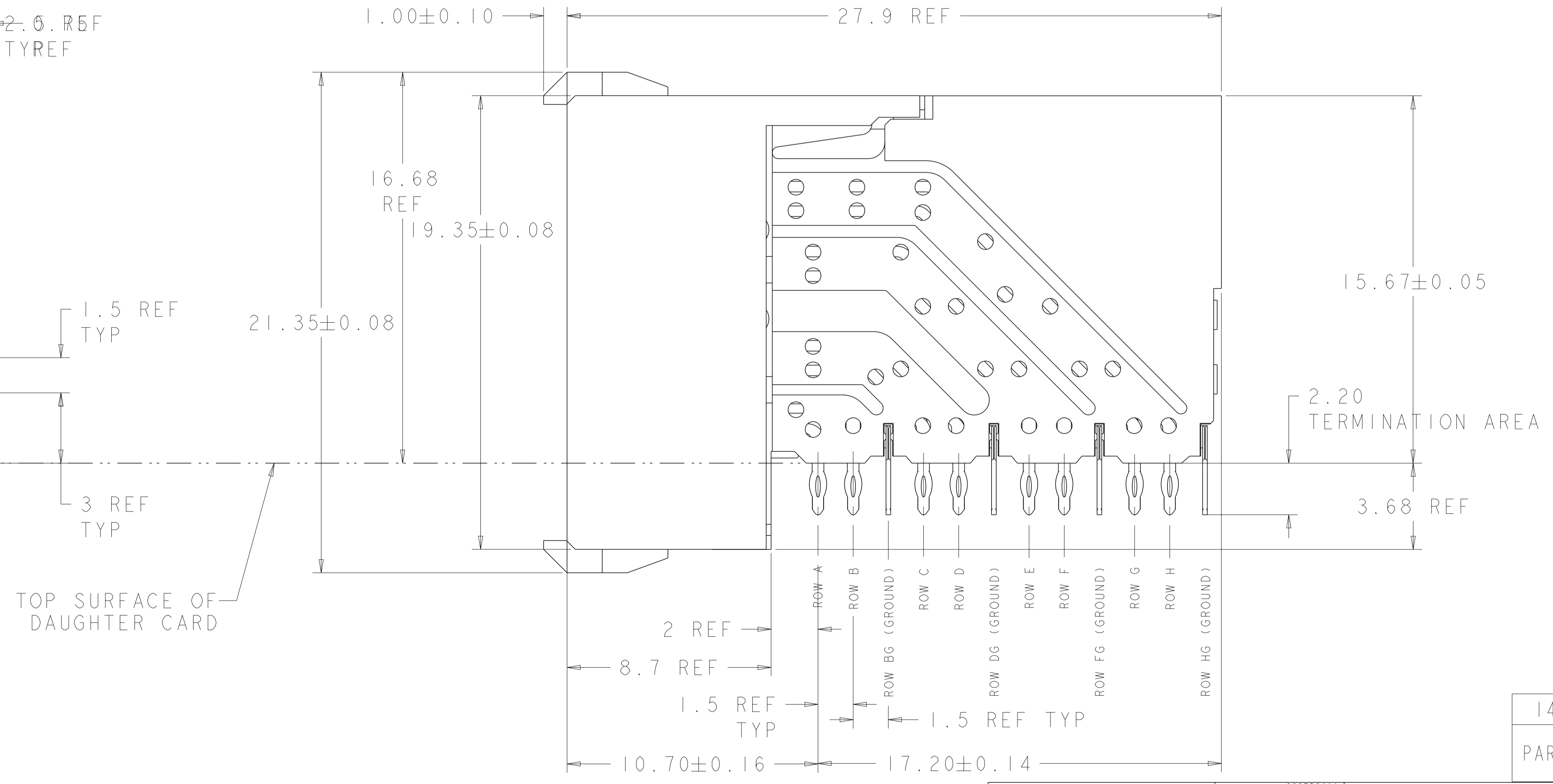
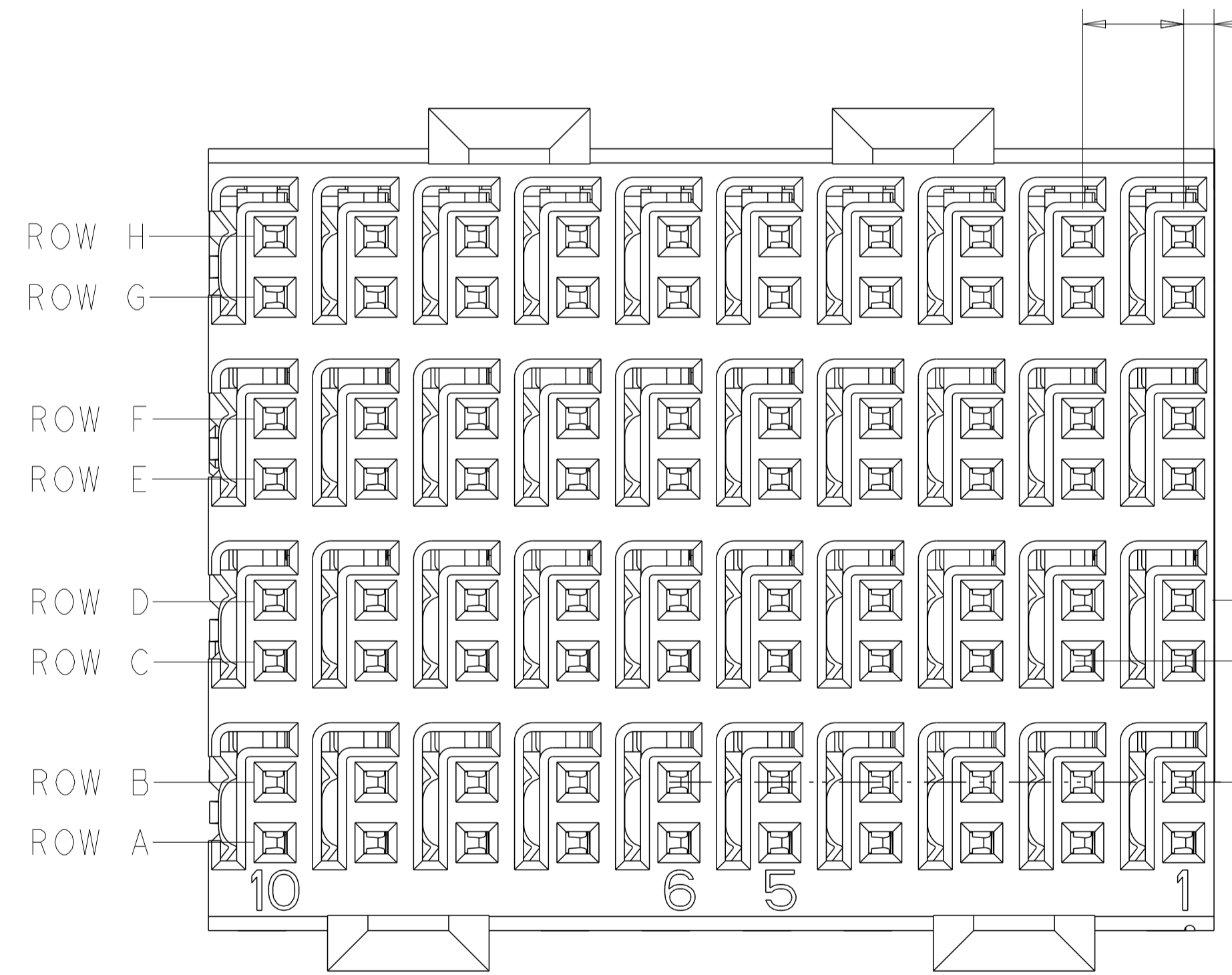


REVISIONS				
P	LTN	DESCRIPTION	DATE	APVD
G		REVISED PER ECO-14-005095	11APR2014	AP RP
H		REVISED PER ECO-16-008845	21SEP2016	AP RP
J		REVISED PER ECO-17-013036	13SEP2017	AP RP

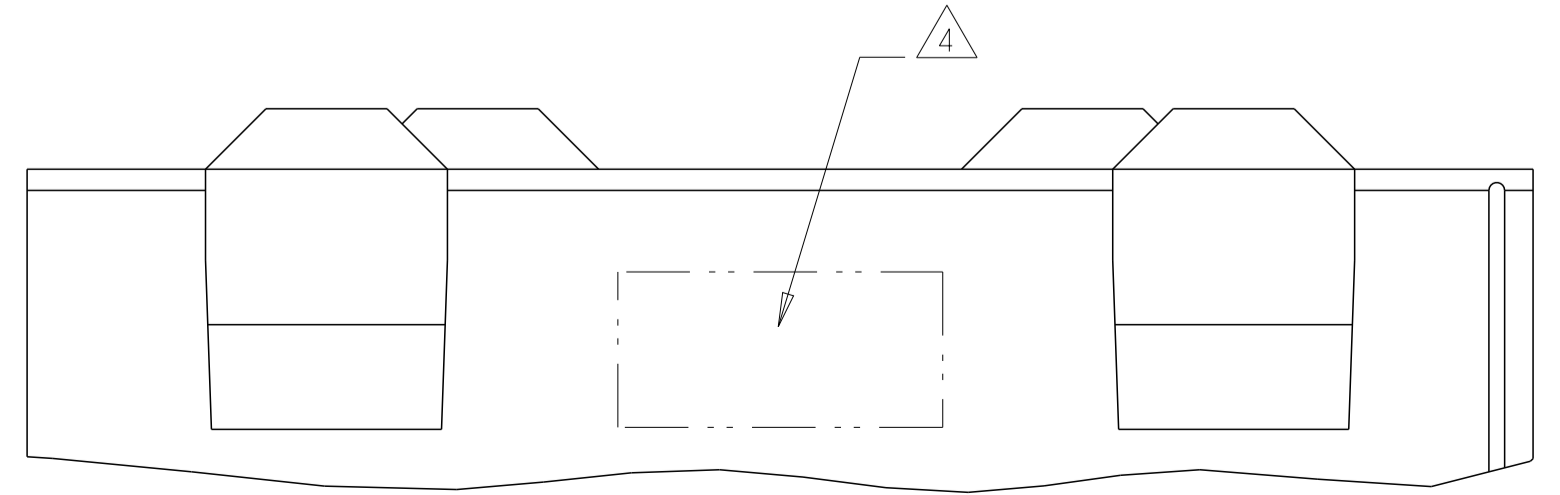


RECOMMENDED PC BOARD LAYOUT,  
 DAUGHTER BOARD,  
 COMPONENT SIDE SHOWN  
 SCALE 4:1

- $\triangle 1$  REFERENCE APPLICATION SPEC 114-13059 FOR RECOMMENDED PLATED THRU HOLE DIAMETER AND PLATING THICKNESSES.
- $\triangle 2$  MATERIAL:  
 SHIELD - PHOSPHOR BRONZE  
 CONTACT - COPPER-NICKEL-SILICON  
 HOUSING, CHICKLET AND CHICKLET COVER -  
 GLASS FILLED POLYESTER, UL 94V-0 RATED.
- $\triangle 3$  FINISH: SIGNAL AND GROUND CONTACTS:  
 MATING AREA: MEETS THE PERFORMANCE REQUIREMENTS OF  
 PRODUCT SPECIFICATION 108-2055; BASED ON TELCORDIA  
 GR-1217-CORE, APPLICATIONS IN UNCONTROLLED  
 ENVIRONMENTS  
 COMPLIANT PIN AREA: 0.5 $\mu$ m MIN BRIGHT  
 TIN-LEAD OVER BASE PLATING
- $\triangle 4$  CONNECTOR MARKED WITH PART NUMBER AND DATE CODE  
 IN APPROXIMATE AREA SHOWN
- $\triangle 5$  DIMENSION APPLIES TO CENTERLINE OF THRU HOLE.
- $\triangle 6$  DATUMS AND BASIC DIMENSIONS ESTABLISHED BY  
 CUSTOMER.
- 7. CONTACT AREA LUBRICATED WITH BELLCORE  
 APPROVED LUBRICANT. TECHNICAL REFERENCE:  
 GR-1217-CORE, ISSUE 1, NOVEMBER 1995.



TOP SURFACE OF  
 DAUGHTER CARD



1469001-1  
 PART NUMBER

THIS DRAWING IS A CONTROLLED DOCUMENT.		OWN S. KLINE/LAM 28SEP2000	TE Connectivity
DIMENSIONS:		CHK S. KLINE 28SEP2000	
mm	TOLERANCES UNLESS OTHERWISE SPECIFIED:	APVD S. KLINE 28SEP2000	NAME RECEPTACLE ASSEMBLY, 4 PAIR, HMZd
$\varnothing$	0 PLC #	PRODUCT SPEC	APPLICATION SPEC
$\varnothing$	1 PLC #	APPLICATION SPEC	SIZE CAGE CODE DRAWING NO RESTRICTED TO
$\varnothing$	2 PLC #	APPLICATION SPEC	A100779C=1469001
$\varnothing$	3 PLC #	APPLICATION SPEC	WEIGHT
$\varnothing$	4 PLC #	APPLICATION SPEC	CUSTOMER DRAWING
$\varnothing$	ANGLES #	FINISH	SCALE 8:1 SHEET 1 OF 1 REV J