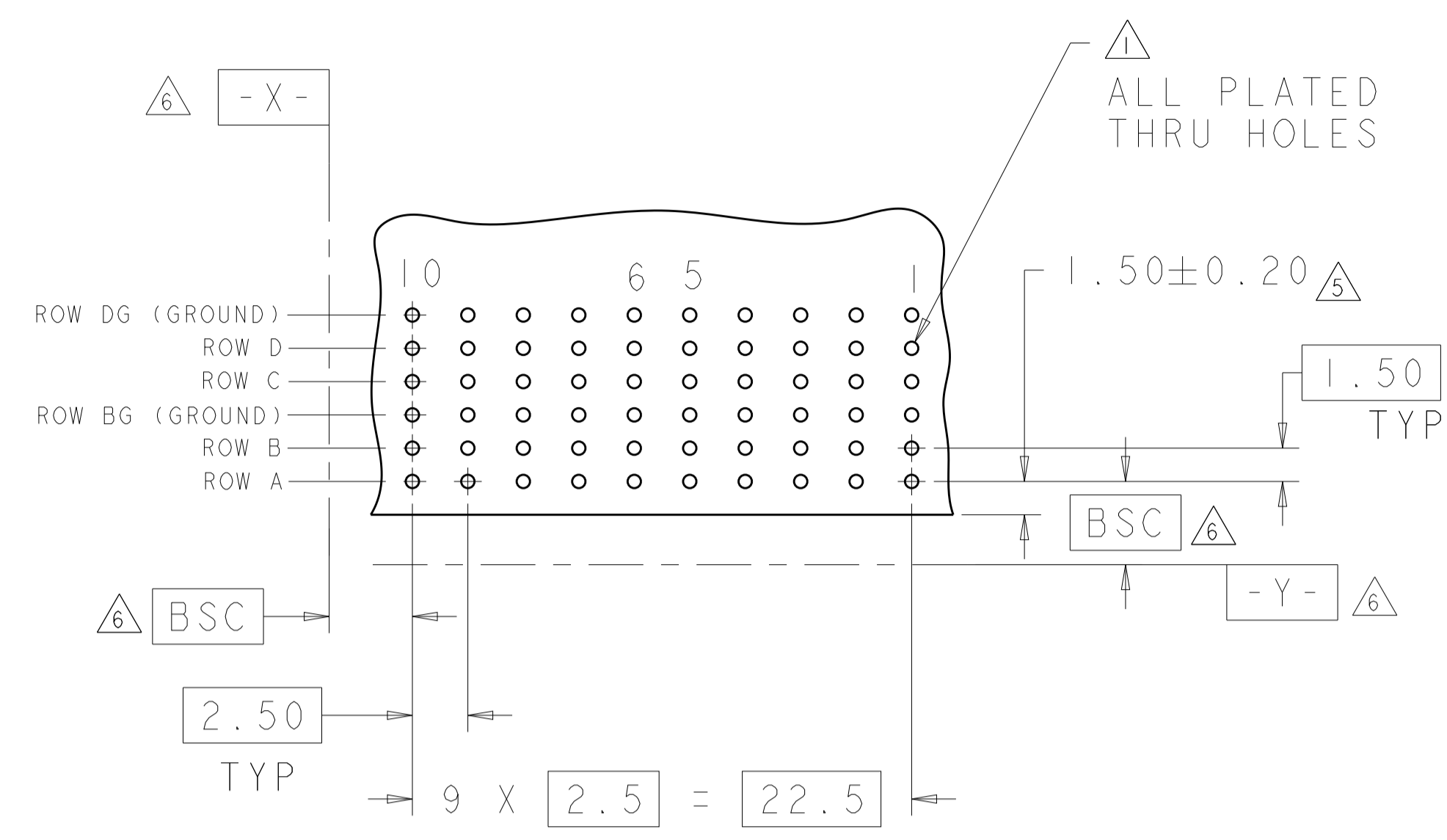
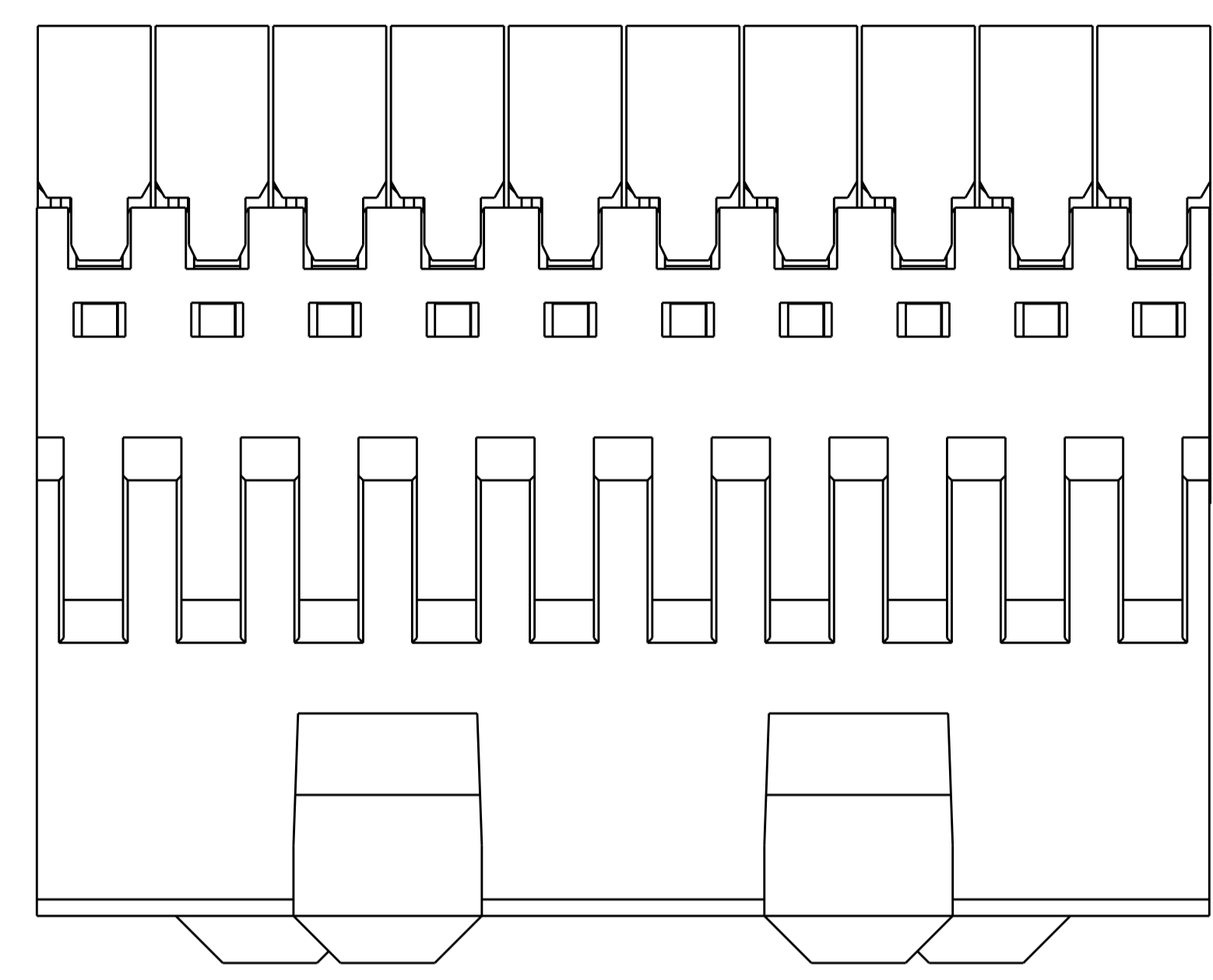
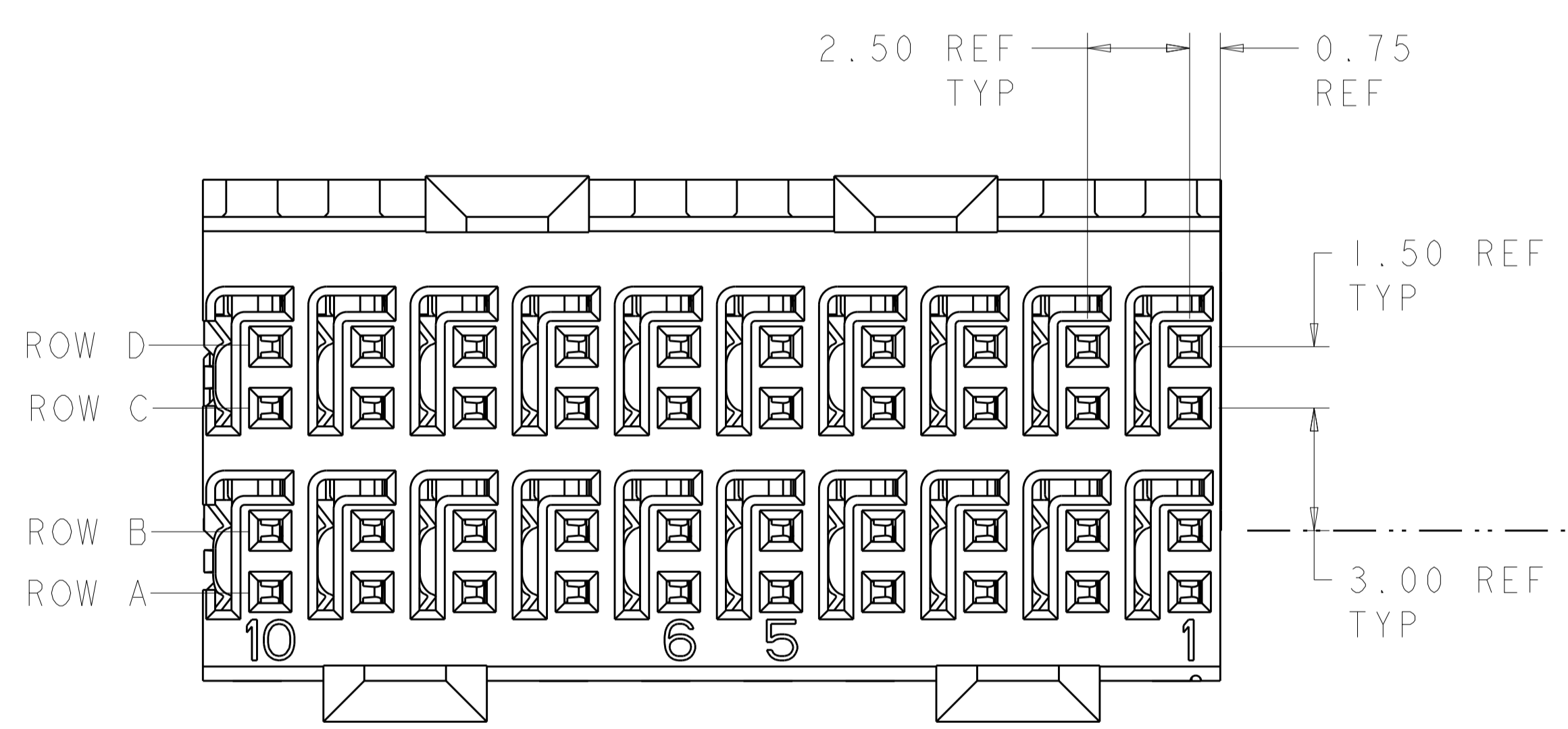


REVISIONS				
P.	LTN	DESCRIPTION	DATE	APV
E		REVISED PER ECO-14-005095	11APR2014	AP RP
F		REVISED PER ECO-16-008845	24SEP2016	AP RP

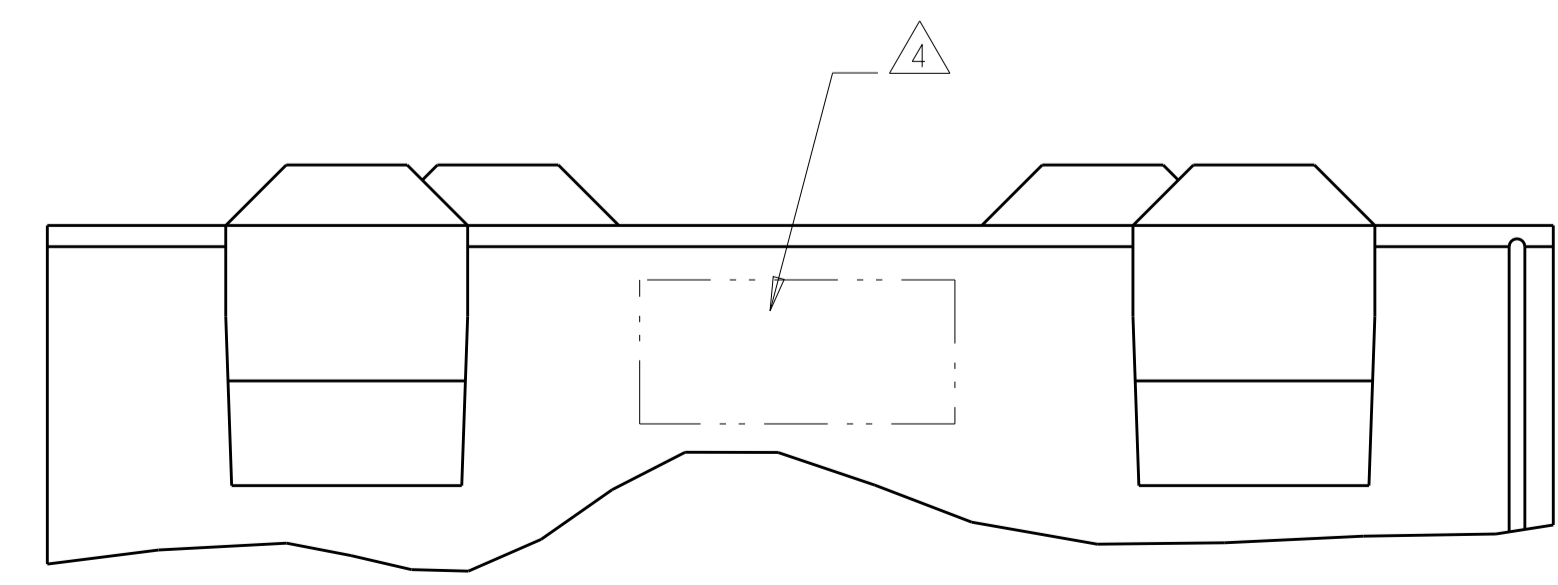
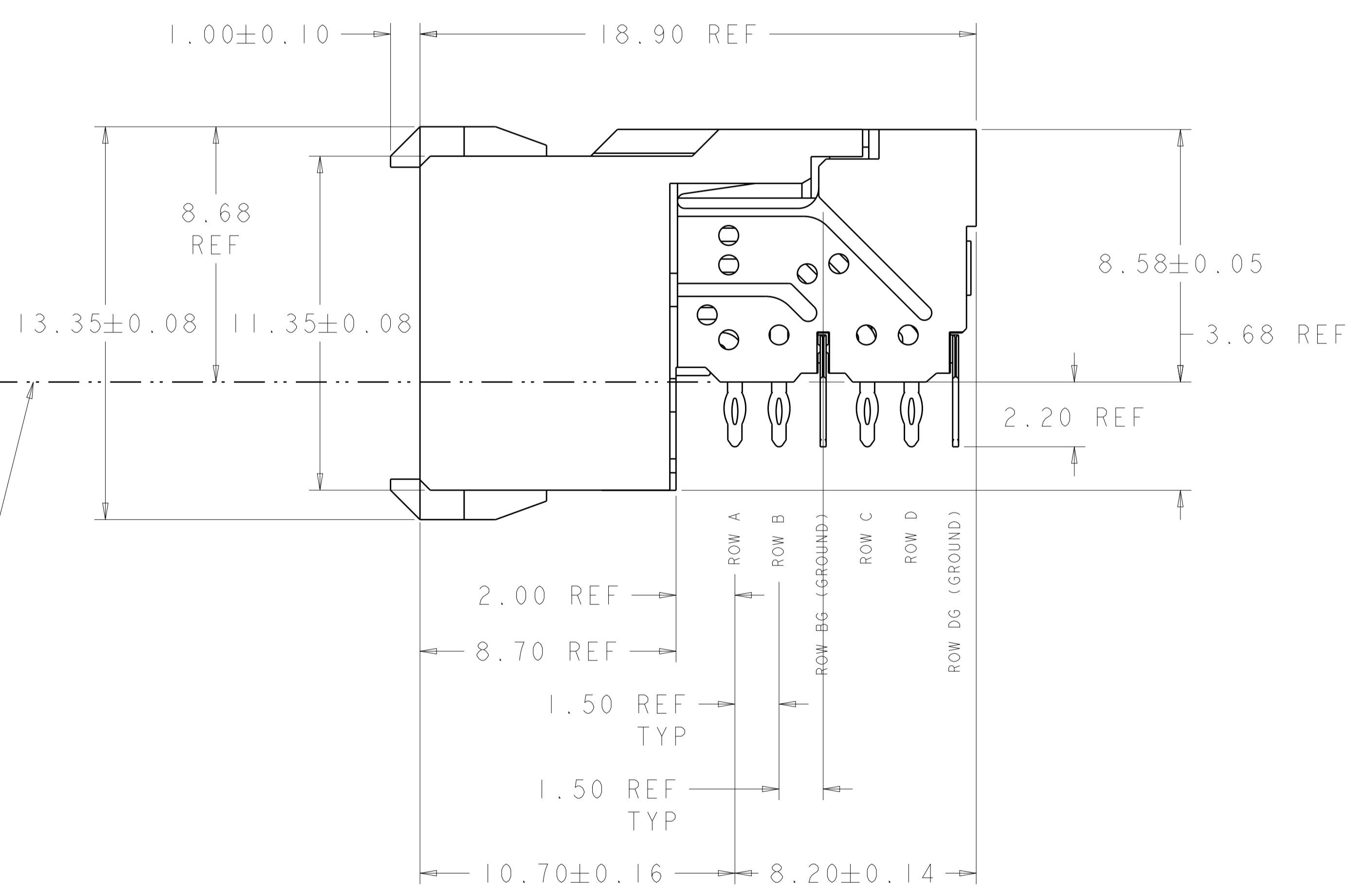


RECOMMENDED PC BOARD LAYOUT,
 DAUGHTER BOARD,
 COMPONENT SIDE SHOWN
 SCALE 4:1

- △ REFERENCE APPLICATION SPEC 114-13059 FOR RECOMMENDED PLATED THRU HOLE DIAMETER AND PLATING THICKNESSES.
- △ MATERIAL:
 SHIELD - PHOSPHOR BRONZE
 CONTACT - COPPER-NICKEL-SILICON
 HOUSING, CHICKLET AND CHICKLET COVER -
 GLASS FILLED POLYESTER, UL 94V-0 RATED.
- △ FINISH: SIGNAL AND GROUND CONTACTS:
 MATING AREA: MEETS THE PERFORMANCE REQUIREMENTS OF
 PRODUCT SPECIFICATION 108-2055; BASED ON TELCORDIA
 GR-1217-CORE, APPLICATIONS IN UNCONTROLLED
 ENVIRONMENTS
 COMPLIANT PIN AREA: 0.5µm MIN BRIGHT
 TIN-LEAD OVER BASE PLATING
- △ CONNECTOR MARKED WITH PART NUMBER AND DATE CODE
 IN APPROXIMATE AREA SHOWN
- △ DIMENSION APPLIES TO CENTERLINE OF THRU HOLE.
- △ DATUMS AND BASIC DIMENSIONS ESTABLISHED BY
 CUSTOMER.
- 7. CONTACT AREA LUBRICATED WITH BELLCORE
 APPROVED LUBRICANT. TECHNICAL REFERENCE:
 GR-1217-CORE, ISSUE 1, NOVEMBER 1995.



TOP SURFACE OF
 DAUGHTER CARD



1469028-1
 PART NUMBER

THIS DRAWING IS A CONTROLLED DOCUMENT.		OWN R.S. KLINE 12OCT2000	CHK R. PATTERSON 10MAY2007	APV R. PATTERSON 10MAY2007	NAME RECEPTACLE ASSEMBLY, 2 PAIR, 25mm, HMZd
DIMENSIONS: mm	TOLERANCES UNLESS OTHERWISE SPECIFIED:	PRODUCT SPEC		APPLICATION SPEC	RESTRICTED TO
0 PLC ±	1 PLC ±	SIZE		CAGE CODE	DRAWING NO
2 PLC ±	3 PLC ±	A100779		1469028	
4 PLC ±	ANGLES ±	WEIGHT		SCALE	SHEET
MATERIAL	FINISH	CUSTOMER DRAWING		8:1	1 OF 1
△2	△3			REV	F