

1479311-1 Product Details

[+ Share](#) | [Print](#) | [Email](#)

Detailed product features are not currently available online.

Product features can often be found by referring to the available documents. [Contact us](#) for information about this product.

No Image Available

PHLASSY,16 PRT,UNSHLD,ACO,CAT6

 Converted to EU RoHS/ELV Compliant (Statement of Compliance)

Quick Links

- [▶ Pricing & Availability](#)
- [▶ Search for Tooling](#)
- [▶ Contact Us About This Product](#)

1479311-1

TE Internal Number: 1479311-1

 **Active**

[Add to My Part List](#)

[Buy Product](#)

Documentation & Additional Information

Product Drawings:

- [ASSEMBLY, PANEL, 16 PORT, UNSHIELDED, ICONABLE, AMP ... \(PDF, English\)](#)

Catalog Pages/Data Sheets:

- None Available

Product Specifications:

- None Available

Application Specifications:

- None Available

Instruction Sheets:

- [AMP Communications Outlet \(ACO\) Single Port Kits \(Cat 6\) \(PDF, English\)](#)

CAD Files:

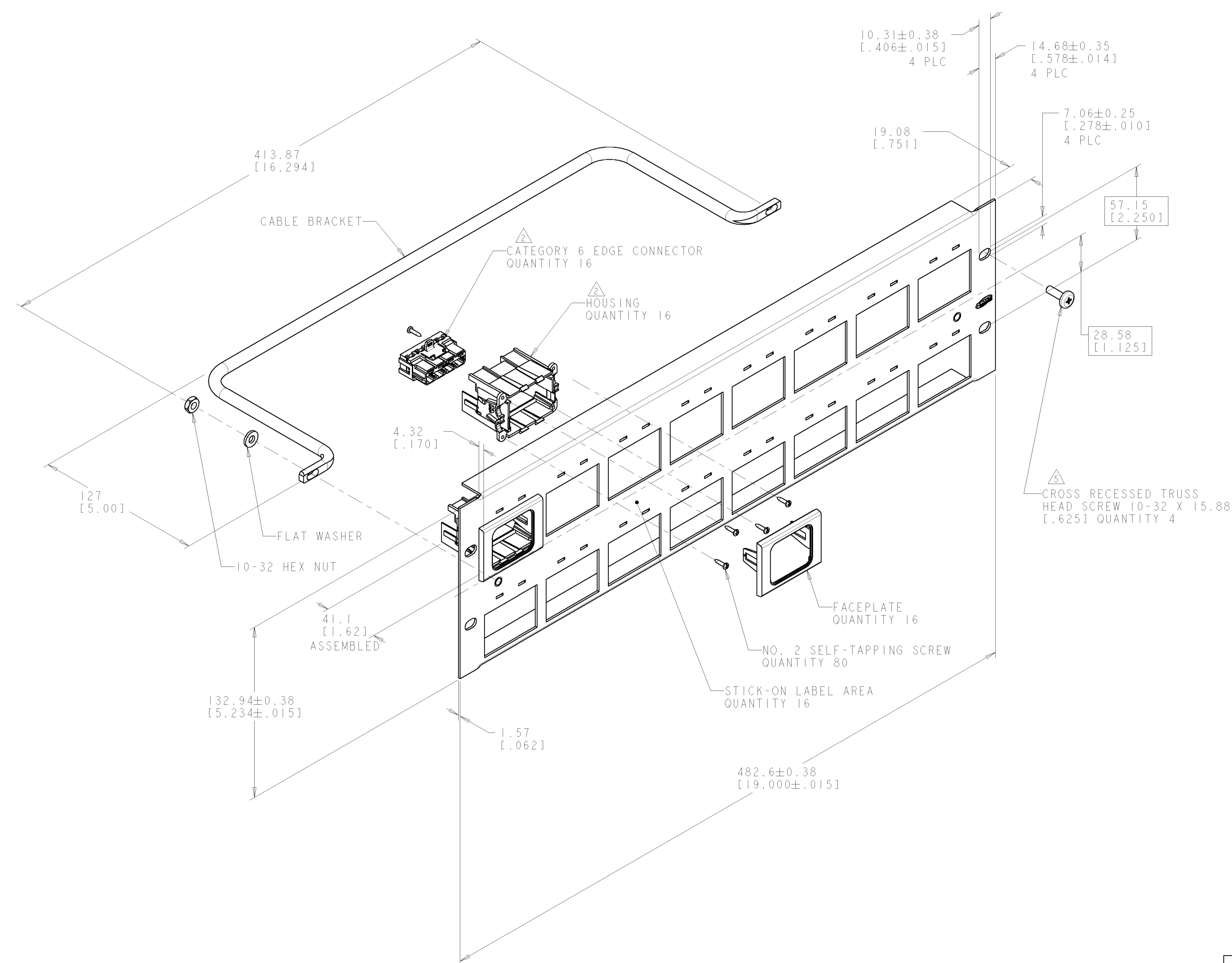
- None Available

Related Products:

- [Tooling](#)

[List all Documents](#)

LOC	DIST	REVISIONS			
P	LTR	DESCRIPTION	DATE	DWN	APVD
A		RLSD - NSD02-114	09DEC02	GG	CD
B		REV-EC 0B40-0106-03	09JUN03	LH	CD
C		REV-EC 0B40-0187-04	25AUG2004	LH	CC



- 1 DIMENSIONS ARE NOMINAL UNLESS OTHERWISE SPECIFIED.
- 2 PANEL - SHIPPED ASSEMBLED EXCEPT HARDWARE USED FOR MOUNTING TO RACK SHIPPED LOOSE. EDGE CONNECTOR COVERS AND FACEPLATES SHIPPED LOOSE.
- 3 MATERIAL : PANEL - ZINC PLATED CARBON STEEL, WITH FRONT PAINTED, BLACK. HOUSING - ABS MOLDING COMPOUND, BLACK. EDGE CONNECTOR HOUSING - ABS MOLDING COMPOUND, NICKEL PLATED. EDGE CONNECTOR COVER - POLYCARBONATE MOLDING COMPOUND, NICKEL PLATED (Ni+Cu+Ni) EDGE CONNECTOR TERMINALS - PHOSPOR BRONZE WITH GOLD PLATE OVER NICKEL PLATE IN CONTACT AREA AND TIN OVER NICKEL UNDERPLATE IN TERMINATION AREA CONNECTION MODULE - POLYCARBONATE MOLDING COMPOUND, GRAY. FACEPLATE - ABS MOLDING COMPOUND, BLACK. CABLE BRACKET - ALUMINUM ALLOY, BLACK ANODIZED. SCREWS - ZINC PLATED STEEL.
- 4 PANEL HAS TWO STAINLESS STEEL STUDS ON REAR OF PANEL FOR MOUNTING CABLE BRACKET.
- 5 TWO DIFFERENT HARDWARE MOUNTING SCREWS ARE SUPPLIED TO ACCOMODATE DIFFERENT PANEL DESIGNS, 10-32 X 15.86[1.625] AND 12-24 X 12.7[1.500].

BLACK	1479311-1
COLOR	PART NUMBER

DIMENSIONS: MM [INCHES]		TOLERANCES UNLESS OTHERWISE SPECIFIED: 0 PLC ± 1 PLC ± 2 PLC ± 3 PLC ± 4 PLC ± ANGLES ±		DWN LG GARRETT 28OCT2002 ENR L SMITH 09DEC2002 APVD C DOOLEY 09DEC2002		tyco Tyco Electronics Harrisburg, PA 17105-3608	
MATERIAL:		FINISH:		NAME: ASSEMBLY, PANEL, 16 PORT, UNSHIELDED, ICONABLE, AMP COMMUNICATIONS OUTLET, CATEGORY 6		SIZE: CAGE CODE DRAWING NO: RESTRICTED TO:	
WEIGHT:		APPLICATION SPEC:		A 00779 C=1479311		SCALE: 3:4 SHEET 1 OF 1 REV C	
CUSTOMER DRAWING				SCALE: 3:4 SHEET 1 OF 1 REV C			