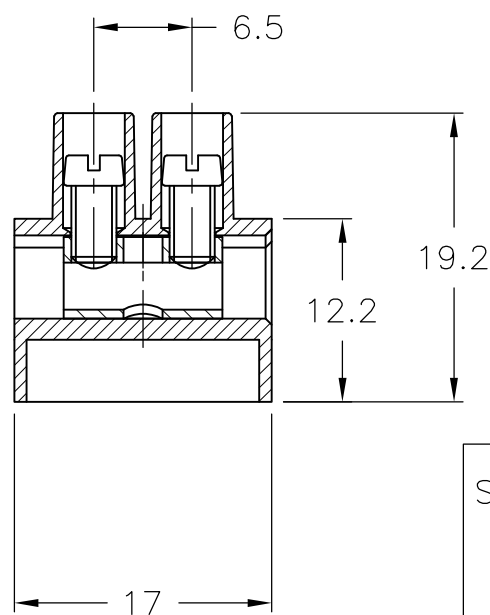
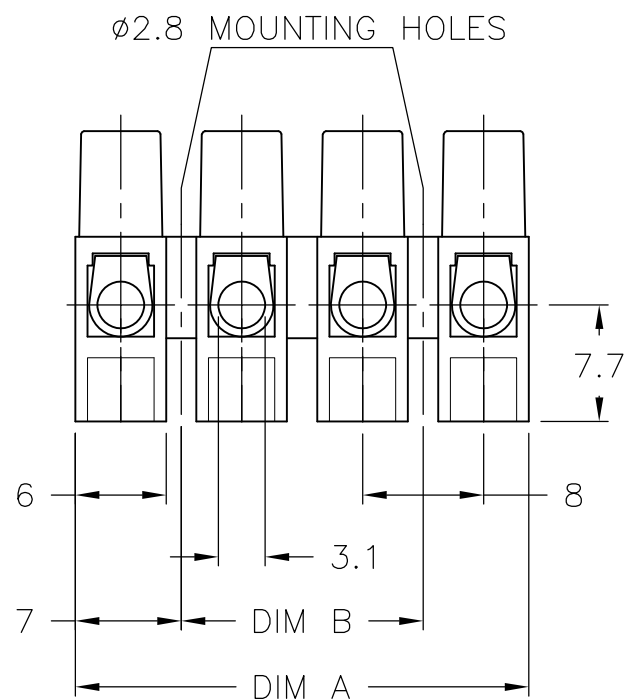


THIS DRAWING IS UNPUBLISHED. RELEASED FOR PUBLICATION
 © COPYRIGHT BY TYCO ELECTRONICS CORPORATION. ALL RIGHTS RESERVED.

LOC	DIST	REVISIONS			
P	LTR	DESCRIPTION	DATE	DWN	APVD
FT	0	A	RELEASED	6/4/03	SS CR
		A1	REVISED PER ECO-09-024927	06NOV09	KK AEG

NOTES:

- 1 MATERIAL:
 HOUSING - POLYAMIDE 6, UL94V-2.
 COLOR - NATURAL (OFF WHITE)
 TUBULAR CONTACT - BRASS TIN, PLATED.
 SCREWS - M3 STEEL, ZINC PLATED W/ CHROMATE.
- 2. CURRENT RATING: 30A
 OPERATING VOLTAGE: 250V
 WIRE RANGE: 12-26 AWG
- 3. CONTINUOUS OPERATING TEMP: 100° C MAX.
- 4 OBSOLETE PARTS: OBSOLETE CIS STREAMLINING
 PER D.RENAUD/D.SINISI



SUPERCEDED 4	80	94	12	TSB23012DM	1-1546135-2
	72	86	11	TSB23011DM	1-1546135-1
	64	78	10	TSB23010DM	1-1546135-0
	56	70	9	TSB23009DM	1546135-9
	48	62	8	TSB23008DM	1546135-8
SUPERCEDED 4	40	54	7	TSB23007DM	1546135-7
	32	46	6	TSB23006DM	1546135-6
	24	38	5	TSB23005DM	1546135-5
	16	30	4	TSB23004DM	1546135-4
	8	22	3	TSB23003DM	1546135-3
	-	14	2	TSB23002DM	1546135-2
	-	6	1	TSB23001DM	1546135-1
	DIM B	DIM A	NO. OF POS.	CATALOG NUMBER	PART NO.

THIS DRAWING IS A CONTROLLED DOCUMENT.		DWN S SCHLEGEL 04JUN03	BUCHANAN Tyco Electronics Corporation Harrisburg, PA 17105			
DIMENSIONS: MM		CHK C RICHARD 6/4/03				
TOLERANCES UNLESS OTHERWISE SPECIFIED:		APVD C RICHARD 6/4/03	NAME 8mm PITCH, TERMINAL BLOCK - HIGH CURRENT			
0 PLC ± - 1 PLC ± .3 2 PLC ± .25 3 PLC ± - 4 PLC ± - ANGLES ± 2°		PRODUCT SPEC -	RESTRICTED TO -			
MATERIAL - 1		FINISH - 1	APPLICATION SPEC -	SIZE A3	CAGE CODE 00779	DRAWING NO C-1546135
CUSTOMER DRAWING			WEIGHT -	SCALE 2:1	SHEET 1 OF 1	REV A1

Mouser Electronics

Authorized Distributor

Click to View Pricing, Inventory, Delivery & Lifecycle Information:

[TE Connectivity:](#)

[1546135-7](#)