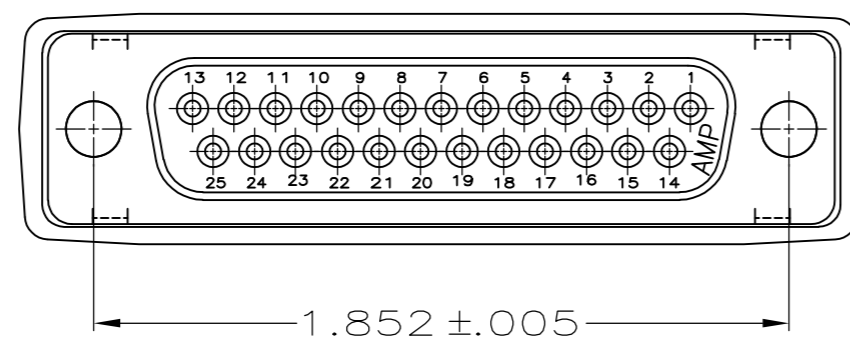
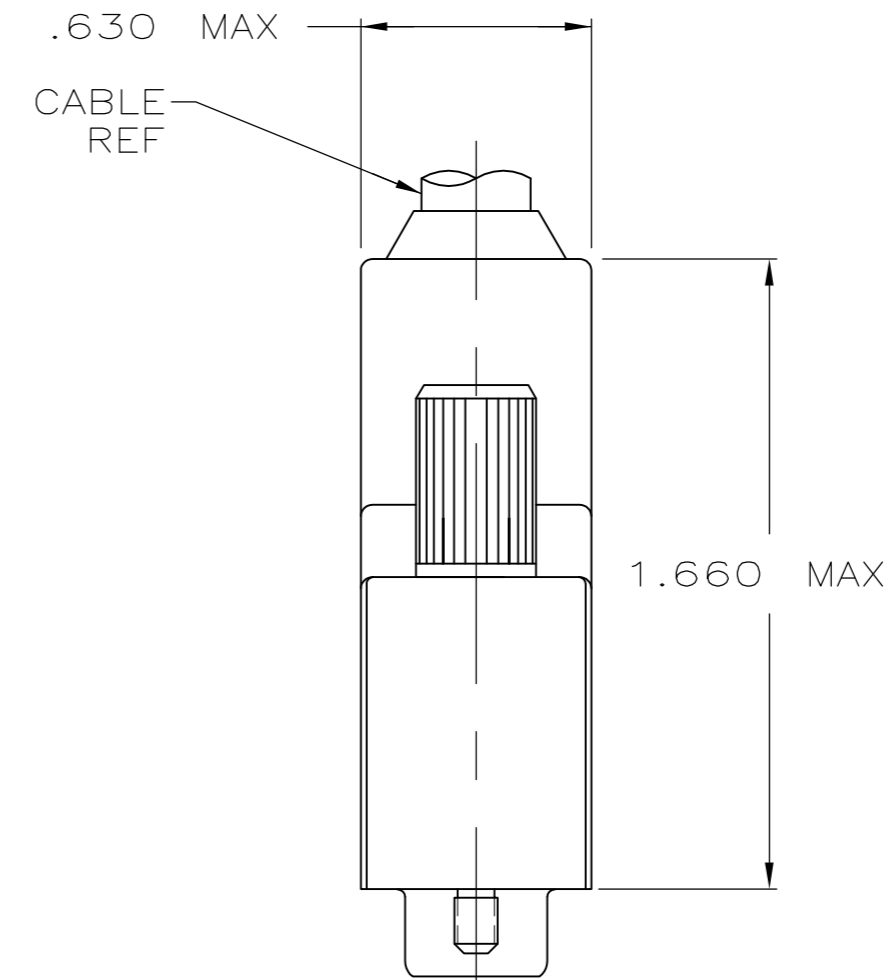
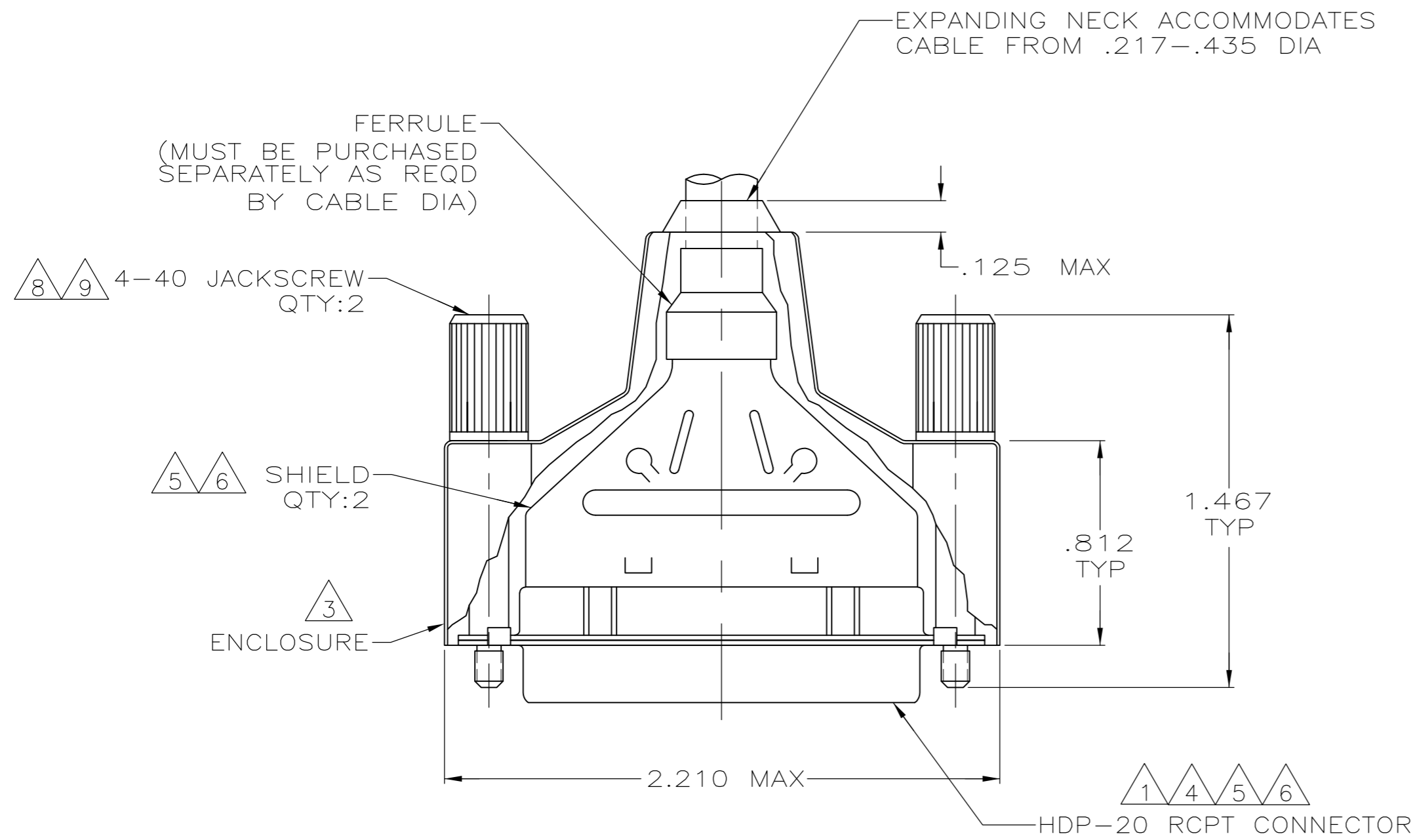


THIS DRAWING IS UNPUBLISHED. RELEASED FOR PUBLICATION  
 © COPYRIGHT - By - ALL RIGHTS RESERVED.

REVISIONS				
P	LTR	DESCRIPTION	DATE	APVD
D		REVISED PER ECO-17-002903	20MAR2017	AP DG



- 1 RCPT ACCEPTS SIZE 20 DF SOCKET CONTACTS. CONTACTS MUST BE PURCHASED SEPARATELY.
- 2 ALL PARTS SHIPPED UNASSEMBLED.
- 3 FLAME RETARDANT 94V-0 RATED, STYRENE POLYOLEFIN OR PVC, BLACK.
- 4 INSERT - FLAME RETARDANT 94V-0 RATED GLASS FILLED, NYLON OR POLYESTER, BLACK.
- 5 SHELLS & SHIELDS - STEEL PER ASTM A109.
- 6 SHELLS & SHIELDS - .000200 MIN TIN PLATE OVER .000100 MIN COPPER UNDERPLATE.
- 7 COMPONENTS INDIVIDUALLY BULK PACKED.
- 8 CARBON STEEL, C1022.
- 9 BLACK ZINC FLAKE COATING.

7	W/ LOGOS	1658658-1
PACKAGING	REMARKS	PART NUMBER

THIS DRAWING IS A CONTROLLED DOCUMENT.		DWN J.REITZEL 31JUL03	<b>TE</b> TE Connectivity	
DIMENSIONS: mm		CHK S.BOLASH 31JUL03		
TOLERANCES UNLESS OTHERWISE SPECIFIED:		APVD M.WALMSLEY 31JUL03	NAME	
0 PLC ± -		PRODUCT SPEC 108-40030	BULK KIT, RCPT, SHIELDING	
1 PLC ± -		APPLICATION SPEC 114-40030	ENCLOSURE, SIZE 3, 25 POSN,	
2 PLC ± -		WEIGHT 0.000000	SIZE A2	CAGE CODE 00779
3 PLC ± .020		CUSTOMER DRAWING	DRAWING NO C=1658658	RESTRICTED TO -
4 PLC ± -			SCALE 2:1	SHEET 1 of 1
4 ANGLES ± -			REV D	
FINISH				