

THIS DRAWING IS UNPUBLISHED. RELEASED FOR PUBLICATION AUG, 2006.

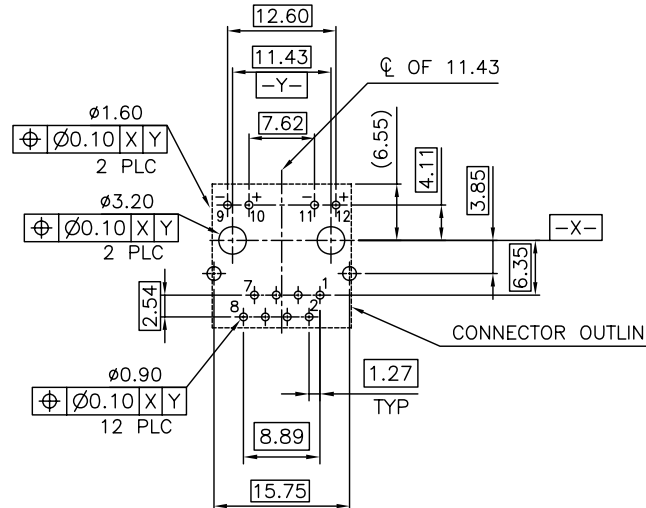
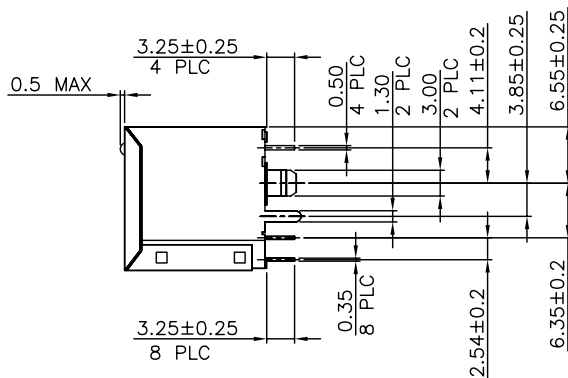
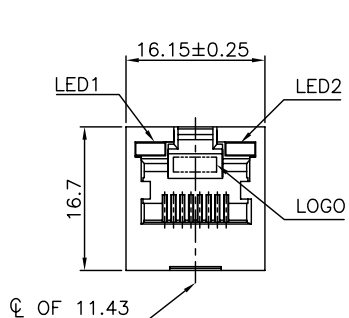
© COPYRIGHT BY TYCO ELECTRONICS CORPORATION. ALL RIGHTS RESERVED.

LOC	DIST	REVISIONS					
DW	-	P	LTR	DESCRIPTION	DATE	DWN	APVD
		C		REVISED (ECR-09-012363)	26MAY09	BH	WK

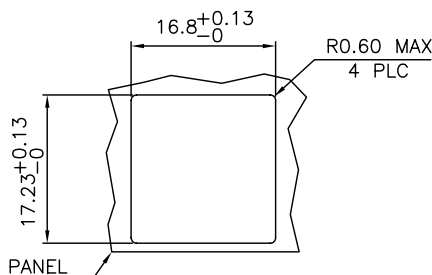
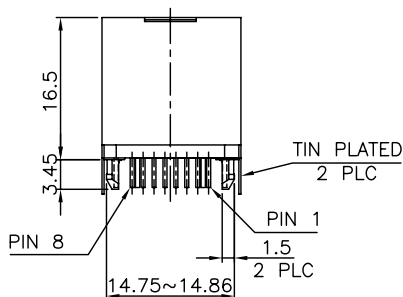
LED SCHEMATIC	
LED1	LED2
GREEN	YELLOW
9-+10	11-+12
FOR 1734577-X	

LED SCHEMATIC	
LED1	LED2
GREEN	GREEN
9-+10	11-+12
FOR 1-1734577-X	

LED SCHEMATIC	
LED1	LED2
RED	RED
GREEN	GREEN
9-+10	11-+12
FOR 2-1734577-X	



RECOMMENDED PCB LAYOUT TOLERANCE: ±0.05 (TOP VIEW)



RECOMMENDED SUGGESTED PANEL CUTOUT

NOTE:

- MATERIAL:  
HOUSING: PA46, WITH 30% GF, UL 94V-0, BLACK COLOR.  
CONTACTS: PHOSPHOR BRONZE.  
SHELL: BRASS.  
LED SOLDER TAIL: STEEL.
- FINISH:  
CONTACTS: (SEE TABLE) GOLD PLATED ON CONTACT AREA, GOLD FLASH ON SOLDER TAIL, WITH ENTIRE CONTACT UNDERPLATED 1.27µm [50µ"] MIN. NICKEL.  
SHELL: 0.508µm [20µ"] MIN. NICKEL PLATED.  
LED SOLDER TAIL: 2.159µm [85µ"] MIN. TIN PLATED.
- LED MUST BE REFLOW COMPATIBLE TO FOLLOWING TEMPERATURE PROFILE (FOR 1 CYCLE): ABOVE 160°C FOR 120 SECONDS, PEAKING AT 245°C FOR 20~40 SECONDS.
- LED DEFECT RATE IS 6000PPM MAX. AFTER IR REFLOW PROCESS AS NOTE 3.
- WAVE SOLDER CAPABLE TO 265°C PER TE SPEC 109-202, CONDITION B.

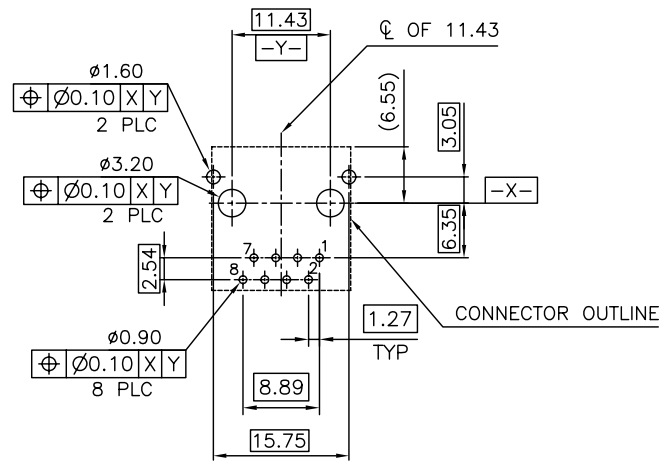
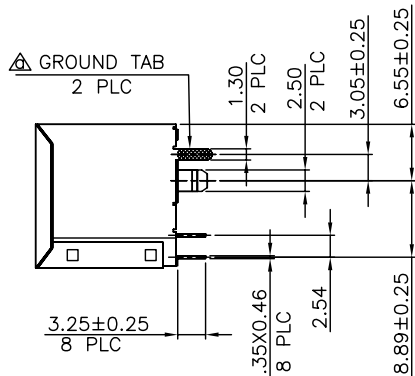
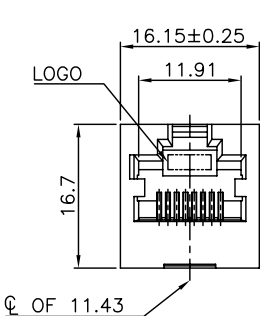
RED/ GREEN	RED/ GREEN	1.27µm [50µ"]	2-1734577-4
		0.762µm [30µ"]	2-1734577-3
		0.381µm [15µ"]	2-1734577-2
		0.152µm [6µ"]	2-1734577-1
GREEN	GREEN	1.27µm [50µ"]	1-1734577-4
		0.762µm [30µ"]	1-1734577-3
		0.381µm [15µ"]	1-1734577-2
		0.152µm [6µ"]	1-1734577-1
YELLOW	GREEN	1.27µm [50µ"]	1734577-4
		0.762µm [30µ"]	1734577-3
		0.381µm [15µ"]	1734577-2
		0.152µm [6µ"]	1734577-1
LED2	LED1	MIN. GOLD THICKNESS	PART NUMBER
INDICATOR COLOR			

THIS DRAWING IS A CONTROLLED DOCUMENT.		DWN B. HSING	26MAY2009	Tyco Electronics Corporation Tyco Electronics Corporation Taipei, Taiwan	
DIMENSIONS: MM		CHK S. CHIEN	26MAY2009	NAME	
TOLERANCES UNLESS OTHERWISE SPECIFIED:		APVD W. KODAMA	26MAY2009	PRODUCT SPEC	
0 PLC ± -		108-57527		APPLICATION SPEC	
1 PLC ± 0.30		501-57604		WEIGHT	
2 PLC ± 0.20		6.55 GRAMS		SIZE	
3 PLC ± 0.15		CUSTOMER DRAWING		CAGE CODE	
4 PLC ± -		SCALE		DRAWING NO	
ANGLES ± 3'		SHEET		RESTRICTED TO	
MATERIAL		1 OF 3		REV C	
SEE NOTE		SEE NOTE			

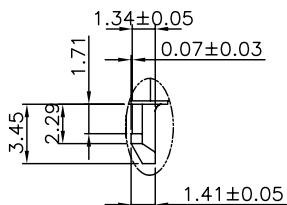
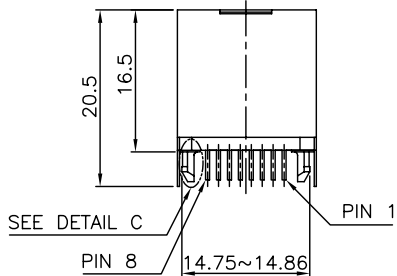
THIS DRAWING IS UNPUBLISHED. RELEASED FOR PUBLICATION AUG ,2006.

© COPYRIGHT BY TYCO ELECTRONICS CORPORATION. ALL RIGHTS RESERVED.

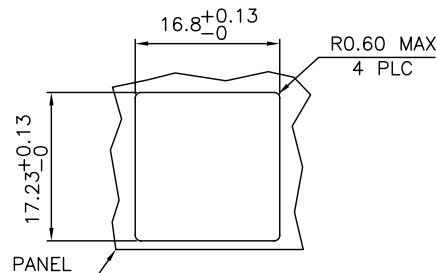
LOC	DIST	REVISIONS					
DW	-	P	LTR	DESCRIPTION	DATE	DWN	APVD
				SEE SHEET 1.			



RECOMMENDED PCB LAYOUT  
TOLERANCE: ±0.05 (TOP VIEW)



DETAIL C (SCEALE 2:1)



RECOMMENDED SUGGESTED PANEL CUTOUT

1.27µm [50µ"]	3-1734577-5
1.27µm [50µ"]	3-1734577-4
0.762µm [30µ"]	3-1734577-3
0.381µm [15µ"]	3-1734577-2
0.152µm [6µ"]	3-1734577-1
MIN. GOLD THICKNESS	PART NUMBER

NOTE:

- MATERIAL:  
HOUSING: PA46, WITH 30% GF,  
UL 94V-0, BLACK COLOR.  
CONTACTS: PHOSPHOR BRONZE.  
SHELL: BRASS.
- FINISH:  
CONTACTS: (SEE TABLE) GOLD PLATED ON CONTACT AREA,  
GOLD FLASH ON SOLDER TAIL,  
WITH ENTIRE CONTACT UNDERPLATED  
1.27µm [50µ"] MIN. NICKEL.  
SHELL: 0.508µm [20µ"] MIN. NICKEL PLATED.  
⚠️ POST DIPPED WITH TIN ON PCB GROUND TABS.
- WAVE SOLDER CAPABLE TO 265°C PER TE SPEC 109-202, CONDITION B.

"MODULAR JACK WITHOUT LED"

THIS DRAWING IS A CONTROLLED DOCUMENT.		DWN		Tyco Electronics Corporation Taipei, Taiwan																							
DIMENSIONS: MM		TOLERANCES UNLESS OTHERWISE SPECIFIED:		NAME																							
<table border="1"> <tr><td>0 PLC</td><td>± -</td></tr> <tr><td>1 PLC</td><td>± 0.30</td></tr> <tr><td>2 PLC</td><td>± 0.20</td></tr> <tr><td>3 PLC</td><td>± 0.15</td></tr> <tr><td>4 PLC ANGLES</td><td>± 3°</td></tr> </table>		0 PLC	± -	1 PLC	± 0.30	2 PLC	± 0.20	3 PLC	± 0.15	4 PLC ANGLES	± 3°	<table border="1"> <tr><td>PRODUCT SPEC</td><td>108-57527</td></tr> <tr><td>APPLICATION SPEC</td><td>501-57604</td></tr> <tr><td>WEIGHT</td><td>6.7 GRAMS</td></tr> </table>		PRODUCT SPEC	108-57527	APPLICATION SPEC	501-57604	WEIGHT	6.7 GRAMS	<table border="1"> <tr><td>SIZE</td><td>A3</td></tr> <tr><td>CAGE CODE</td><td>00779</td></tr> <tr><td>DRAWING NO</td><td>C=1734577</td></tr> </table>		SIZE	A3	CAGE CODE	00779	DRAWING NO	C=1734577
0 PLC	± -																										
1 PLC	± 0.30																										
2 PLC	± 0.20																										
3 PLC	± 0.15																										
4 PLC ANGLES	± 3°																										
PRODUCT SPEC	108-57527																										
APPLICATION SPEC	501-57604																										
WEIGHT	6.7 GRAMS																										
SIZE	A3																										
CAGE CODE	00779																										
DRAWING NO	C=1734577																										
MATERIAL SEE NOTE		FINISH SEE NOTE		RESTRICTED TO -																							
CUSTOMER DRAWING				SCALE - SHEET 2 OF 3 REV C																							

4

3

2

1

THIS DRAWING IS UNPUBLISHED.

RELEASED FOR PUBLICATION

AUG ,2006.

© COPYRIGHT - BY TYCO ELECTRONICS CORPORATION.

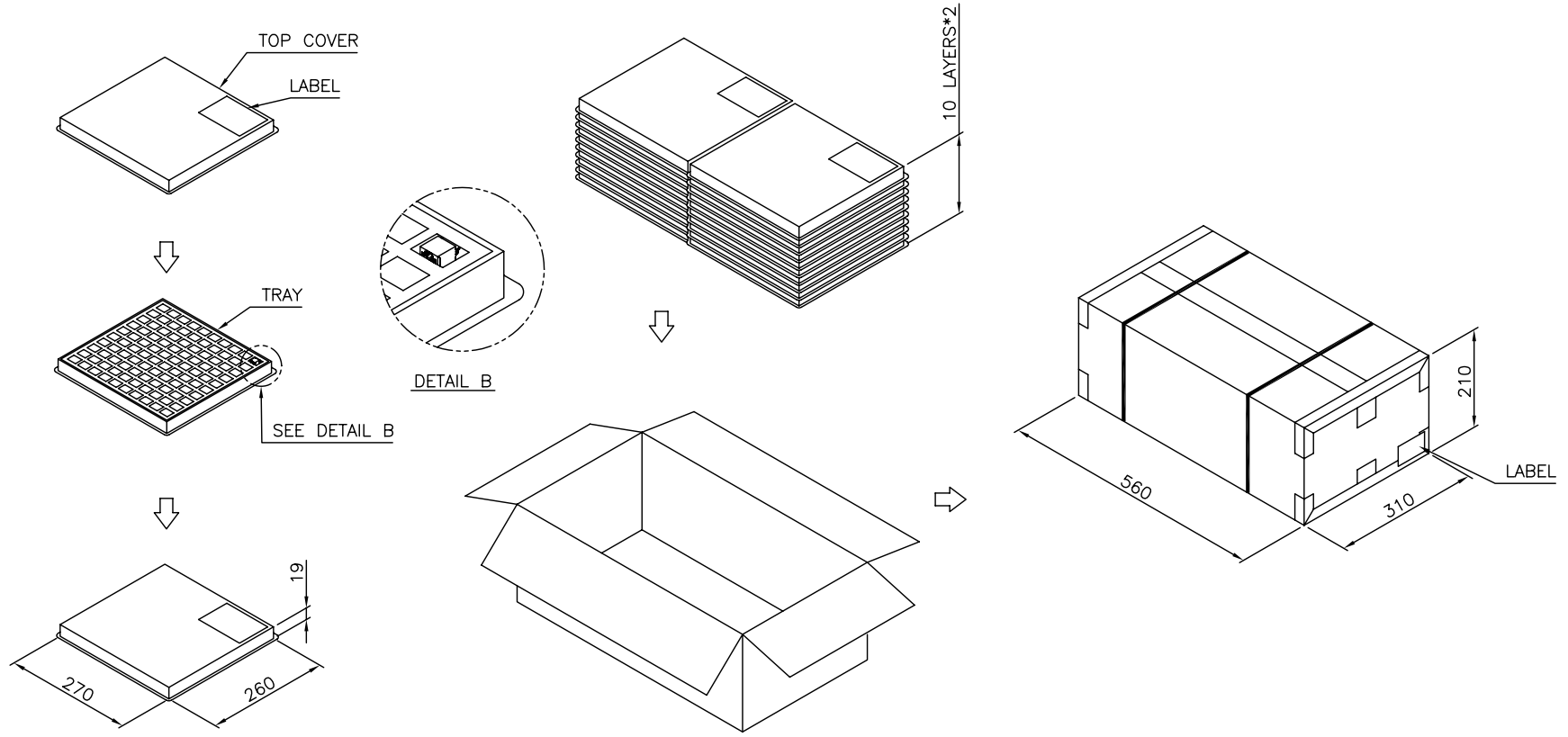
ALL RIGHTS RESERVED.

LOC DW

DIST

REVISIONS

P	LTR	DESCRIPTION	DATE	DWN	APVD
		SEE SHEET 1.			



15 Kg	13.3 Kg	100	20	2000 PCS
GROSS WEIGHT (Ref.)	NET WEIGHT (Ref.)	PCS/TRAY	TRAYS /BOX	QUANTITY

THIS DRAWING IS A CONTROLLED DOCUMENT.

DWN		Tyco Electronics Corporation Taipei, Taiwan	
CHK		NAME	
APVD		MODULAR JACK, RJ45, 8P8C, DIP TYPE.	
PRODUCT SPEC		SIZE	RESTRICTED TO
APPLICATION SPEC		CAGE CODE	
WEIGHT		DRAWING NO	
MATERIAL		A3 00779	
FINISH		G=1734577	
		CUSTOMER DRAWING	SCALE
		SHEET	REV