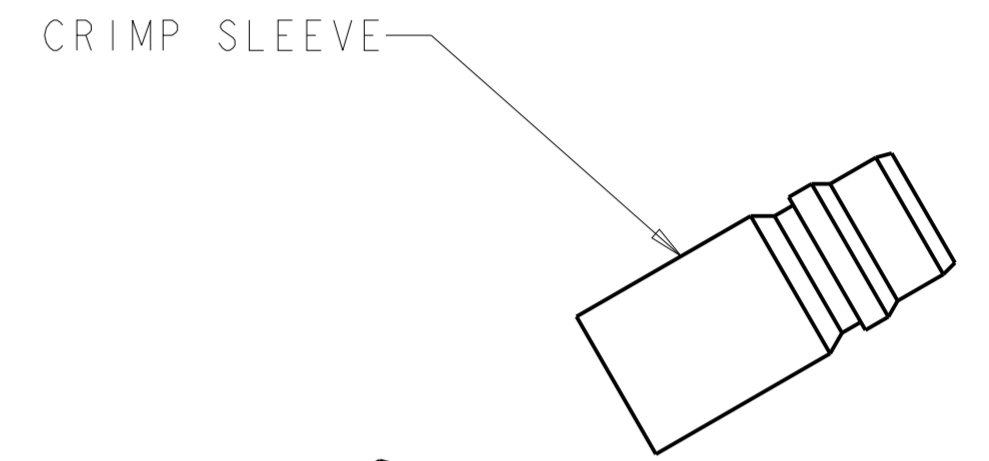
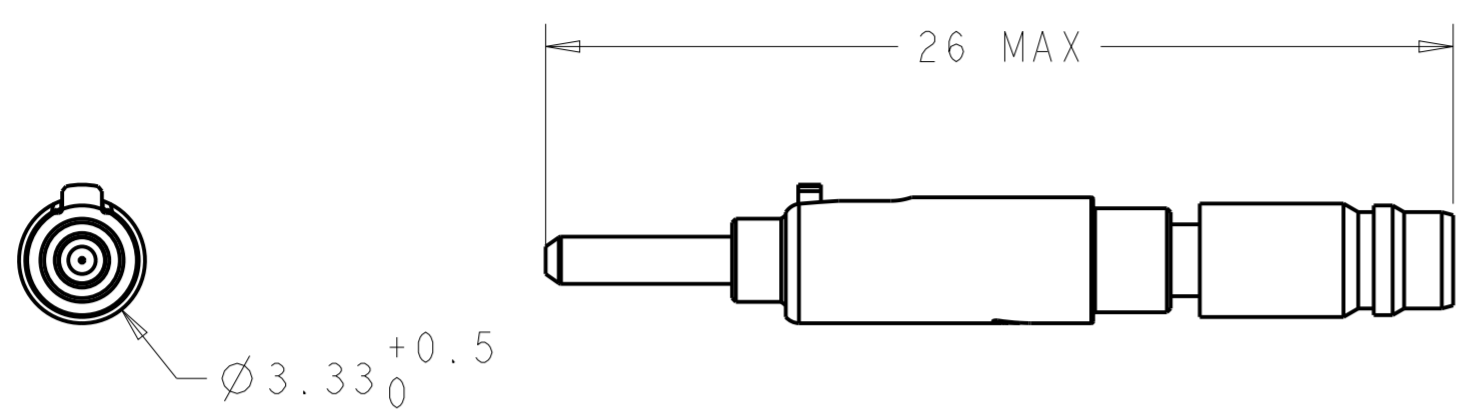
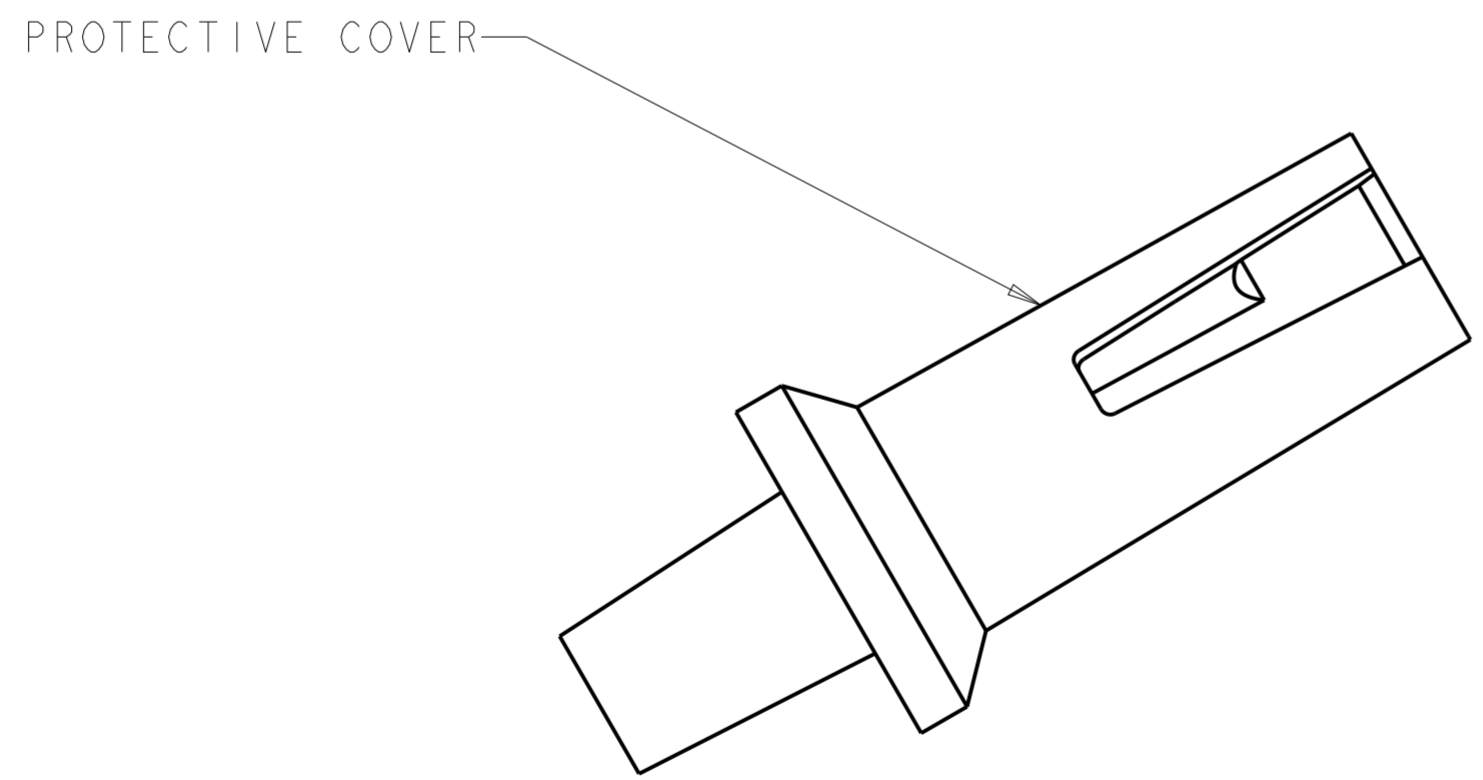
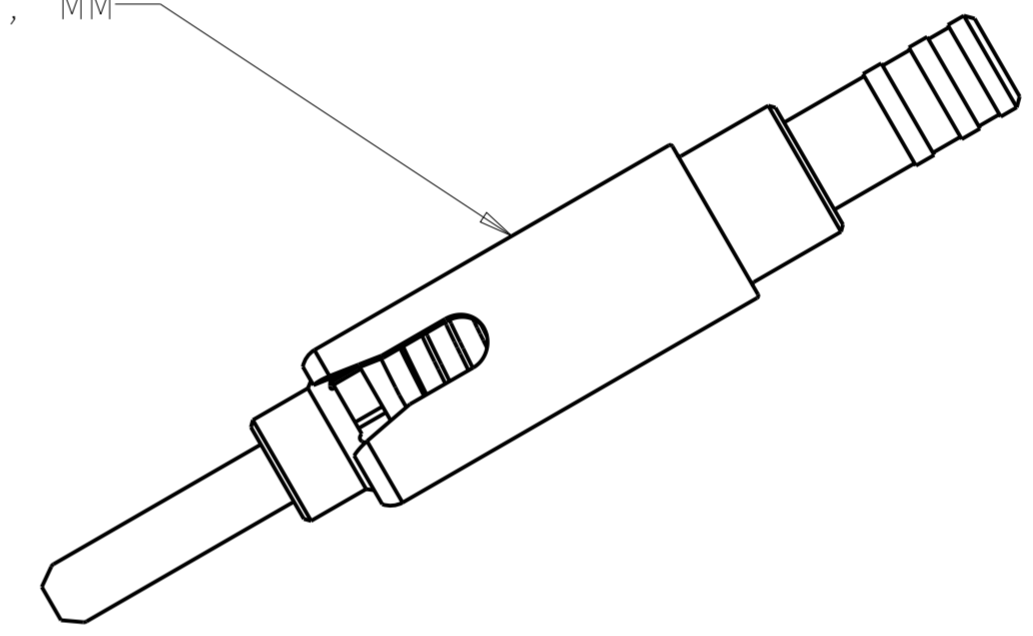


THIS DRAWING IS UNPUBLISHED. RELEASED FOR PUBLICATION 20
 © COPYRIGHT 20 BY - ALL RIGHTS RESERVED.

REVISIONS				
P	LTR	DESCRIPTION	DATE	APVD
C		ECR-14-015639	22OCT2014	KG DW



ARINC 801 MT TERMINUS, MM



⚠ MATERIAL:
 PROTECTIVE COVER: THERMOPLASTIC
 FERRULE: ZIRCONIA
 FERRULE BASE: NICKEL PLATED COPPER ALLOY
 INDEXED COVER: NICKEL PLATED COPPER ALLOY
 CRIMP SLEEVE: NICKEL PLATED COPPER ALLOY
 SPRING: STAINLESS STEEL

1828200-1
 PART NO.

THIS DRAWING IS A CONTROLLED DOCUMENT.		DWN E. HOPKINS 21FEB2005	TE Connectivity															
DIMENSIONS: mm		CHK D. ROHDE 21FEB2005																
TOLERANCES UNLESS OTHERWISE SPECIFIED:		APVD B. EDWARDS 21FEB2005	NAME ARINC 801 CONNECTOR KIT, MT, MM															
<table border="0"> <tr><td>0 PLC</td><td>±-</td></tr> <tr><td>1 PLC</td><td>±-</td></tr> <tr><td>2 PLC</td><td>±-</td></tr> <tr><td>3 PLC</td><td>±-</td></tr> <tr><td>4 PLC</td><td>±-</td></tr> <tr><td>ANGLES</td><td>±-</td></tr> <tr><td>FINISH</td><td>-</td></tr> </table>		0 PLC	±-	1 PLC	±-	2 PLC	±-	3 PLC	±-	4 PLC	±-	ANGLES	±-	FINISH	-	PRODUCT SPEC -	SIZE A200779	DRAWING NO C-1828200
0 PLC	±-																	
1 PLC	±-																	
2 PLC	±-																	
3 PLC	±-																	
4 PLC	±-																	
ANGLES	±-																	
FINISH	-																	
MATERIAL ⚠		APPLICATION SPEC -	RESTRICTED TO -	SCALE 5:1														
		WEIGHT -	SHEET 1	REV C														
		Customer Drawing																