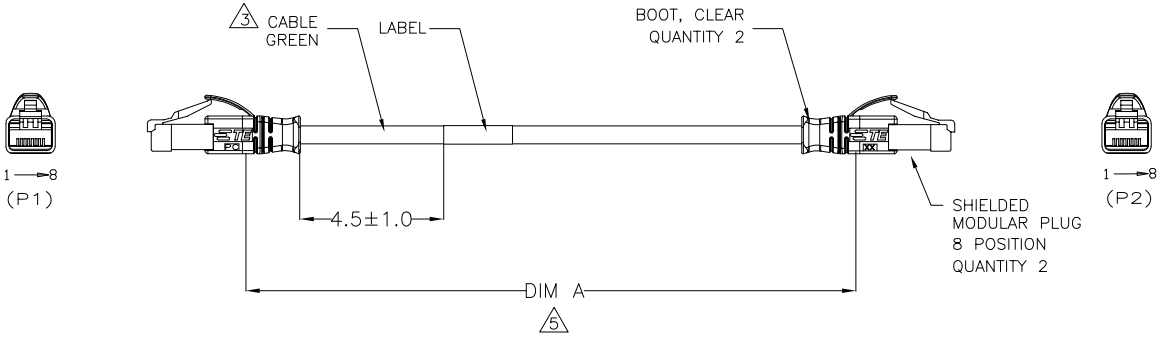
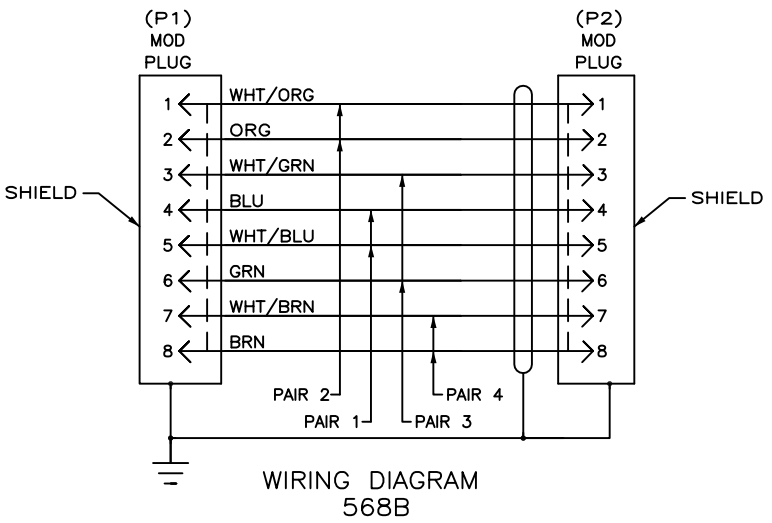


| LOC | | DST | | REVISIONS | | | |
|-----|-----|-------------|-----------|-----------|-----|----|--|
| P | LTR | DESCRIPTION | DATE | DRN | APR | WF | |
| G | | 40024028MCO | 20NOV2015 | RL | | WF | |



- ONE CABLE PACKAGED IN A POLY BAG.
- DIMENSIONS ARE MAXIMUM UNLESS OTHERWISE SPECIFIED.
- CABLE: SHIELDED 26 AWG, 4 TWISTED PAIRS, 7/34 STRANDED CONDUCTORS, 100 OHMS CAT6A.
- DESIGNATIONS IN PARENTHESES () ARE FOR REFERENCE ONLY.



WIRING DIAGRAM
568B

| METERS, REF | FEET, REF | DIM A | PART NO | METERS, REF | FEET, REF | DIM A | PART NO |
|-------------|-----------|-------------------|-------------|-------------|-----------|-----------------|-------------|
| 30.48 | 100 | 30632.4 (1206.00) | 9-1933883-9 | 8.53 | 28 | 8686.8 (342.00) | 2-1933883-8 |
| 0.15 | 0.5 | 203.2 (8.00) | 9-1933883-8 | 7.92 | 26 | 8077.2 (318.00) | 2-1933883-6 |
| 28.96 | 95 | 29108.4 (1146.00) | 9-1933883-5 | 7.32 | 24 | 7416.8 (292.00) | 2-1933883-4 |
| 27.43 | 90 | 27584.4 (1086.00) | 9-1933883-0 | 6.71 | 22 | 6807.2 (268.00) | 2-1933883-2 |
| 25.91 | 85 | 26060.4 (1026.00) | 8-1933883-5 | 6.1 | 20 | 6197.6 (244.00) | 2-1933883-0 |
| 24.38 | 80 | 24536.4 (966.00) | 8-1933883-0 | 5.49 | 18 | 5588.0 (220.00) | 1-1933883-8 |
| 22.86 | 75 | 23012.4 (906.00) | 7-1933883-5 | 4.88 | 16 | 4978.4 (196.00) | 1-1933883-6 |
| 21.34 | 70 | 21488.4 (846.00) | 7-1933883-0 | 4.57 | 15 | 4673.6 (184.00) | 1-1933883-5 |
| 19.81 | 65 | 19964.4 (786.00) | 6-1933883-5 | 4.27 | 14 | 4368.8 (172.00) | 1-1933883-4 |
| 18.29 | 60 | 18440.4 (726.00) | 6-1933883-0 | 3.66 | 12 | 3759.2 (148.00) | 1-1933883-2 |
| 16.76 | 55 | 16916.4 (666.00) | 5-1933883-5 | 3.05 | 10 | 3149.6 (124.00) | 1-1933883-0 |
| 15.24 | 50 | 15392.4 (606.00) | 5-1933883-0 | 2.74 | 9 | 2794.0 (110.00) | 1933883-9 |
| 13.72 | 45 | 13868.4 (546.00) | 4-1933883-5 | 2.44 | 8 | 2489.2 (98.00) | 1933883-8 |
| 12.20 | 40 | 12344.4 (486.00) | 4-1933883-0 | 2.14 | 7 | 2184.4 (86.00) | 1933883-7 |
| 11.58 | 38 | 11734.8 (462.00) | 3-1933883-8 | 1.83 | 6 | 1879.6 (74.00) | 1933883-6 |
| 10.97 | 36 | 11125.2 (438.00) | 3-1933883-6 | 1.53 | 5 | 1574.8 (62.00) | 1933883-5 |
| 10.36 | 34 | 10515.6 (414.00) | 3-1933883-4 | 1.22 | 4 | 1270.0 (50.00) | 1933883-4 |
| 9.75 | 32 | 9906.0 (390.00) | 3-1933883-2 | 0.92 | 3 | 965.2 (38.00) | 1933883-3 |
| 9.14 | 30 | 9296.4 (366.00) | 3-1933883-0 | 0.61 | 2 | 660.4 (26.00) | 1933883-2 |
| | | | | 0.30 | 1 | 355.6 (14.00) | 1933883-1 |

THIS DRAWING IS A CONTROLLED DOCUMENT.

| | |
|-----------------------------|---|
| DRN RLI 20NOV2015 | TE Connectivity |
| CHK F.ZHANG 20NOV2015 | |
| APPD W.FAN 20NOV2015 | |
| PRODUCT SPEC | CABLE ASSY, MOD PLUG, 8 POSN, SHIELDED, GREEN, CAT 6A |
| APPLICATION SPEC | |
| SIZE A2 | CAGE CODE 00779 |
| WEIGHT | DRAWING NO ©=1933883 |
| CUSTOMER DRAWING | RESTRICTED TO |
| SCALE NTS | SHEET 1 of 1 |
| | REV G |

Mouser Electronics

Authorized Distributor

Click to View Pricing, Inventory, Delivery & Lifecycle Information:

[TE Connectivity Divested:](#)

[1933883-7](#)