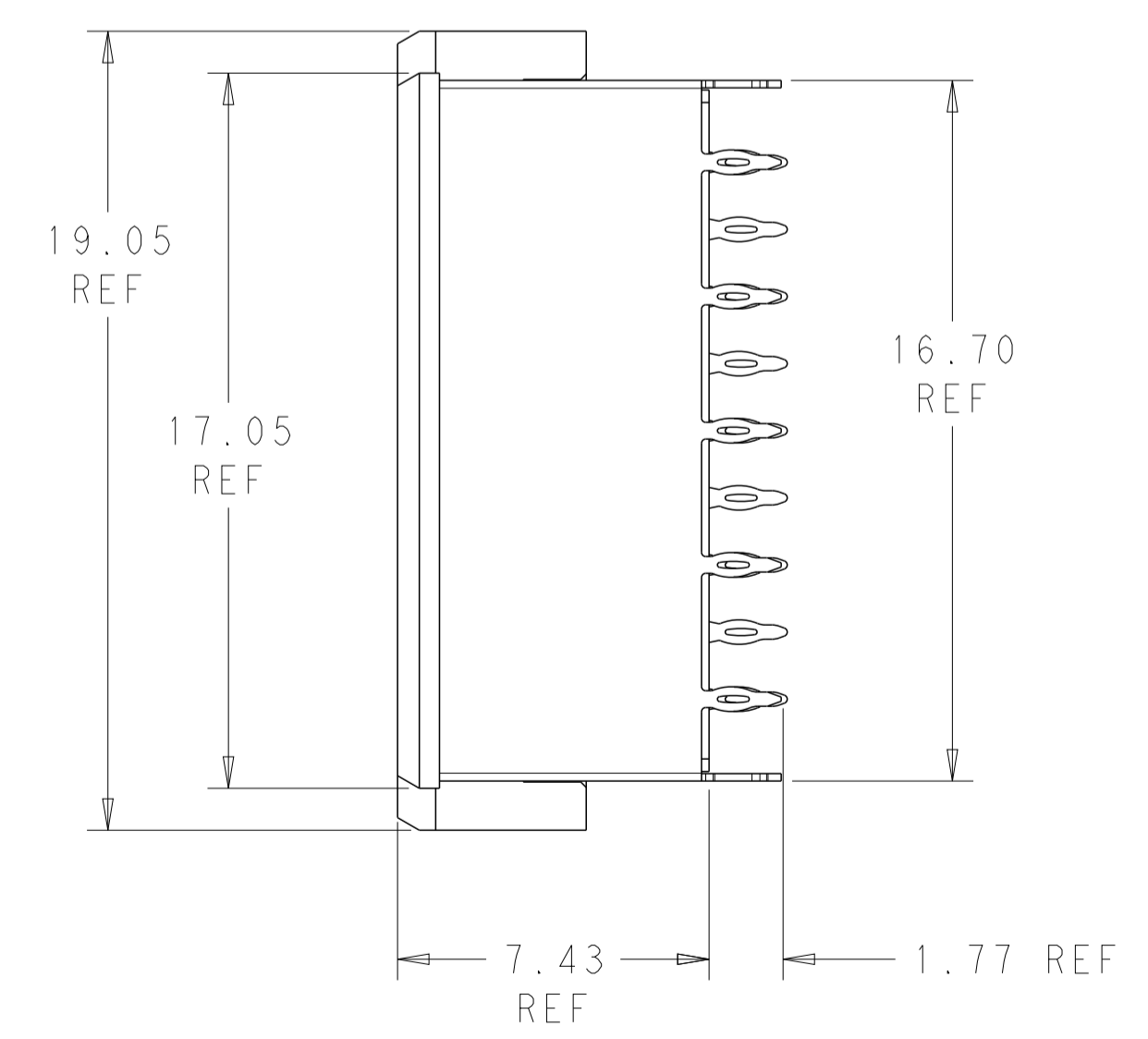
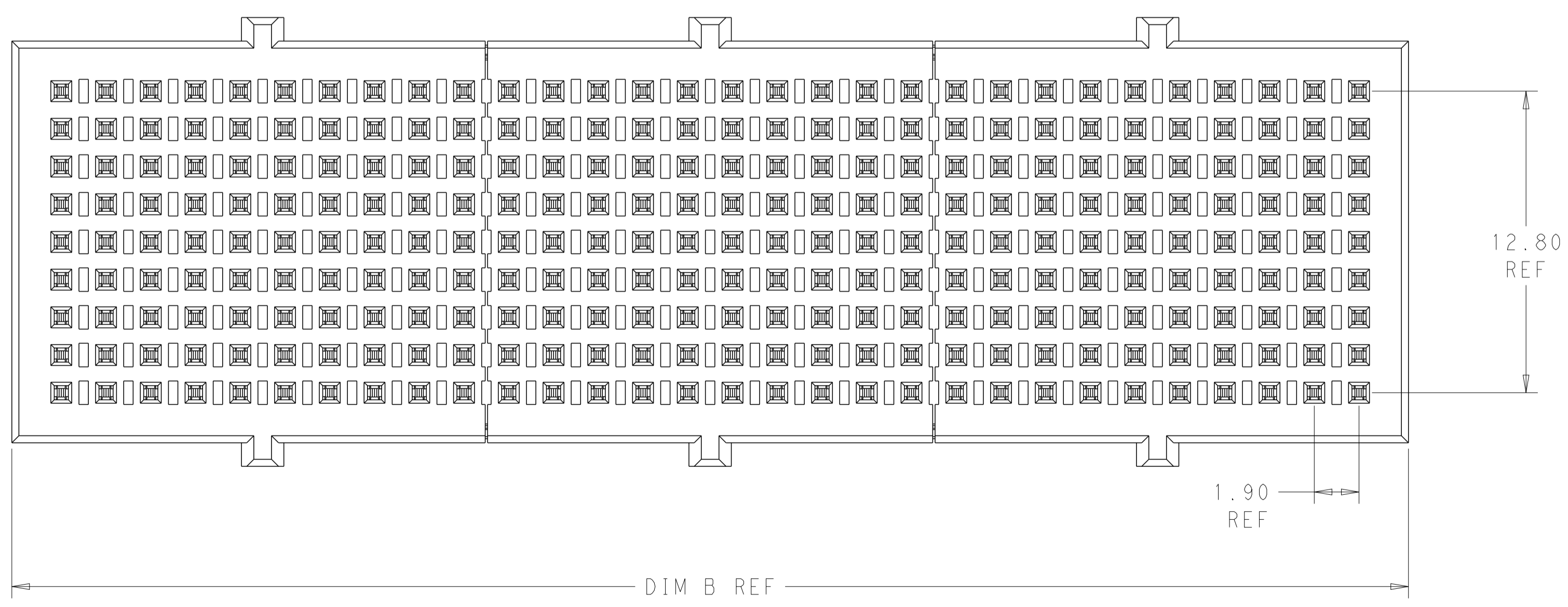
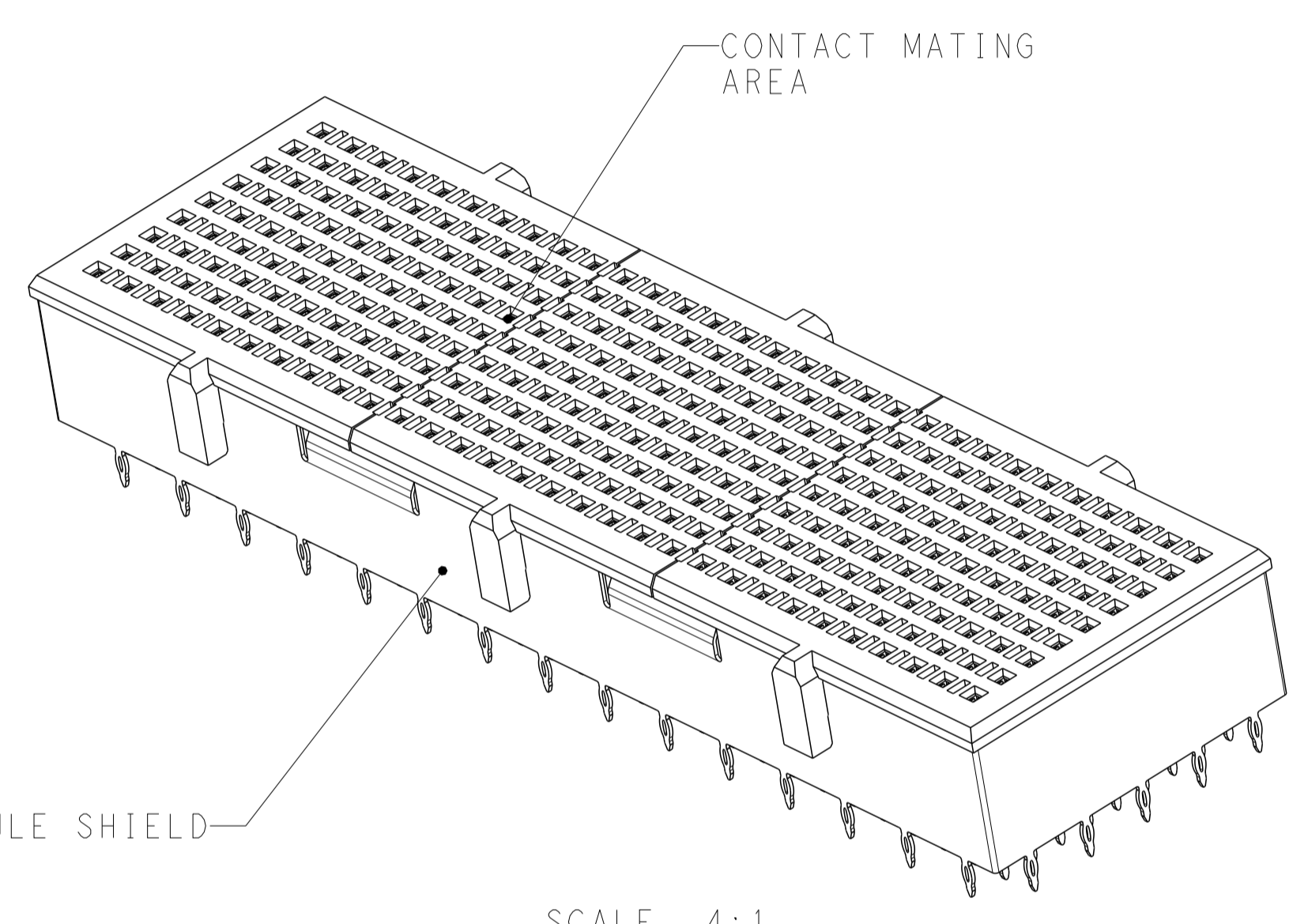
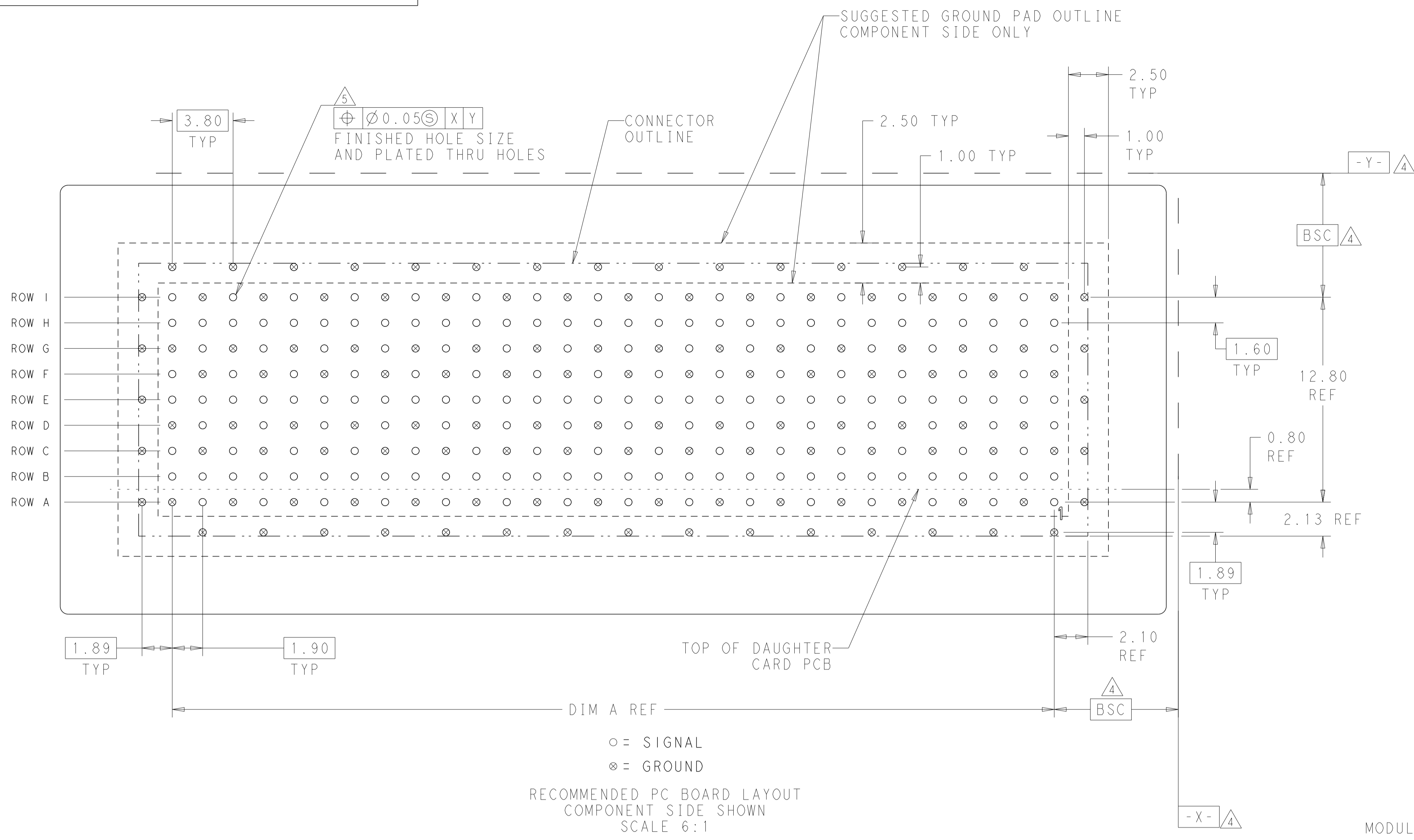


LOC		DIST		REVISIONS				
P	LTN	DESCRIPTION	DATE	OWN	APVD			
2		ADDED COLUMN MARKER	14FEB2012	AT	AT			
3		ADDED GROUND PAD, PLATING NOTES, WEIGHTS	24JULY2012	AT	AT			
4		REVISED FINISH NOTE	4SEP2012	DCB	AT			
5		CORRECTED CONNECTOR OUTLINE	30MAY2014	AT	AT			



THIS PRINT IS  
**PRELIMINARY**  
 UNQUALIFIED PRODUCT  
 CONTACT PRODUCT ENGINEERING  
 BEFORE USING THIS PRINT

THIS PRODUCT HAS NOT COMPLETED VALIDATION TESTING

THIS DRAWING IS A CONTROLLED DOCUMENT.		OWN: D. BELACK 23JUL2010	STE TE Connectivity	
DIMENSIONS: mm		CHK: A. TSANG	NAME: Fortis Zd, 3-PAIR, VERTICAL SHIELDED MODULE ASSEMBLY	
TOLERANCES UNLESS OTHERWISE SPECIFIED:		APVD: M. McALONIS	PRODUCT SPEC: 108-2409	
0 PLC ±0.13		APPLICATION SPEC: 114-13267		
2 PLC ±0.05		SIZE: A100779C=2102248		
3 PLC ±0.05		CAGE CODE: 114-13267		
4 PLC ±0.05		WEIGHT: -		
ANGLES ±2°		CUSTOMER DRAWING		
FINISH		SCALE: 6:1 SHEET 1 OF 2 REV 5		

THIS DRAWING IS UNPUBLISHED. RELEASED FOR PUBLICATION 20  
 © COPYRIGHT 20 BY - ALL RIGHTS RESERVED.

LOC		DIST		REVISIONS			
P	LTN	DESCRIPTION	DATE	DMN	APVD		
-	-	SEE SHEET 1	-	-	-	-	-

1 MATERIAL:  
 CONTACT - BERYLLIUM COPPER ALLOY  
 HOUSING - BLACK LCP  
 SHIELD - NICKEL SILVER PER UNS C77000


2 FINISH:  
 MATING AREA: 1.27µm MIN GOLD OVER  
 3.81µm MIN NICKEL  
 COMPLIANT PIN AREA: 0.5µm MIN 93/7 SnPb OVER  
 1.27µm MIN NICKEL

3 FINISH:  
 MATING AREA: 1.27µm MIN GOLD OVER  
 3.81µm MIN NICKEL  
 COMPLIANT PIN AREA: 0.5µm MIN Sn OVER  
 1.27µm MIN NICKEL

4 DATUMS AND BASIC DIMENSIONS ESTABLISHED BY CUSTOMER.

5 REFERENCE APPLICATION SPEC 114-13267 FOR RECOMMENDED PLATING THRU HOLE DIAMETER AND PLATING THICKNESS.

23.33	116.30	112.10	3	60 COLUMN	180	2-2102248-6
19.58	97.30	93.10	3	50 COLUMN	150	2-2102248-5
15.82	78.30	74.10	3	40 COLUMN	120	2-2102248-4
12.07	59.30	55.10	3	30 COLUMN	90	2-2102248-3
8.32	40.30	36.10	3	20 COLUMN	60	2-2102248-2
4.56	21.30	17.10	3	10 COLUMN	30	2-2102248-1
23.33	116.30	112.10	2	60 COLUMN	180	2102248-6
19.58	97.30	93.10	2	50 COLUMN	150	2102248-5
15.82	78.30	74.10	2	40 COLUMN	120	2102248-4
12.07	59.30	55.10	2	30 COLUMN	90	2102248-3
8.32	40.30	36.10	2	20 COLUMN	60	2102248-2
4.56	21.30	17.10	2	10 COLUMN	30	2102248-1
WEIGHT(g)	DIM "B"	DIM "A"	COMPLIANT PIN PLATING	DESCRIPTION	DIFF PAIRS	PART NUMBER

THIS DRAWING IS A CONTROLLED DOCUMENT.		DMN D. BELACK 23JUL2010	 TE Connectivity
DIMENSIONS: mm		CHK A. TSANG	
TOLERANCES UNLESS OTHERWISE SPECIFIED:		APVD M. McALONIS	NAME Fortis Zd, 3-PAIR, VERTICAL SHIELDED MODULE ASSEMBLY
0 PLC ±0.13	1 PLC ±0.13	PRODUCT SPEC 108-2409	SIZE CAGE CODE DRAWING NO RESTRICTED TO
2 PLC ±0.05	3 PLC ±0.05	APPLICATION SPEC 114-13267	A100779C=2102248
4 PLC ±0.05	ANGLES ±2°	WEIGHT	SCALE 6:1 SHEET 2 OF 2 REV 5
MATERIAL	FINISH	CUSTOMER DRAWING	