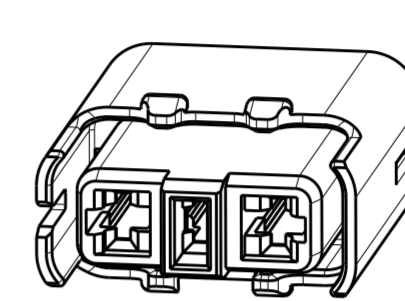
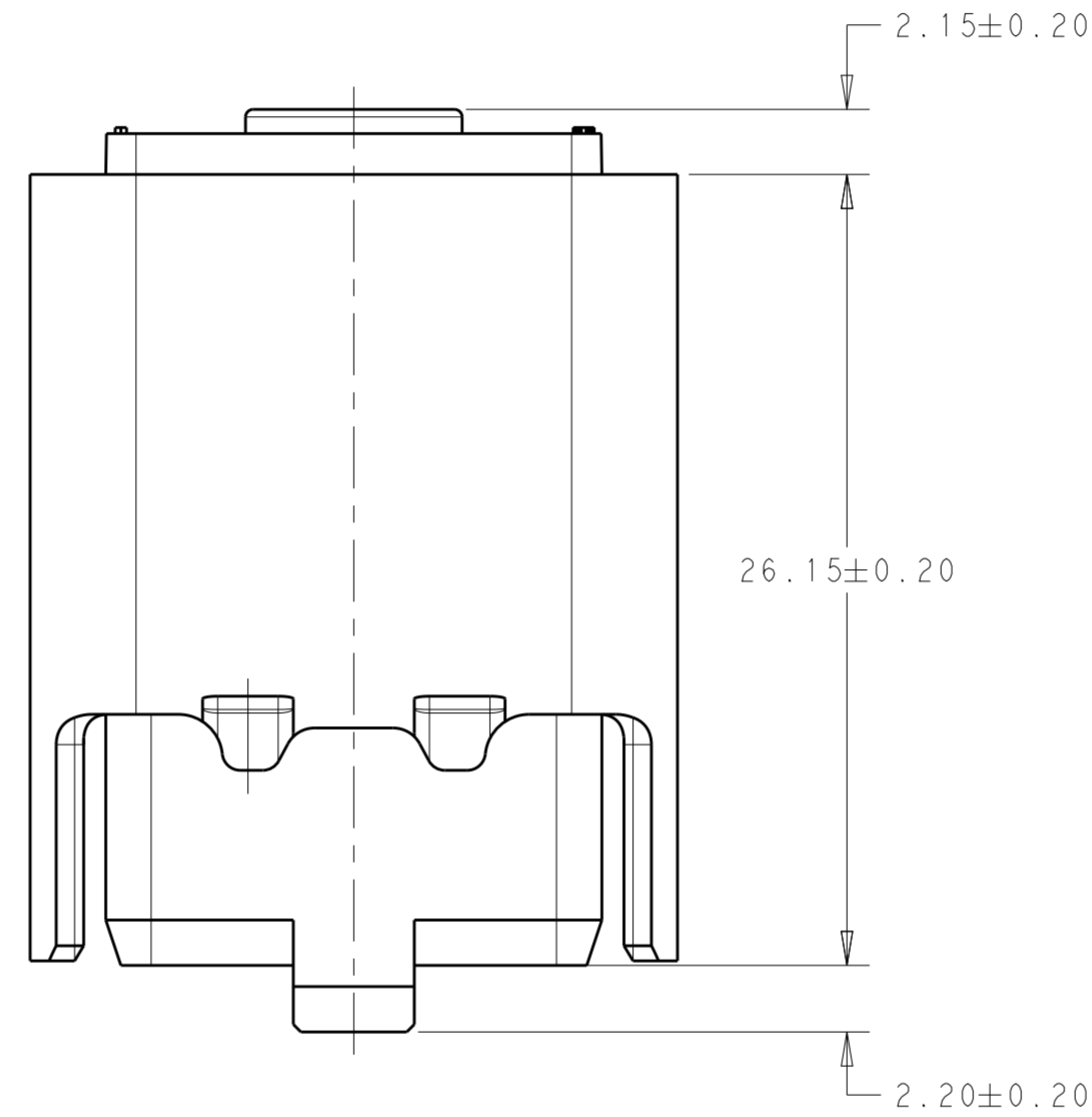
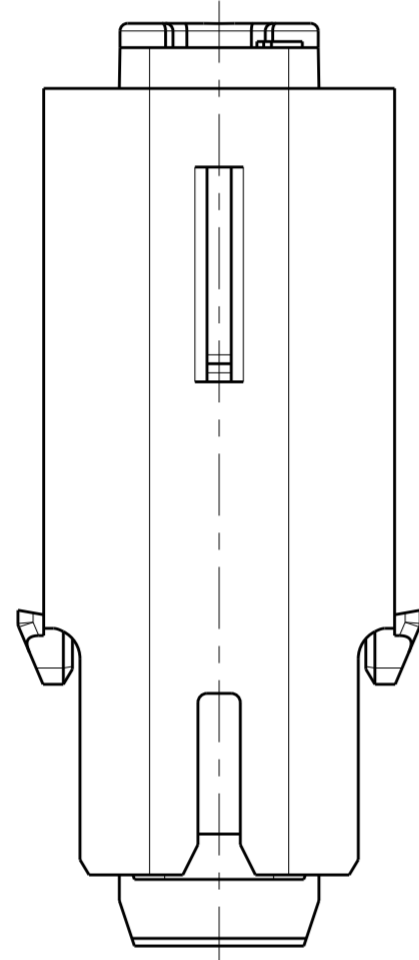
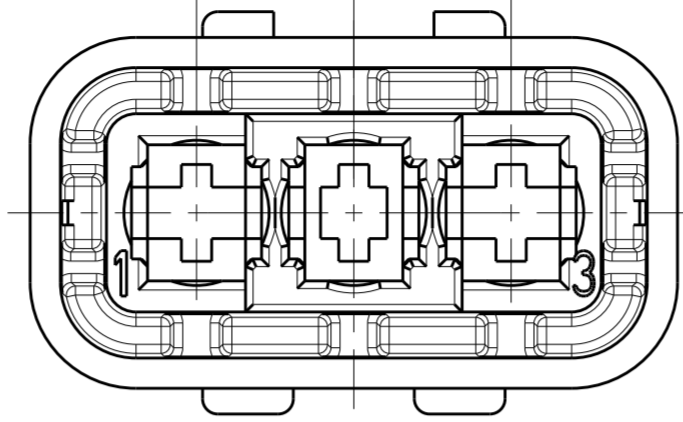


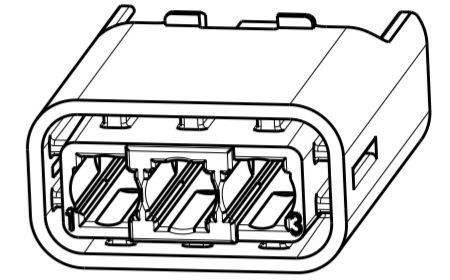
THIS DRAWING IS UNPUBLISHED. RELEASED FOR PUBLICATION 20
 © COPYRIGHT 20 BY TYCO ELECTRONICS CORPORATION ALL RIGHTS RESERVED.

LOC	DIST	REVISIONS			
P	LTR	DESCRIPTION	DATE	DWN	APVD
		A	ECO-13-012771	08AUG2013	DR DR
		B	ECO-13-016420	21OCT2013	DR DR

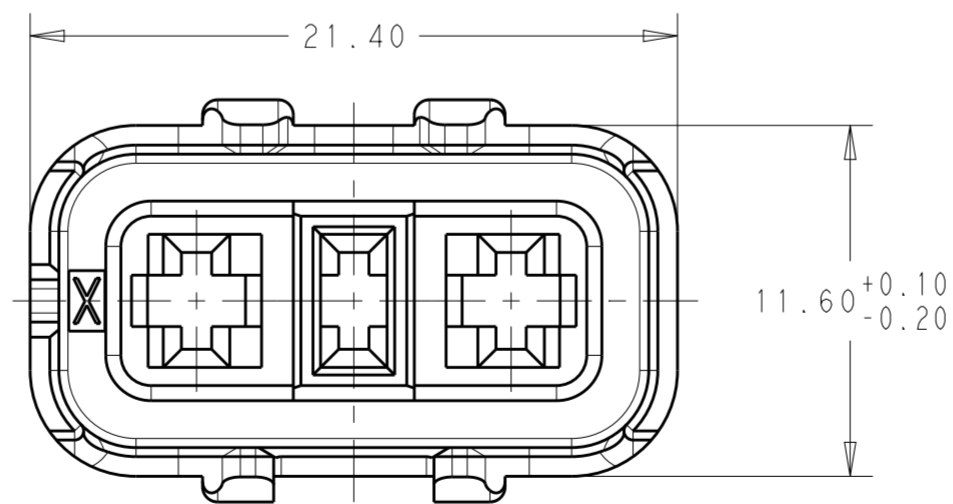
(5.20) (5.20)



SCALE 2:1



SCALE 2:1



1 MATERIAL:
 TYPE: PA66 33%GF
 COLOR: NATURAL

2103306-1
 PART NO

THIS DRAWING IS A CONTROLLED DOCUMENT.		DWN D. RHEIN 24 JAN 2012	TE Connectivity	
DIMENSIONS: mm		CHK D. RHEIN 24 JAN 2012		
TOLERANCES UNLESS OTHERWISE SPECIFIED:		APVD A. GUANCO 24 JAN 2012	NAME INNER HOUSING, PLUG, HVA280-3PM XE	
0 PLC ± 1 PLC ±0.2 2 PLC ±0.10 3 PLC ±0.050 4 PLC ± ANGLES ±1° FINISH		PRODUCT SPEC 108-32020	SIZE A200779	CAGE CODE C-2103306
MATERIAL 1		APPLICATION SPEC 114-32056	DRAWING NO C-2103306	RESTRICTED TO -
		WEIGHT 3.99g	SCALE 4:1	SHEET 1 OF 1
		Customer Drawing	REV B	