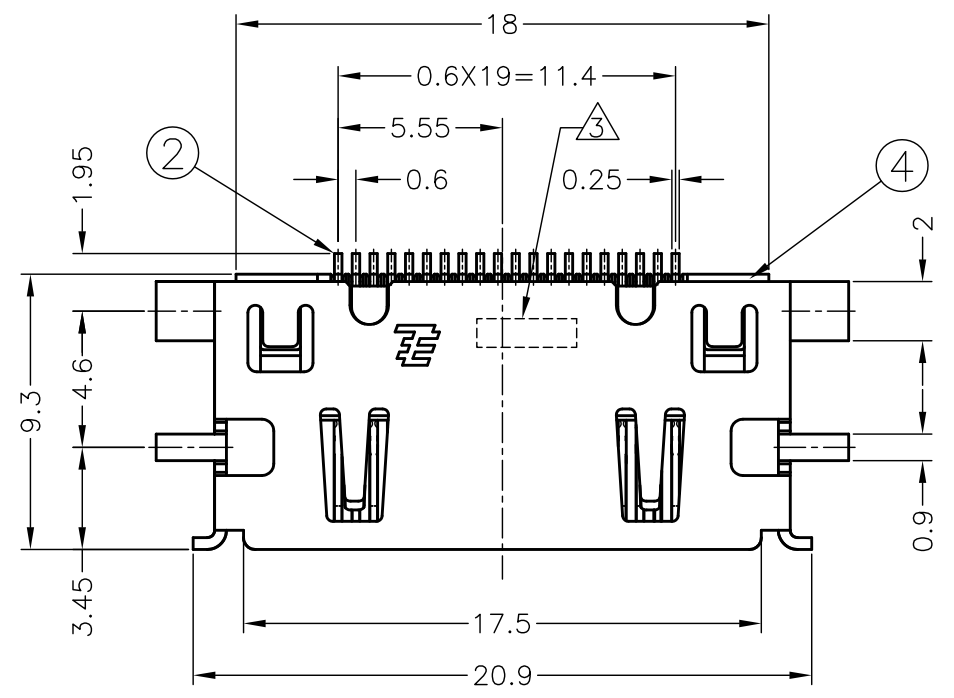


THIS DRAWING IS UNPUBLISHED. RELEASED FOR PUBLICATION
 © COPYRIGHT - By - ALL RIGHTS RESERVED.

LOC	DIST	REVISIONS				
P	LTR	DESCRIPTION	DATE	DWN	APVD	
DW	/	B2	REVISED (ECR-13-006596)	08AUG2013	B.W	H.K

2129273-1,2: AS SHOWN



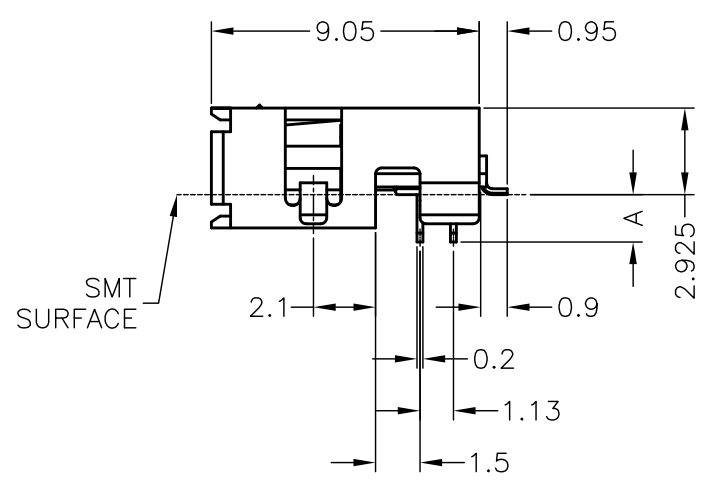
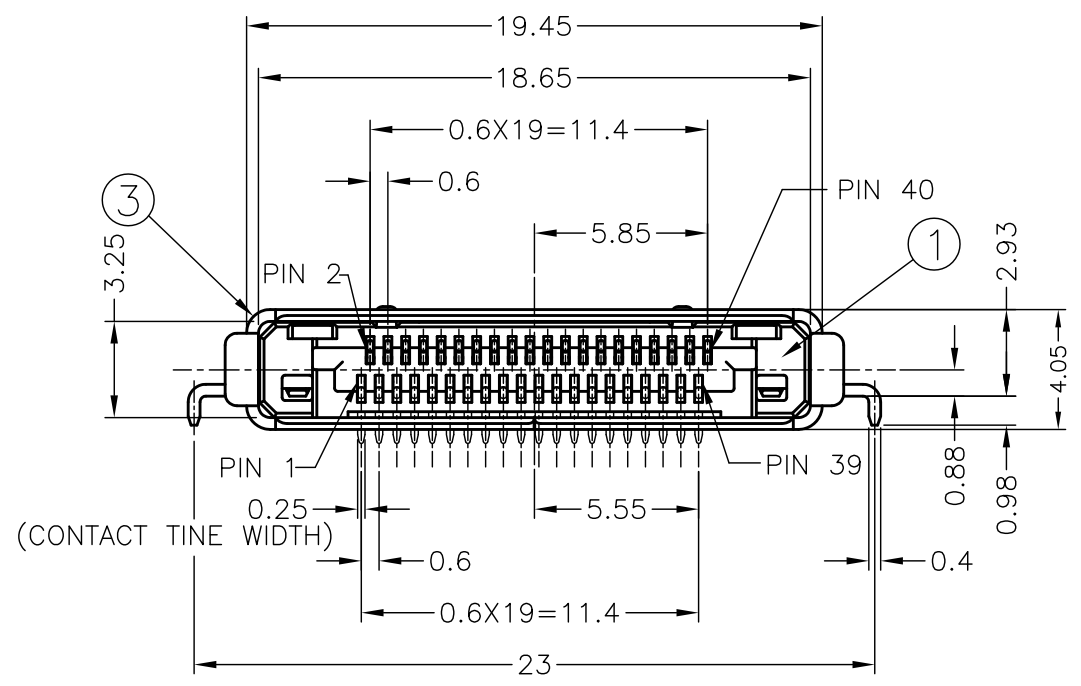
- ① MATERIAL:
- ① HOUSING: THERMO-PLASTIC(UL94V-0, BLACK).
 - ② CONTACT: COPPER ALLOY.
 - ③ SHELL: STAINLESS STEEL.
 - ④ TINE PLATE: THERMO-PLASTIC(UL94V-0, BLACK).

- ② FINISH:
- CONTACT:
- Ni UNDER PLATING OVERALL.
 - Au PLATING ON CONTACT AREA.
 - Tin PLATING ON TINE AREA.

SHELL:

Ni UNDER PLATING OVERALL.

- ③ DATE CODE.
- YY MM D * *
- DAY SHIFT OR NIGHT SHIFT
 - ASSY LINE NO. , A,B,C,....
 - DAY
 - WEEK
 - YEAR



OBSOLETE	1 MM	2129273-2
OBSOLETE	1.6 MM	2129273-1
	DIM A	PN

THIS DRAWING IS A CONTROLLED DOCUMENT.		DWN S. YANG 23FEB2011	STE TE Connectivity																				
		CHK M. CHAO 23FEB2011																					
		APVD H. KODAMA 25FEB2011	NAME																				
DIMENSIONS: mm		PRODUCT SPEC		RECEPTACLE ASSY																			
TOLERANCES UNLESS OTHERWISE SPECIFIED:		APPLICATION SPEC		0.6mm PITCH CHAMP DOCKING CONNECTOR, 40 POS, OFFSET 0.9mm																			
<table border="1"> <tr><td>8 PLC</td><td>±</td><td>±0.25</td></tr> <tr><td>1 PLC</td><td>±</td><td>±0.25</td></tr> <tr><td>2 PLC</td><td>±</td><td>±3°</td></tr> <tr><td>3 PLC</td><td>±</td><td>±3°</td></tr> <tr><td>4 PLC</td><td>±</td><td>±</td></tr> <tr><td>ANGLES</td><td>±</td><td>±</td></tr> </table>		8 PLC	±	±0.25	1 PLC	±	±0.25	2 PLC	±	±3°	3 PLC	±	±3°	4 PLC	±	±	ANGLES	±	±	108-99033		RESTRICTED TO	
8 PLC	±	±0.25																					
1 PLC	±	±0.25																					
2 PLC	±	±3°																					
3 PLC	±	±3°																					
4 PLC	±	±																					
ANGLES	±	±																					
MATERIAL ①		WEIGHT 1.27g		SIZE A3																			
FINISH ②		CAGE CODE 00779		DRAWING NO C-2129273																			
		CUSTOMER DRAWING		SCALE 4:1 SHEET 1 OF 3 REV B2																			

4

3

2

1

THIS DRAWING IS UNPUBLISHED.

RELEASED FOR PUBLICATION

LOC

DIST

REVISIONS

© COPYRIGHT - By -

ALL RIGHTS RESERVED.

DW

P

LTR

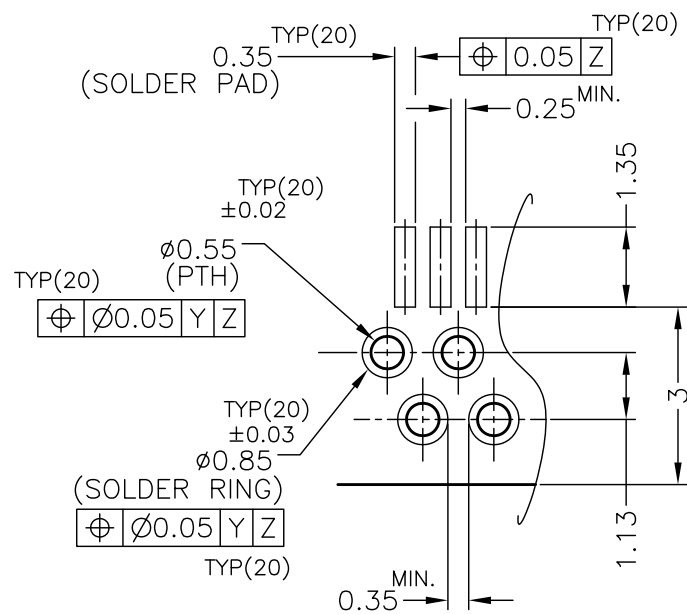
DESCRIPTION

DATE

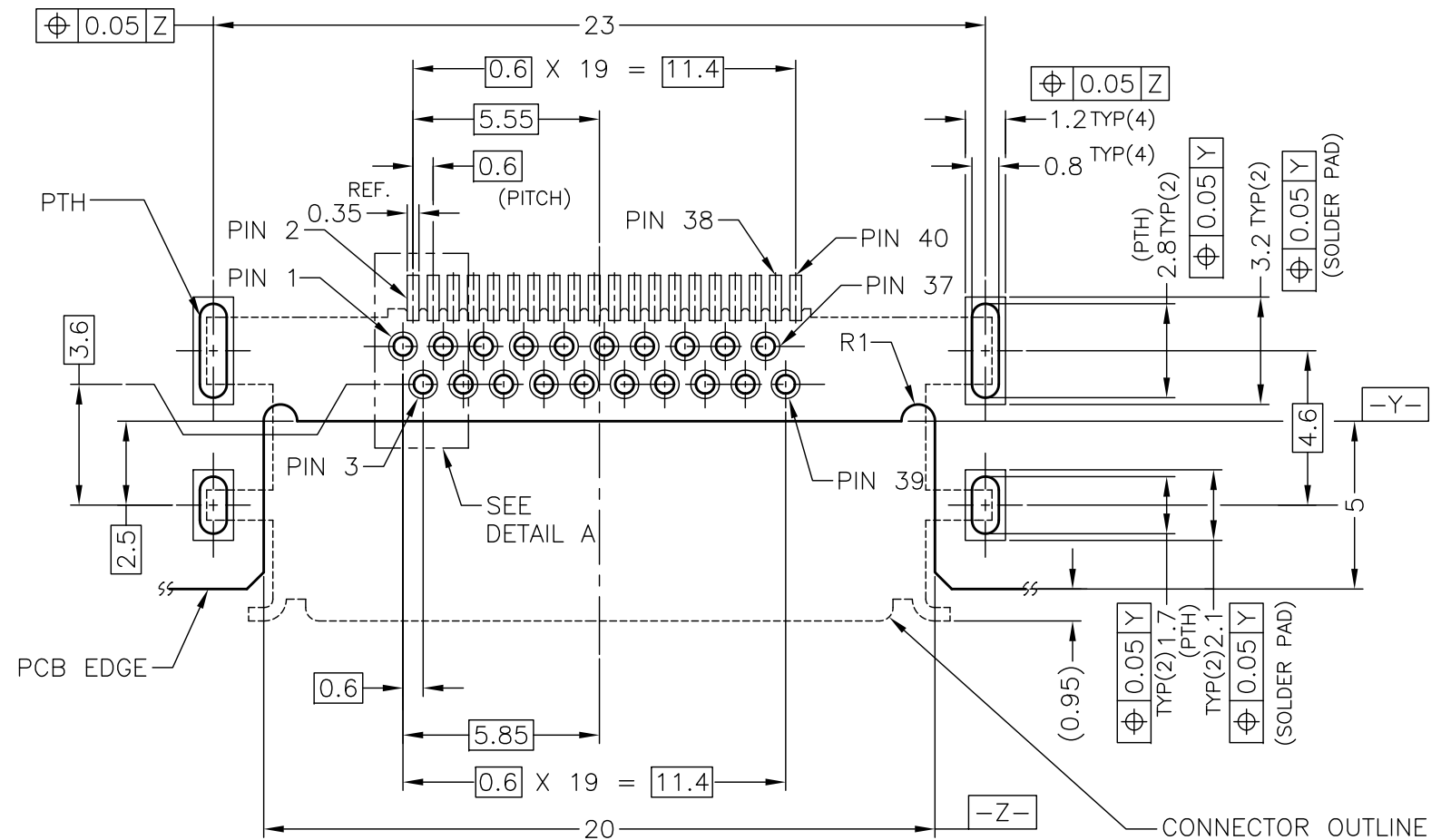
DWN

APVD

SEE SHEET 1



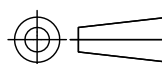
DETAIL A
SCALE 8:1



PCB LAYOUT (REFERENCE)
(VIEWED FROM CONNECTOR MOUNT SIDE)
TOLERANCE: NON-CUMULATIVE, ±0.05mm
UNLESS OTHERWISE SPECIFIED

THIS DRAWING IS A CONTROLLED DOCUMENT.

DIMENSIONS:
mm



TOLERANCES UNLESS OTHERWISE SPECIFIED:

8 PLC	±	±0.25
1 PLC	±	±0.25
2 PLC	±	±0.25
3 PLC	±	±0.25
4 PLC	±	±0.25
ANGLES	±	±

MATERIAL

FINISH

DWN

CHK

APVD

PRODUCT SPEC

APPLICATION SPEC

WEIGHT

CUSTOMER DRAWING



NAME
RECEPTACLE ASSY
0.6mm PITCH CHAMP DOCKING CONNECTOR,
40 POS, OFFSET 0.9mm

SIZE CAGE CODE DRAWING NO RESTRICTED TO

A3 00779 C-2129273

SCALE 5:1 SHEET 2 OF 3 REV B2

