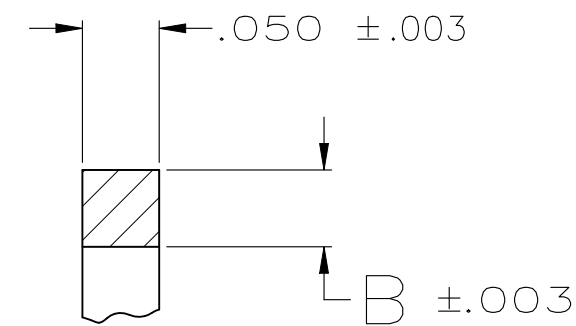
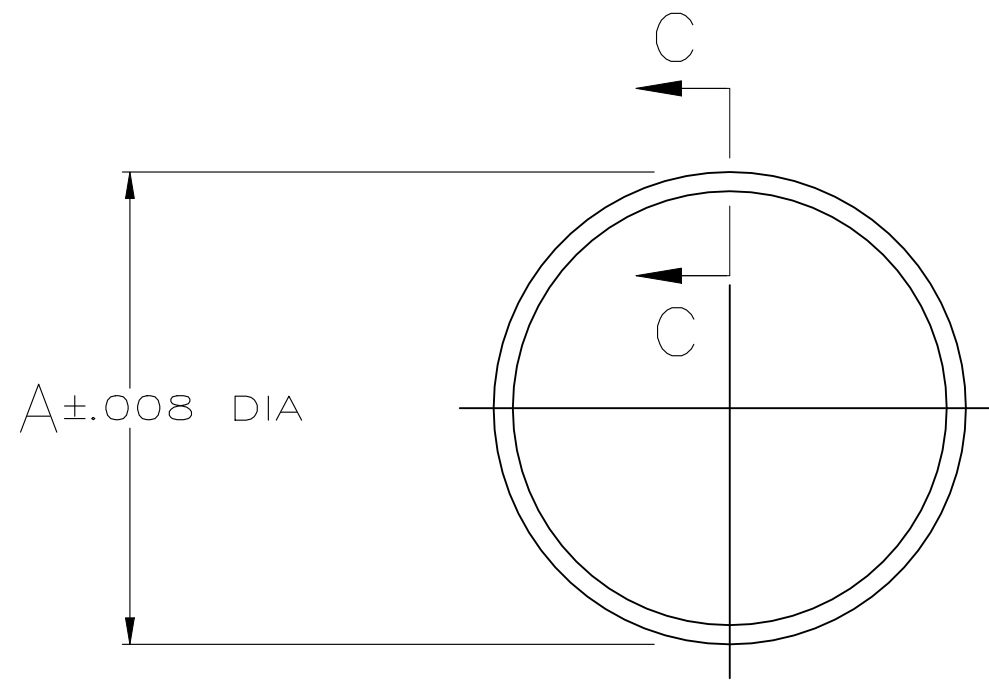


THIS DRAWING IS UNPUBLISHED. RELEASED FOR PUBLICATION
 © COPYRIGHT - By - ALL RIGHTS RESERVED.

REVISIONS					
P	LTR	DESCRIPTION	DATE	DWN	APVD
	C1	ECR-24-216670	02AUG2024	JS	JS
	B	REVISED PER ECO-19-006047	17APR2019	RS	MZ
	C	REVISED PER ECO-19-008255	30MAY2019	RS	MZ


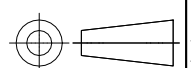


SECTION C-C
SCALE 8:1

NOTES

- PARTS ARE EU DIRECTIVE 2015/863 (ROHS 2019) COMPLIANT
- MATERIAL: NITRILE BUTADIENE RUBBER, BLACK COLOR.

.625	.041	13	2267473-4
1.200	.041	23	2267473-3
.845	.040	17	2267473-2
.498	.037	11	2267473-1
A	B	SHELL SIZE	PART NUMBER

THIS DRAWING IS A CONTROLLED DOCUMENT.		DWN RAVI.S 17JAN2019	 TE Connectivity		
DIMENSIONS: INCHES		CHK MARK ZITTO 17JAN2019			
		APVD MARK ZITTO 17JAN2019	NAME PERIPHERAL SEAL, CPC		
TOLERANCES UNLESS OTHERWISE SPECIFIED:		PRODUCT SPEC	-		
0 PLC ± -		APPLICATION SPEC	-		
1 PLC ± -		WEIGHT	-		
2 PLC ± -		SIZE	A3	CAGE CODE	00779
3 PLC ± .005		DRAWING NO	C-2267473		RESTRICTED TO
4 PLC ± -		-			
ANGLES ± -		-			
FINISH		-			
MATERIAL ELASTOMER, GRAY		CUSTOMER DRAWING			
		SCALE	2:1	SHEET	1 OF 1
		REV	C1		