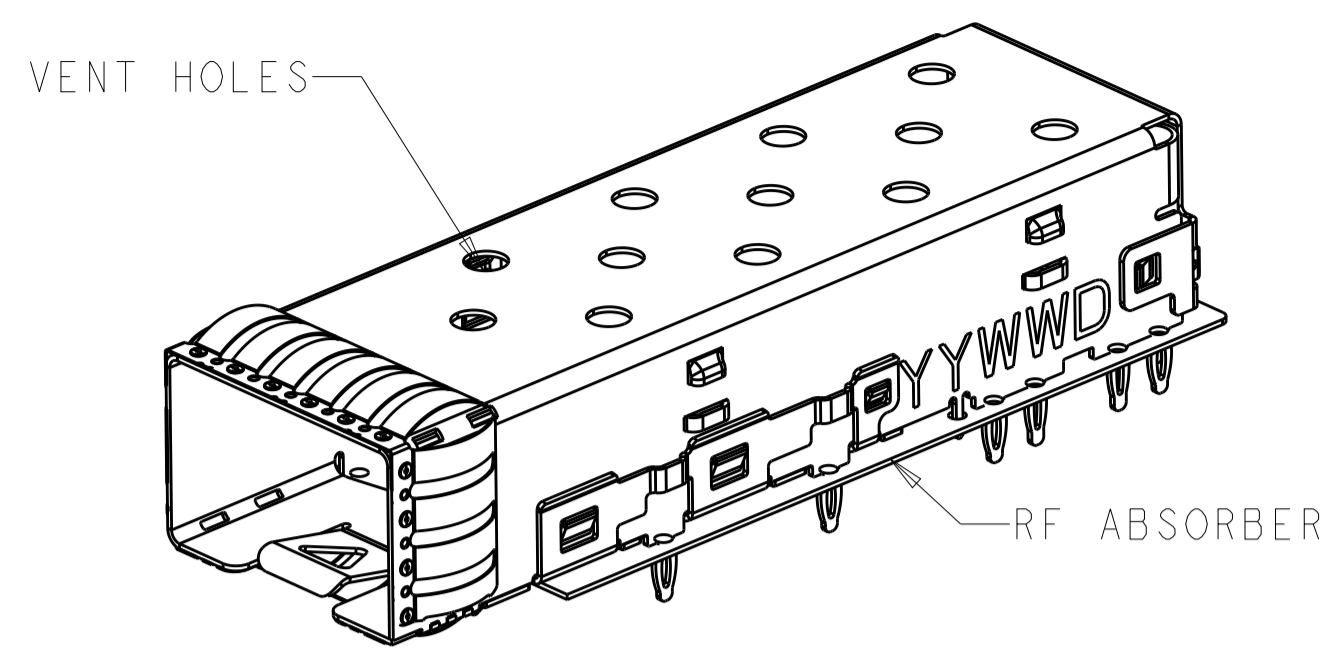
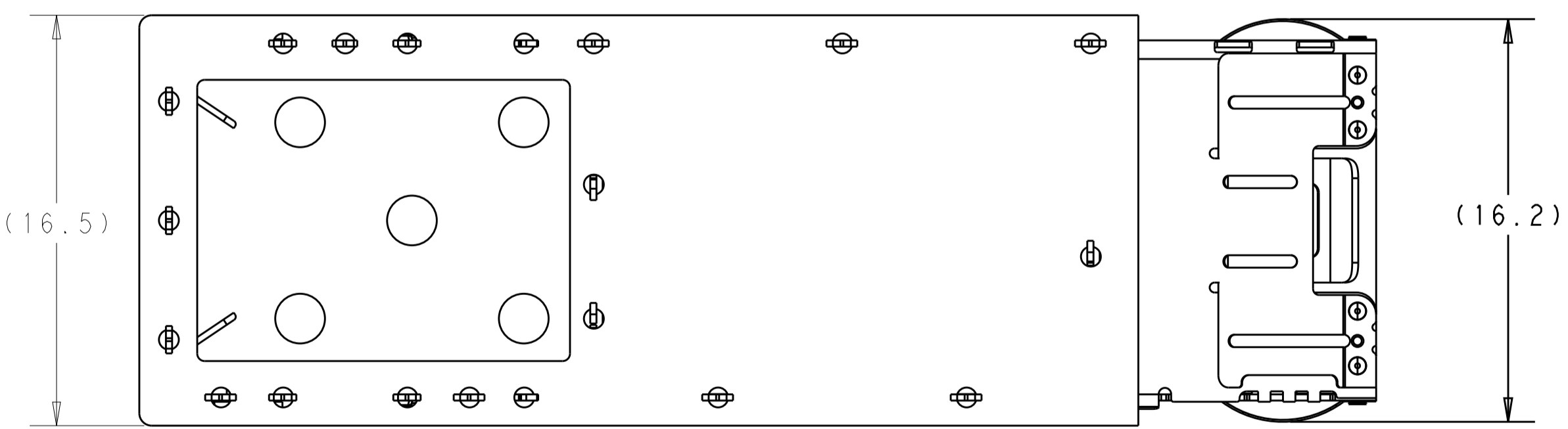
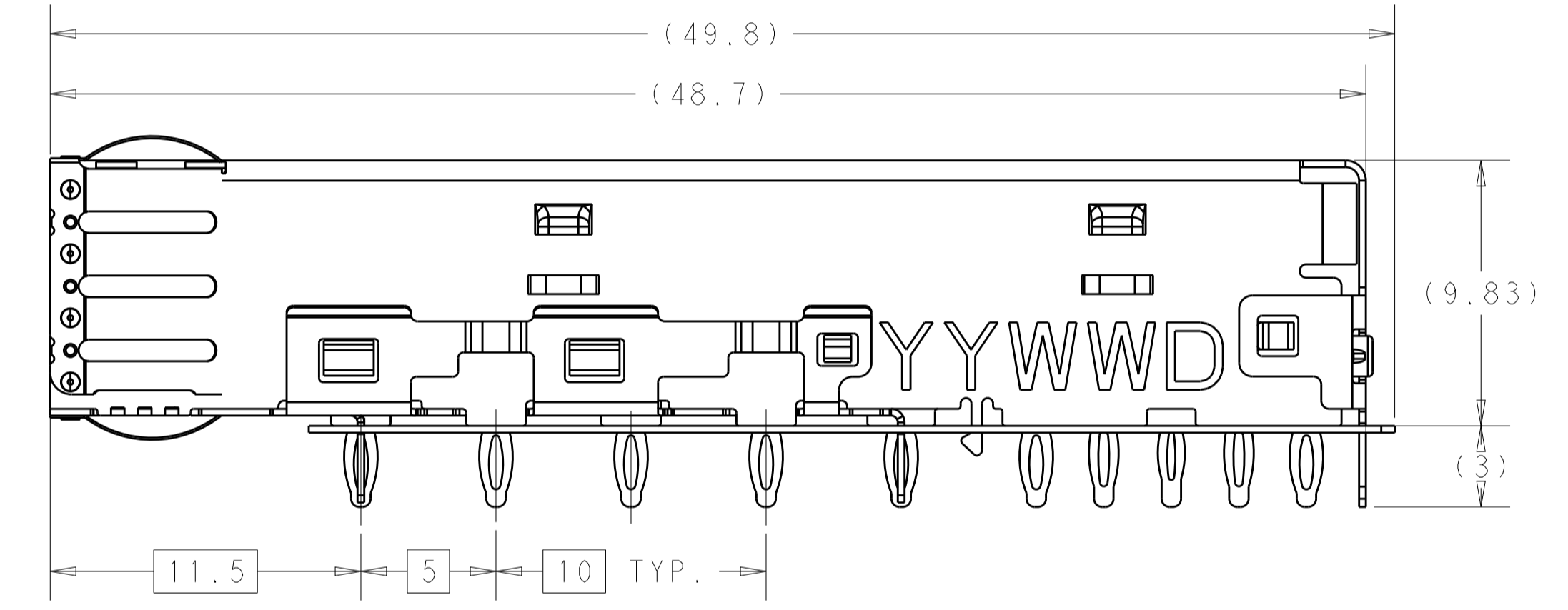
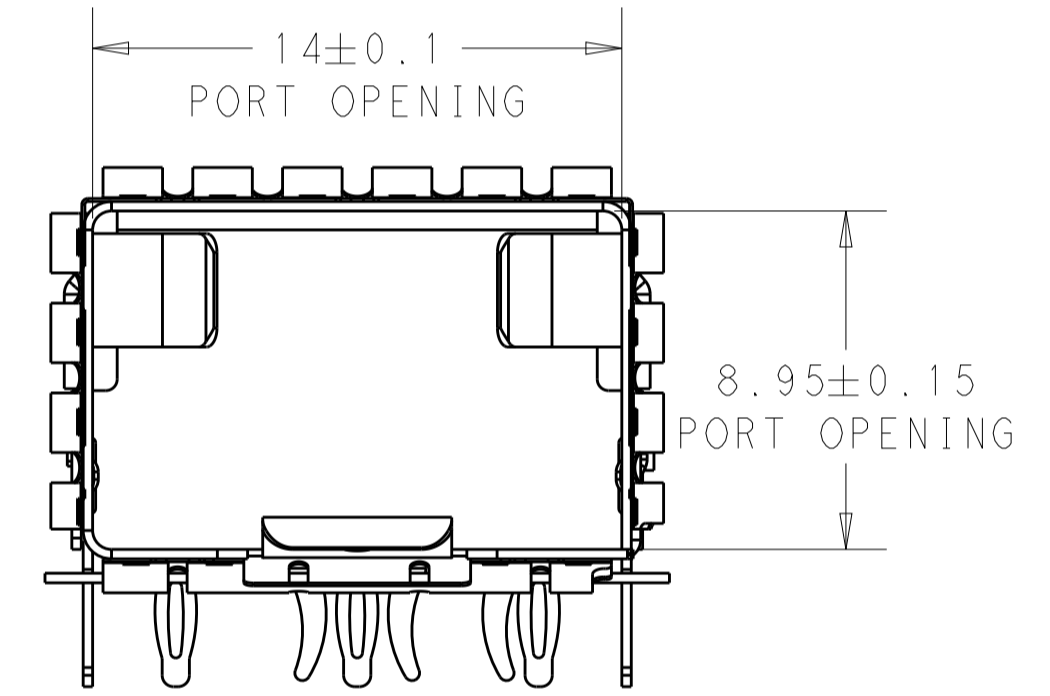
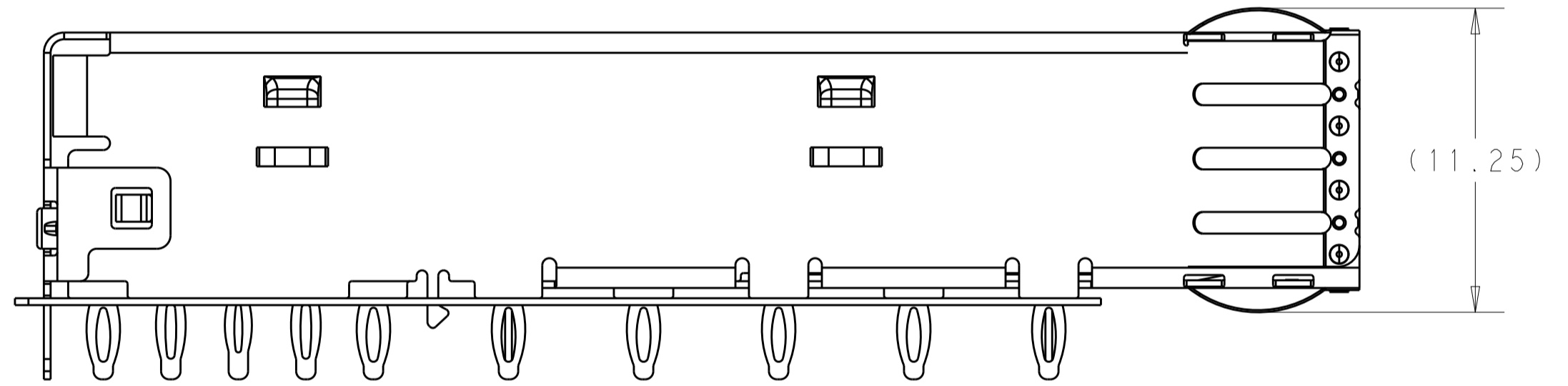
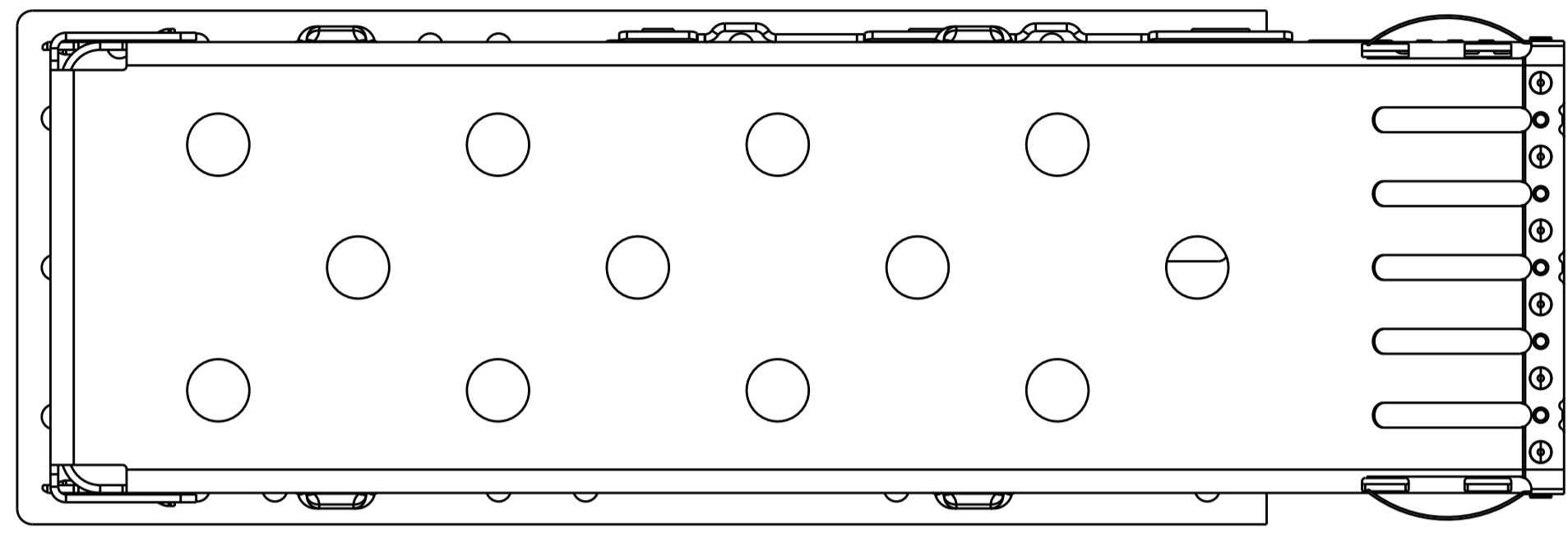


LOC	DIST	REVISIONS			
GP	00	REV	DATE	BY	CHK
		A	28SEP2016	LL	SH
		A1	13MAR2018	JW	SH
		B	22OCT2019	ES	SH



2274001-1
SCALE 3:1

- 1. MATERIAL:
CAGE ASSEMBLY - 0.25mm THICK NICKEL SILVER ALLOY.
EMI SPRINGS - COPPER ALLOY.
PCB GASKET - RF ABSORBER.
- 2. FINISH
EMI SPRINGS - 0.8um MIN NICKEL, NON-PLATED EDGES PERMISSIBLE.
- 3. MATES WITH SFP MSA COMPLIANT TRANSCEIVERS.
- 4. PADS AND VIAS CHASSIS GROUND.
- 5. DATUM AND BASIC DIMENSION ESTABLISHED BY CUSTOMER.
- 6. REFERENCE APPLICATION SPEC. 114-13120, HOLE A, FOR RECOMMENDED DRILL HOLE DIAMETER AND PLATING THICKNESS.
- 7. REFERENCE APPLICATION SPEC. 114-13120, HOLE B, FOR RECOMMENDED DRILL HOLE DIAMETER AND PLATING THICKNESS.
- 8. REFERENCE APPLICATION SPEC. 114-13120, HOLE C, FOR RECOMMENDED DRILL HOLE DIAMETER AND PLATING THICKNESS.
- 9. MINIMUM PC BOARD THICKNESS:
SINGLE SIDED = 1.50mm
- 10. CONTACT STANDOFF WILL PIERCE GASKET WHEN PROPERLY PRESSED INTO PCB.



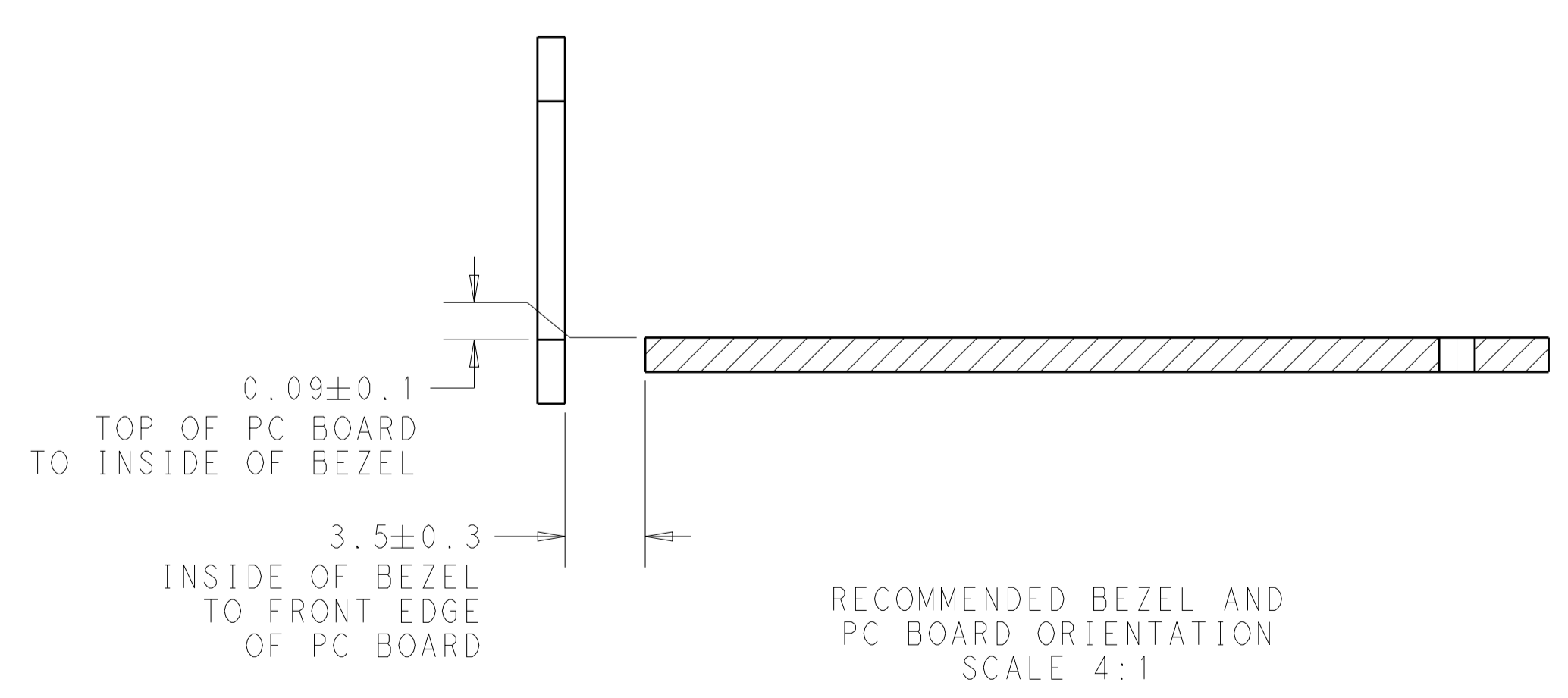
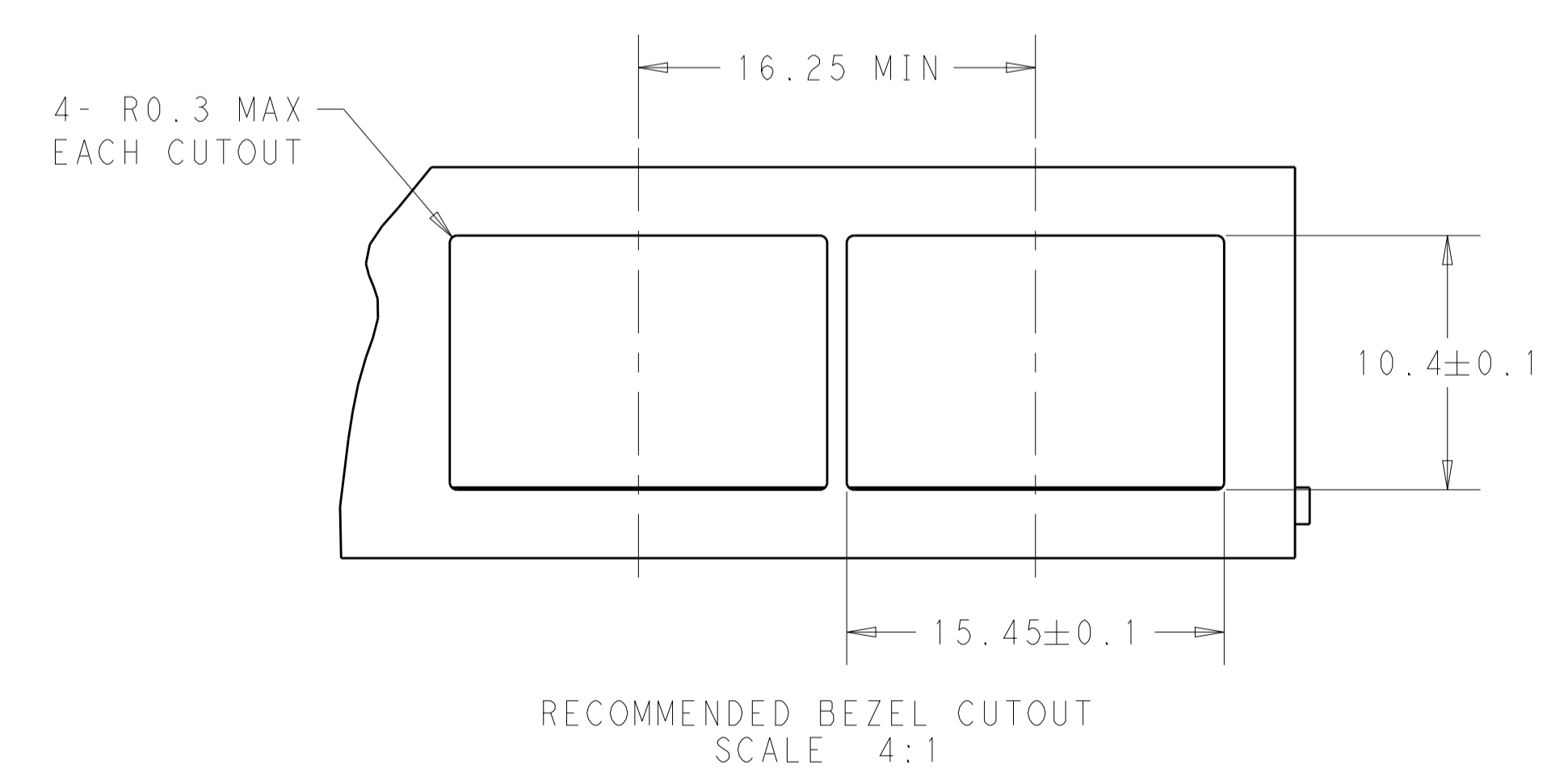
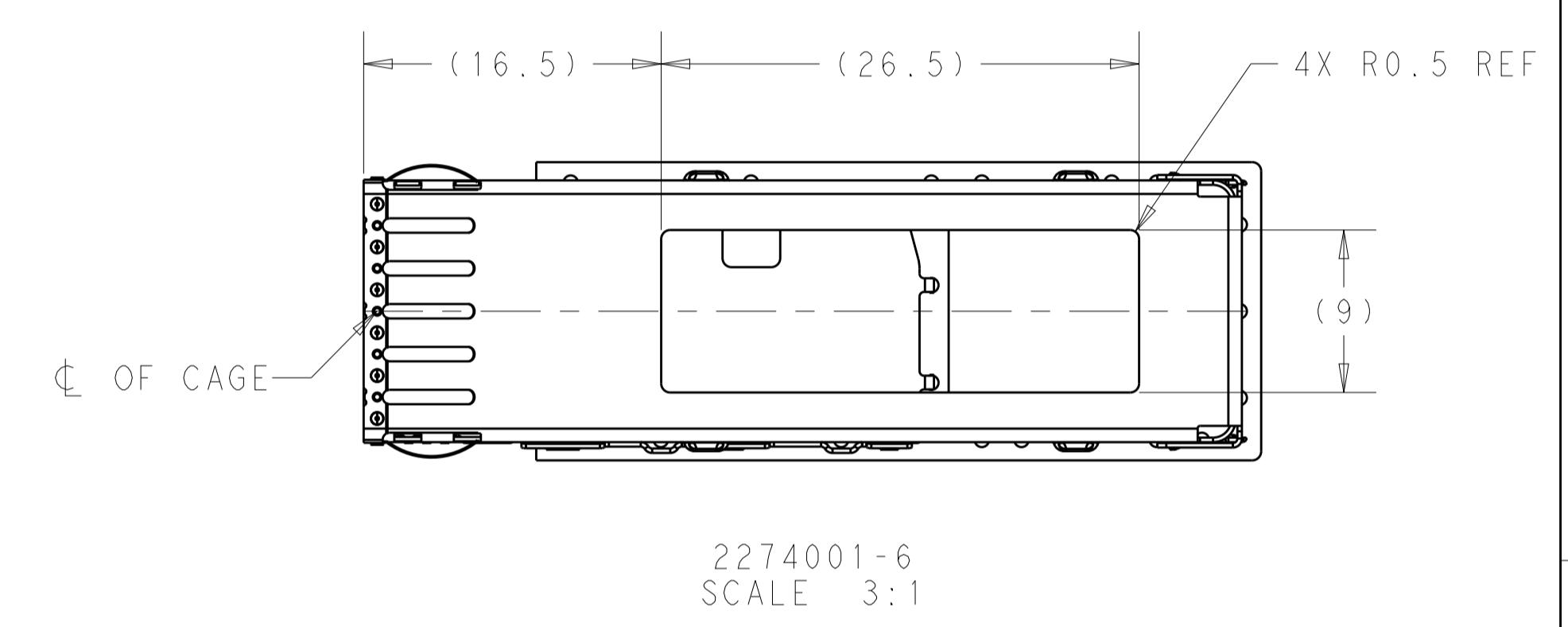
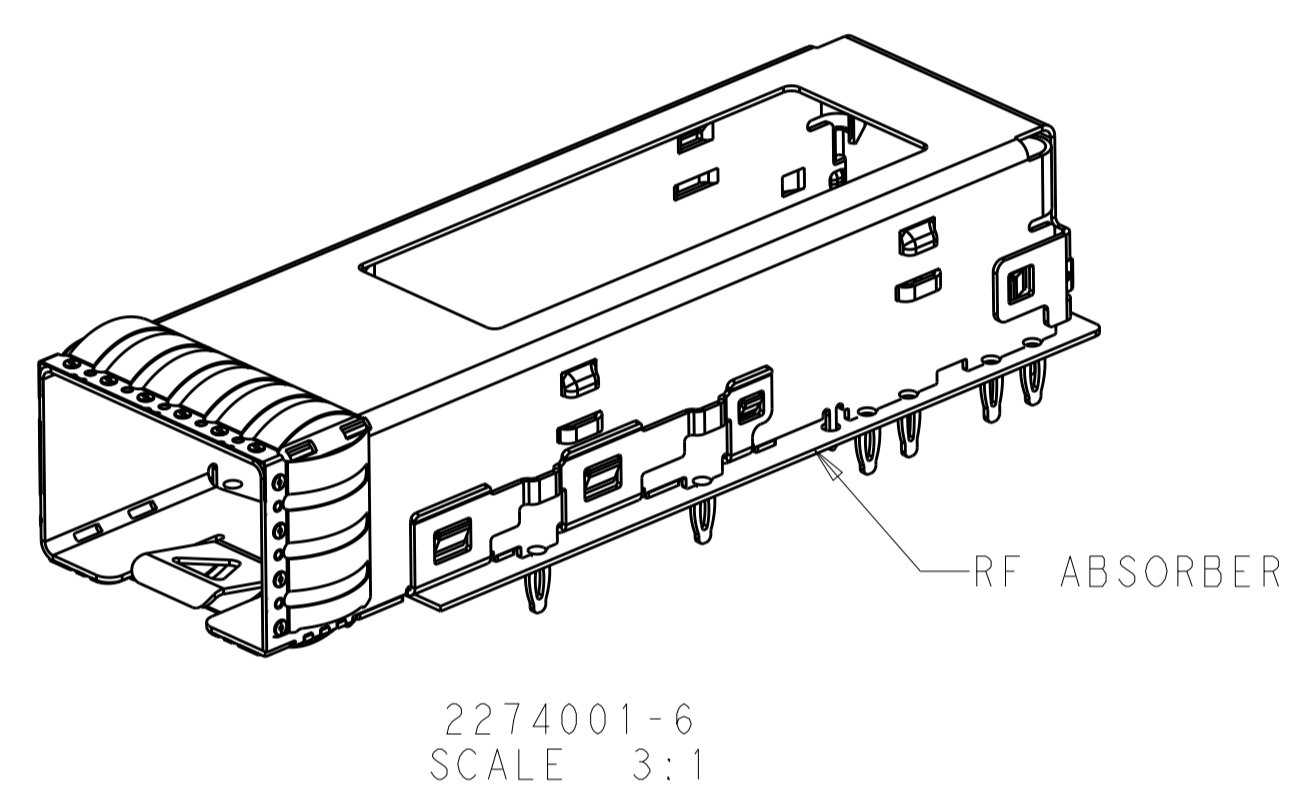
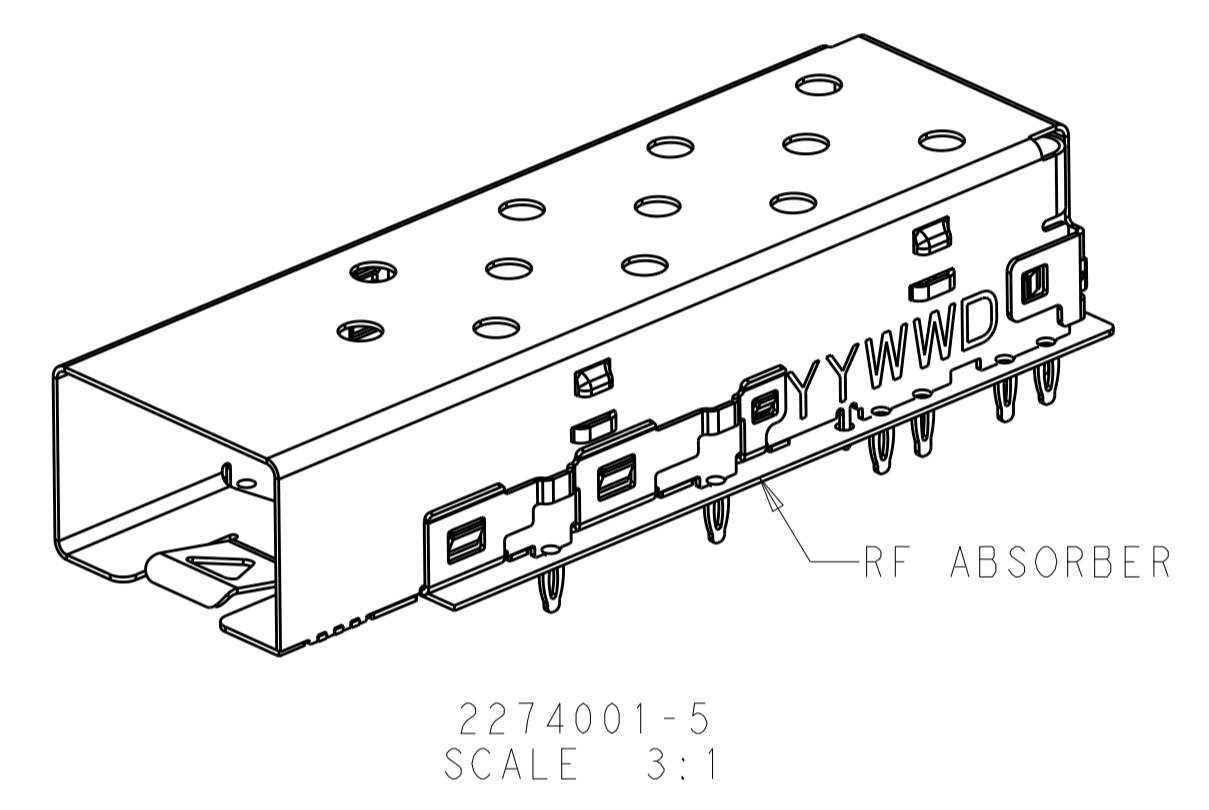
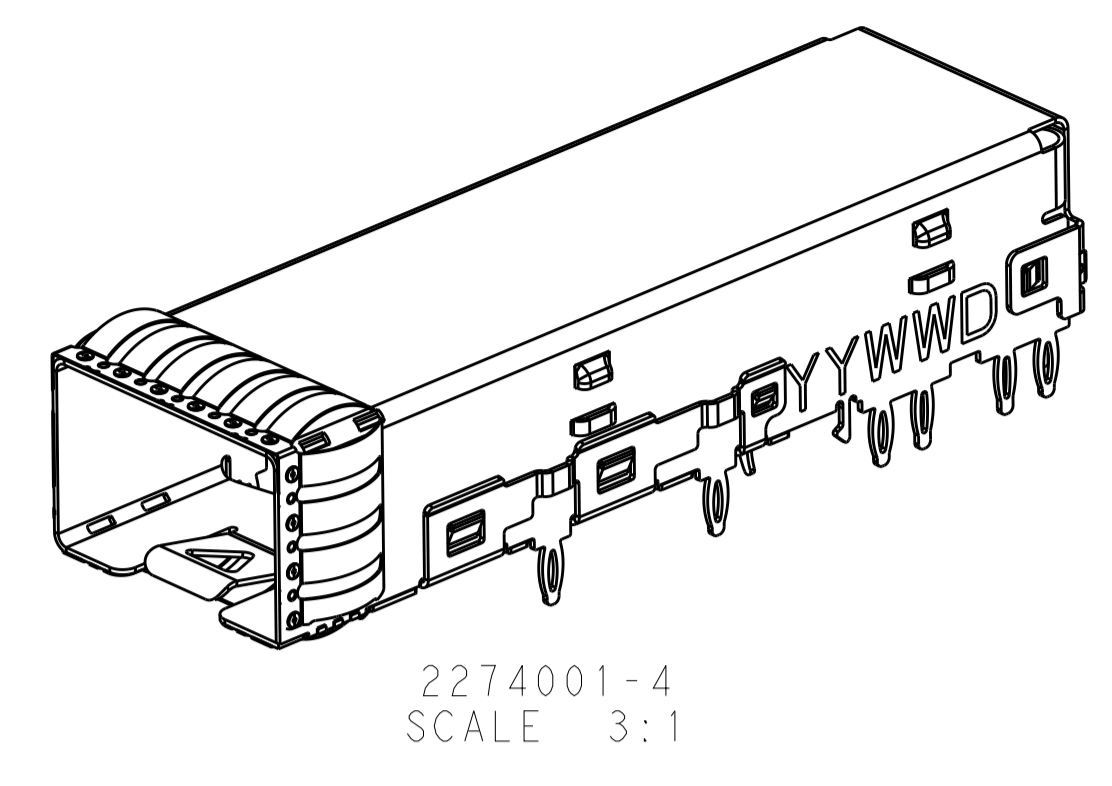
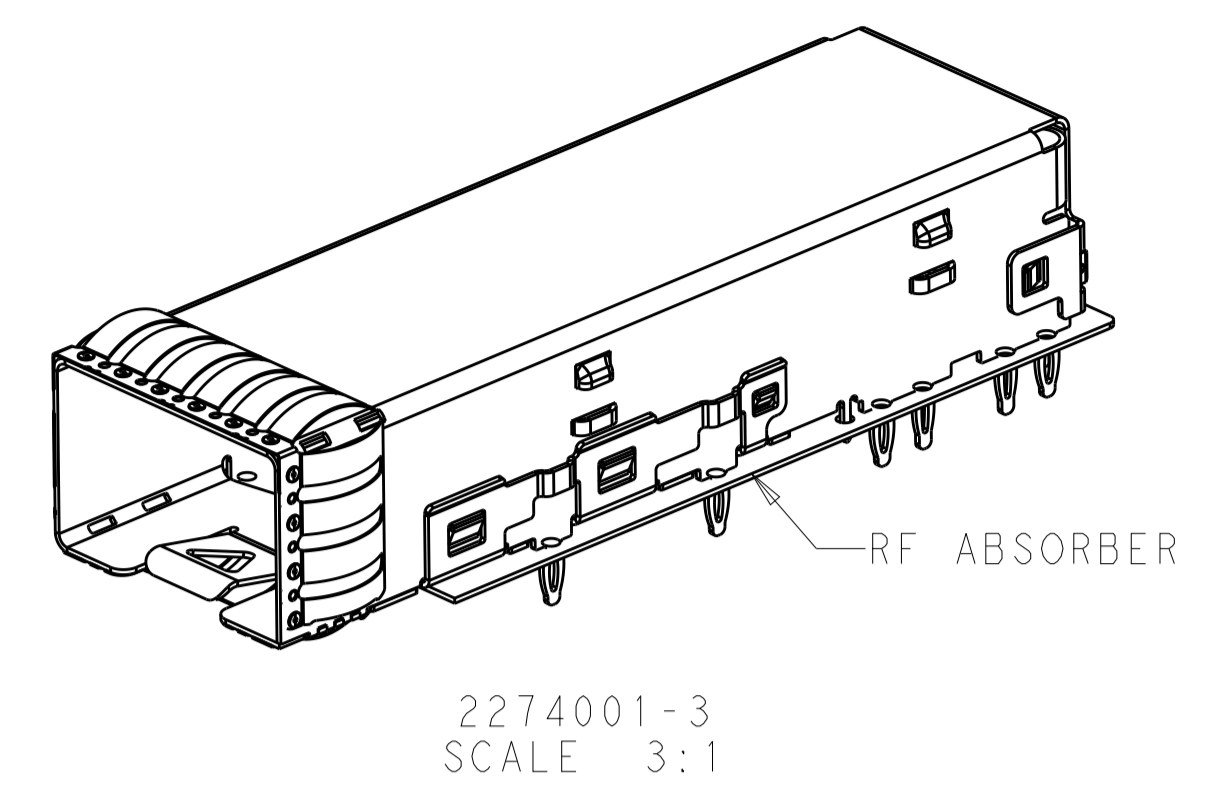
DESCRIPTION	PART NO
WITH HEAT SINK OPEN	2274001-6
W/O EMI SPRINGS	2274001-5
W/O VENT HOLES AND RFABSORBER	2274001-4
W/O VENT HOLES	2274001-3
STANDARD TYPE	2274001-1

THIS DRAWING IS A CONTROLLED DOCUMENT.

DIMENSIONS:	TOLERANCES UNLESS OTHERWISE SPECIFIED:	OWN: WINDY LIU 08APR2016	CHK: SEAN HAN 08APR2016	APVD: SEAN HAN 08APR2016	NAME: ZSFP+ 1X1 CAGE ASSEMBLY, PRESS-FIT STANDARD, EMI SPRINGS
mm	0 PLC ±0.1 1 PLC ±0.1 2 PLC ±0.1 3 PLC ±0.05 4 PLC ±0.05 ANGLES ±0.05	PRODUCT SPEC: 108-2364	APPLICATION SPEC: 114-13120	SIZE: A1	RESTRICTED TO: -
MATERIAL:	FINISH:	WEIGHT: -	CUSTOMER DRAWING	SCALE: 5:1	SHEET 1 OF 3

4805 (3/11)

LOC	DIST	REVISIONS			
GP	00	REV	DATE	BY	APPV
-	-	SEE SHEET 1	-	-	-



THIS DRAWING IS A CONTROLLED DOCUMENT.		OWN VINDY LIU 08APR2016	TE Connectivity
DIMENSIONS: mm		CHK SEAN HAN 08APR2016	
TOLERANCES UNLESS OTHERWISE SPECIFIED:		APPV SEAN HAN 08APR2016	NAME ZSFP+ 1X1 CAGE ASSEMBLY, PRESS-FIT STANDARD, EMI SPRINGS
0 PLC ±0.1	1 PLC ±0.1	PRODUCT SPEC 108-2364	SIZE CAGE CODE DRAWING NO. RESTRICTED TO
2 PLC ±0.1	3 PLC ±0.05	APPLICATION SPEC 114-13120	A100779C=2274001
4 PLC ±0.05	ANGLES ±0.05	WEIGHT	SCALE 5:1 SHEET 2 OF 3 REV B
MATERIAL	FINISH	CUSTOMER DRAWING	

