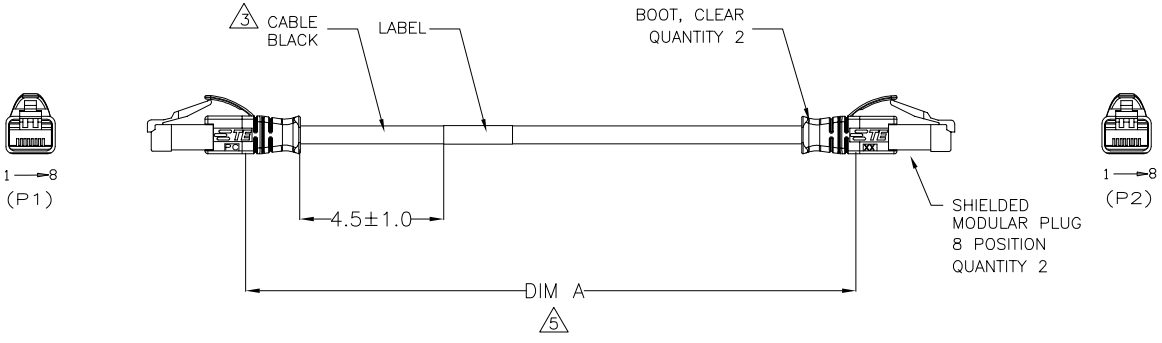
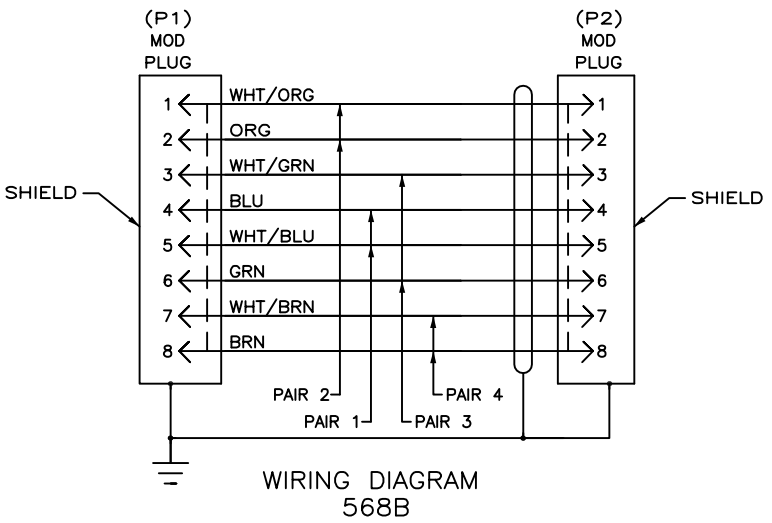


THIS DRAWING IS UNPUBLISHED. RELEASED FOR PUBLICATION
 © COPYRIGHT - By - ALL RIGHTS RESERVED.

LOC		DST		REVISIONS			
P	LTR	DESCRIPTION	DATE	DRN	APRD		
G		40024028MCO	20NOV2015	RL	WF		



- ONE CABLE PACKAGED IN A POLY BAG.
- DIMENSIONS ARE MAXIMUM UNLESS OTHERWISE SPECIFIED.
- CABLE: SHIELDED 26 AWG, 4 TWISTED PAIRS, 7/34 STRANDED CONDUCTORS, 100 OHMS CAT6A.
- DESIGNATIONS IN PARENTHESES () ARE FOR REFERENCE ONLY.



WIRING DIAGRAM
568B

METERS, REF	FEET, REF	DIM A	PART NO	METERS, REF	FEET, REF	DIM A	PART NO
30.48	100	30632.4 (1206.00)	9-1933880-9	8.53	28	8686.8 (342.00)	2-1933880-8
0.15	0.5	203.2 (8.00)	9-1933880-8	7.92	26	8077.2 (318.00)	2-1933880-6
28.96	95	29108.4 (1146.00)	9-1933880-5	7.32	24	7416.8 (292.00)	2-1933880-4
27.43	90	27584.4 (1086.00)	9-1933880-0	6.71	22	6807.2 (268.00)	2-1933880-2
25.91	85	26060.4 (1026.00)	8-1933880-5	6.1	20	6197.6 (244.00)	2-1933880-0
24.38	80	24536.4 (966.00)	8-1933880-0	5.49	18	5588.0 (220.00)	1-1933880-8
22.86	75	23012.4 (906.00)	7-1933880-5	4.88	16	4978.4 (196.00)	1-1933880-6
21.34	70	21488.4 (846.00)	7-1933880-0	4.57	15	4673.6 (184.00)	1-1933880-5
19.81	65	19964.4 (786.00)	6-1933880-5	4.27	14	4368.8 (172.00)	1-1933880-4
18.29	60	18440.4 (726.00)	6-1933880-0	3.66	12	3759.2 (148.00)	1-1933880-2
16.76	55	16916.4 (666.00)	5-1933880-5	3.05	10	3149.6 (124.00)	1-1933880-0
15.24	50	15392.4 (606.00)	5-1933880-0	2.74	9	2794.0 (110.00)	1933880-9
13.72	45	13868.4 (546.00)	4-1933880-5	2.44	8	2489.2 (98.00)	1933880-8
12.20	40	12344.4 (486.00)	4-1933880-0	2.14	7	2184.4 (86.00)	1933880-7
11.58	38	11734.8 (462.00)	3-1933880-8	1.83	6	1879.6 (74.00)	1933880-6
10.97	36	11125.2 (438.00)	3-1933880-6	1.53	5	1574.8 (62.00)	1933880-5
10.36	34	10515.6 (414.00)	3-1933880-4	1.22	4	1270.0 (50.00)	1933880-4
9.75	32	9906.0 (390.00)	3-1933880-2	0.92	3	965.2 (38.00)	1933880-3
9.14	30	9296.4 (366.00)	3-1933880-0	0.61	2	660.4 (26.00)	1933880-2
				0.30	1	355.6 (14.00)	1933880-1

THIS DRAWING IS A CONTROLLED DOCUMENT.

DIMENSIONS: mm (INCHES)	TOLERANCES UNLESS OTHERWISE SPECIFIED: 0 PLC ± 1 PLC ± 2 PLC ± 3 PLC ± 4 PLC ± MILES ±	DRN RLI CHK F.ZHANG APRD W.FAN PRODUCT SPEC APPLICATION SPEC	DATE 20NOV2015 20NOV2015 20NOV2015	NAME W.FAN	SIZE A2	CAGE CODE 00779	DRAWING NO ©=1933880	RESTRICTED TO
MATERIAL - 3	FINISH -	TE Connectivity		CABLE ASSY, MOD PLUG, 8 POSN, SHIELDED, BLACK, CAT 6A		SCALE NTS		SHEET 1 of 1
CUSTOMER DRAWING			SCALE NTS		SHEET 1 of 1		REV G	

Mouser Electronics

Authorized Distributor

Click to View Pricing, Inventory, Delivery & Lifecycle Information:

[TE Connectivity Divested:](#)

[229181-3](#)