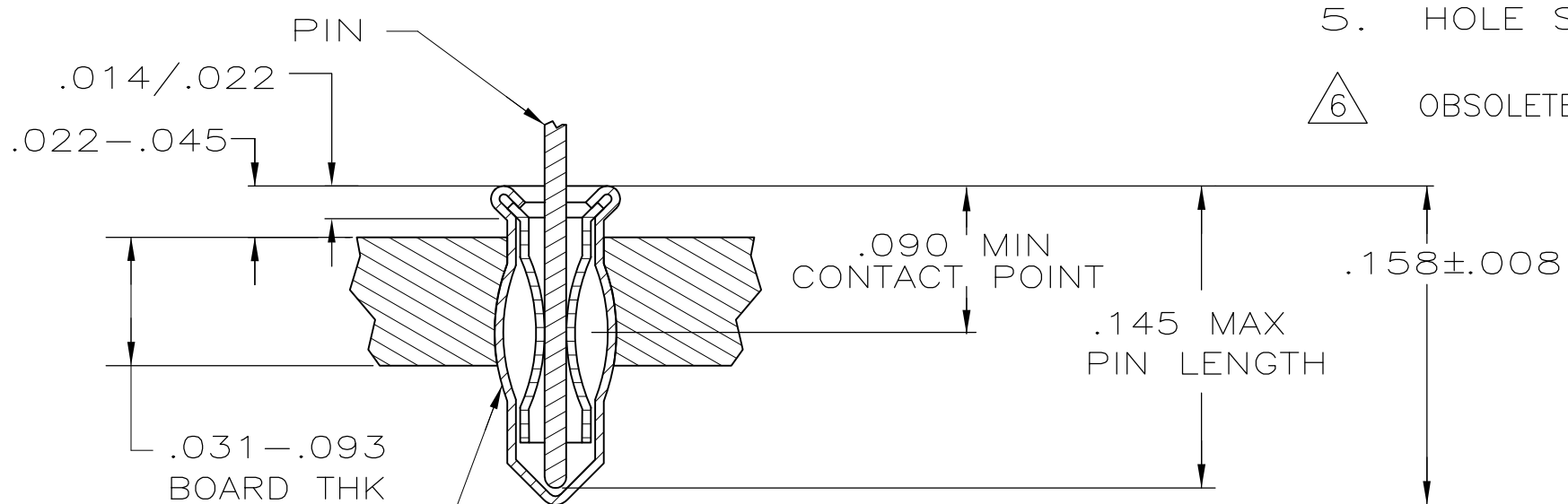
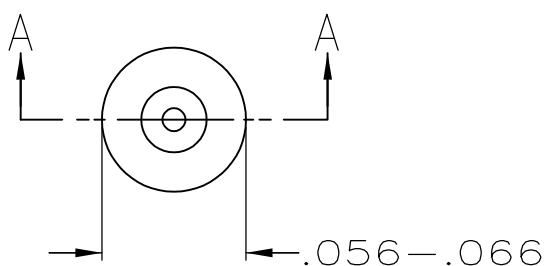


THIS DRAWING IS UNPUBLISHED. RELEASED FOR PUBLICATION  
 © COPYRIGHT - BY TYCO ELECTRONICS CORPORATION. ALL RIGHTS RESERVED.

LOC	DIST	REVISIONS					
		P	LTR	DESCRIPTION	DATE	DWN	APVD
AG	53		A	REVISED PER ECO-06-001742	31JAN06	JDP	JGH
			A1	REVISED PER ECO-09-024606	03NOV09	KK	AEG



INSERTION MACHINE CAPABLE OF OVALIZING SOCKET FOR RETENTION IN PC BOARD WITH .042±.003 DIA HOLE PRIOR TO SOLDERING OPERATION

SECTION A-A

1. MATERIAL:  
 EYELET - COPPER PER ASTM B 152  
 SPRING - BERYLLIUM COPPER PER ASTM B 194
2. TIN PLATE PER ASTM-B-545 .000100 MIN THICK
3. GOLD PLATE PER ASTM B 488 .000030 MIN THICK ON CONTACT AREA.
4. TO INSURE 1/2 OZ MIN RETENTION DO NOT EXCEED .004 DIFFERENCE IN PIN DIA WHEN CHANGING TO A SMALLER DIA PIN
5. HOLE SIZE FOR HAND INSERTION 0.043-0.046
6. OBSOLETE PARTS: OBSOLETE CIS STREAMLINING PER D.RENAUD/D.SINISI

.090-.145	.012-.018	GOLD 3	TIN 2	6	5645945-5-
	.015-.021	TIN 2			5645945-2
					5645945-1
LENGTH	DIA 3	SPRING	EYELET	PART NO	
PIN		FINISH			

THIS DRAWING IS A CONTROLLED DOCUMENT.		DWN G. ATTADIA - 20APR2005	Tyco Electronics Corporation Harrisburg, PA 17105-3608		
DIMENSIONS: INCHES		CHK J. HAVENER 20APR2005	NAME MINIATURE SPRING SOCKET ASSEMBLY SERIES 1 SHORT		
TOLERANCES UNLESS OTHERWISE SPECIFIED:		APVD J. HAVENER 20APR2005	PRODUCT SPEC 108-14008		
0 PLC ± -		APPLICATION SPEC 114-13152		SIZE	RESTRICTED TO
1 PLC ± -		WEIGHT -		CAGE CODE	
2 PLC ± -		CUSTOMER DRAWING		DRAWING NO	
3 PLC ± -		SCALE NTS		SHEET	
4 PLC ± -		SHEET 1 OF 1		REV	
ANGLES ± -		A3 00779			
FINISH		G=5645945			
NOTE 1		SEE TABLE			