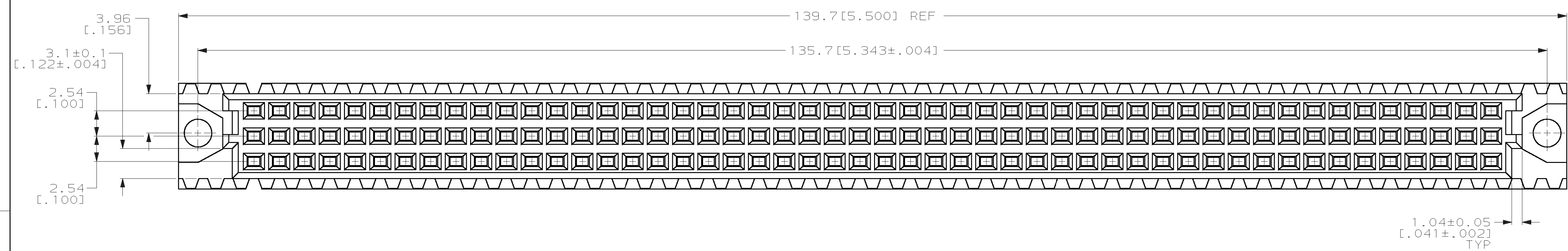
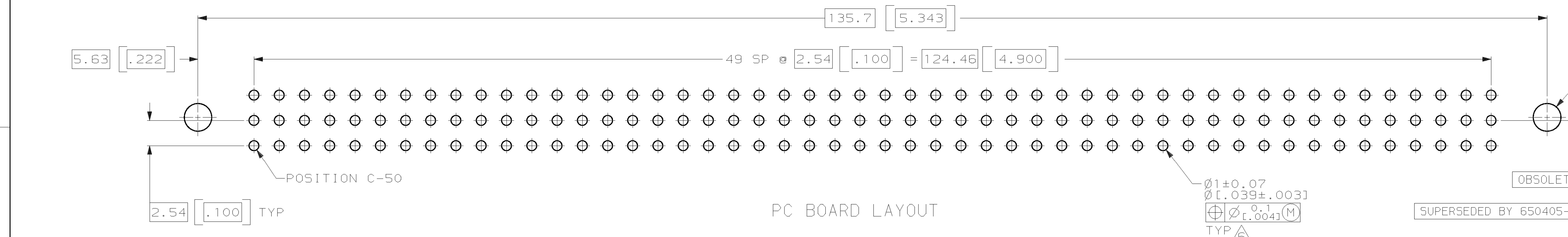
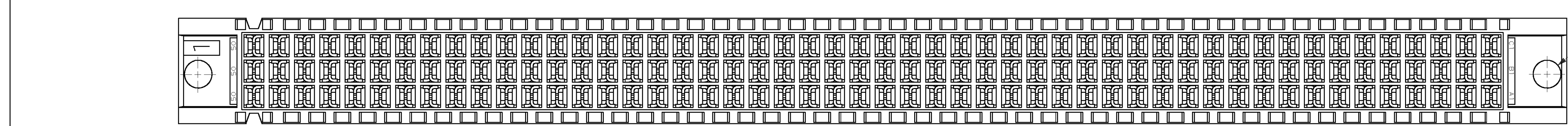
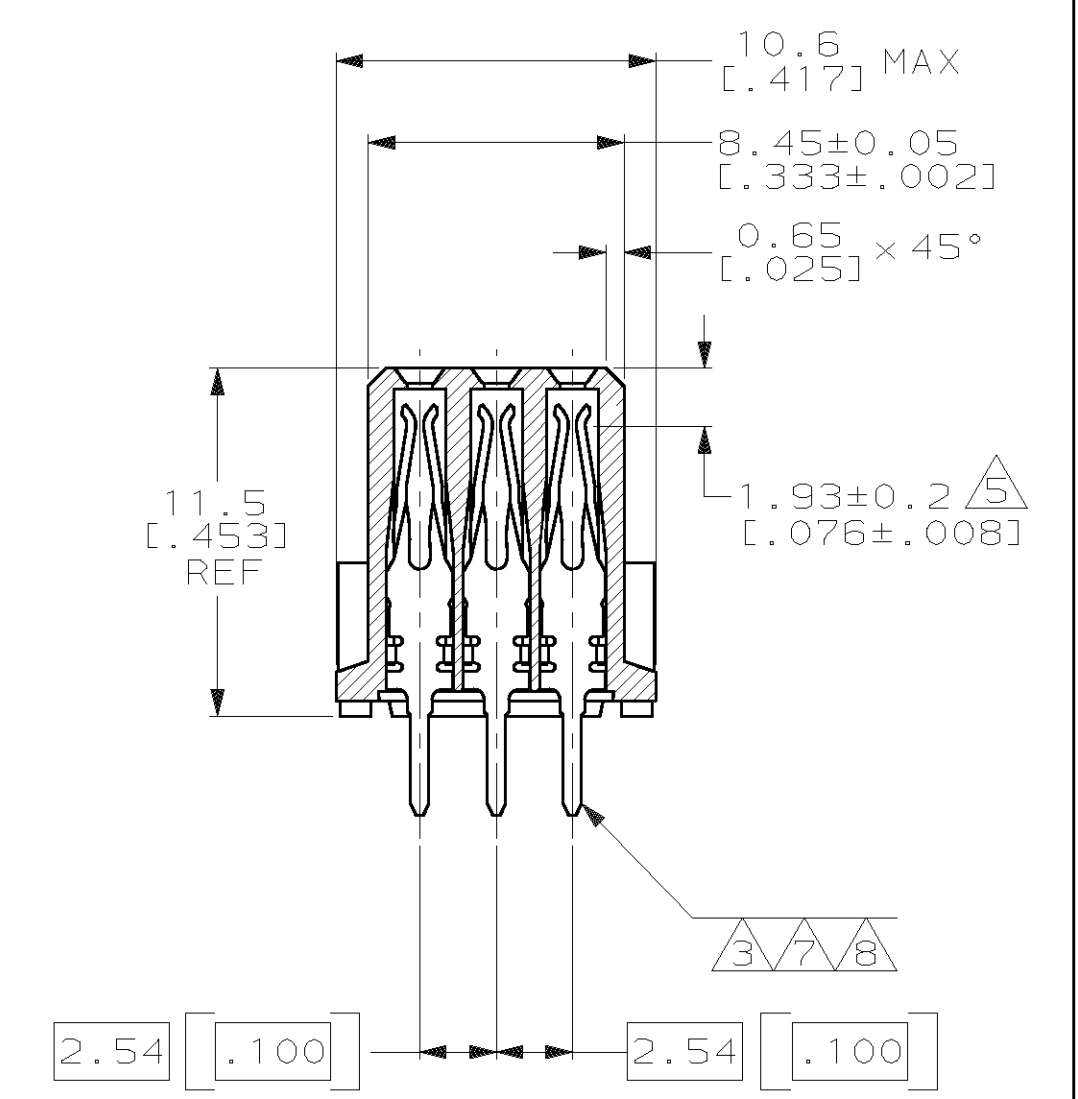
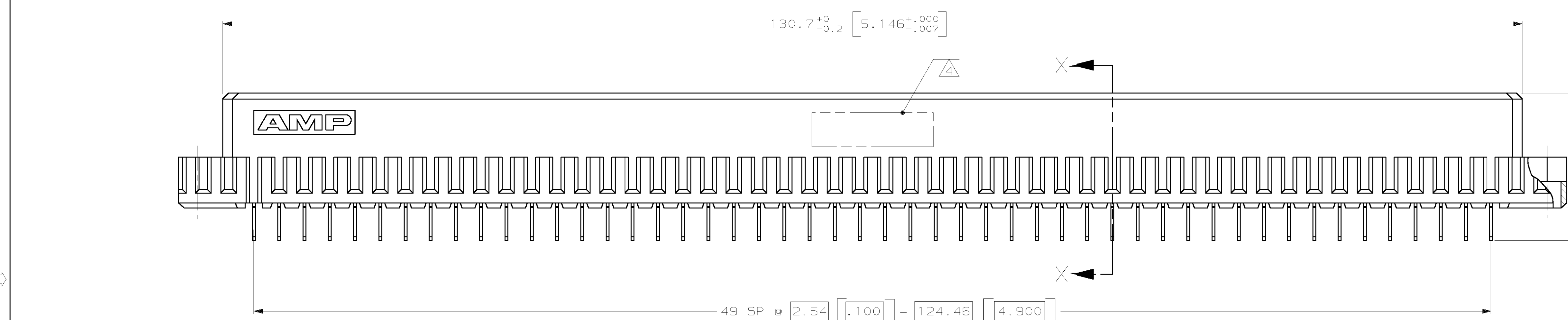


LOC	DIST	P	F	ZONE	LTR	DESCRIPTION	DATE	APPD
AD	25				E	EC 0010-1437-95	1/11/96	CR
					F	EC 0010-1488-95	4/1/96	CR
					G	REV PER EC OUTB-0367-00	04 JAN 01	CR



- ① HOUSING MATERIAL: GLASS-FILLED POLYESTER. COLOR: GRAY.
- ② CONTACT MATERIAL: PHOSPHOR BRONZE.
- ③ CONTACT FINISH: 0.00076 [0.00030] GOLD IN CONTACT AREA. 0.00127 [0.00050] NICKEL UNDERPLATE ALL OVER. TIN-LEAD ON TAILS.
- ④ PART NUMBER, DATE CODE IDENTIFICATION, CSA LOGO IN THIS APPROXIMATE AREA.
- ⑤ POINT OF MEASUREMENT FOR GOLD.
- ⑥ RECOMMENDED HOLE SIZE FOR MANUAL APPLICATION OF CONNECTOR ONTO PC BOARD.
- ⑦ CONTACT FINISH: DIN 41612 CLASS 3 IN CONTACT AREA. TIN-LEAD ON TAILS.
- ⑧ CONTACT FINISH: DIN 41612 CLASS 2 IN CONTACT AREA. TIN-LEAD ON TAILS.



OBSOLETE	POSITIONS LOADED	C B A			NO. OF LOADED POSITION	ASSY PART NUMBER
		ROWS LOADED				
⑦	1 THRU 50	X	X	X	150	650405-9
⑧	1 THRU 50	X	X	X	150	650405-5
③	1 THRU 50	X	X	X	150	650405-4

NOTES		POSITIONS LOADED		C	B	A	NO. OF LOADED POSITION	ASSY PART NUMBER
DO NOT SCALE PRINT. UNLESS SPECIFIED DIMENSIONS IN mm [INCHES] TOLERANCES ON:								
1 PLC DEC ±								
2 PLC DEC ± 0.13 [0.005]								
ANGLES ±								
MATERIAL		HSG						
		CONT						
FINISH		CONT						
DR L. BRINER 6/15/89		CHK J. BROWN 8/1/89		APPD J. BROWN 8/1/89		NAME		AMP INCORPORATED Harrisburg, Pa. 17105
APPD J. BROWN 8/1/89		PRODUCT SPEC				ASSEMBLY, RECEPTACLE, EUROCARD, SOLDER TAIL, 150 POSITION		
APPLICATION SPEC		SIZE		FSCM NO		DRAWING NO		650405
		D		00779				
WEIGHT		SCALE		4:1		SHEET		1 OF 1