

Distributed by:

JAMECO[®]
ELECTRONICS

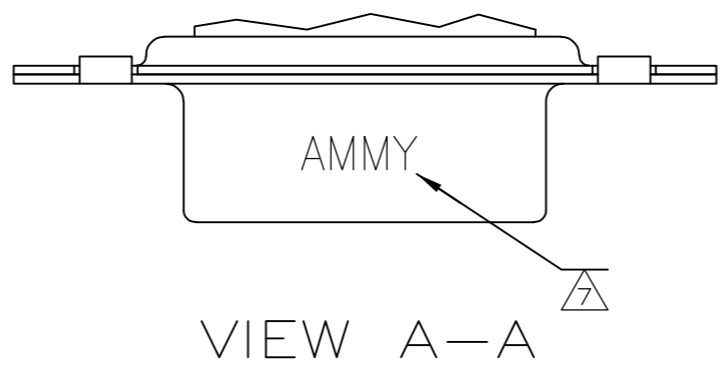
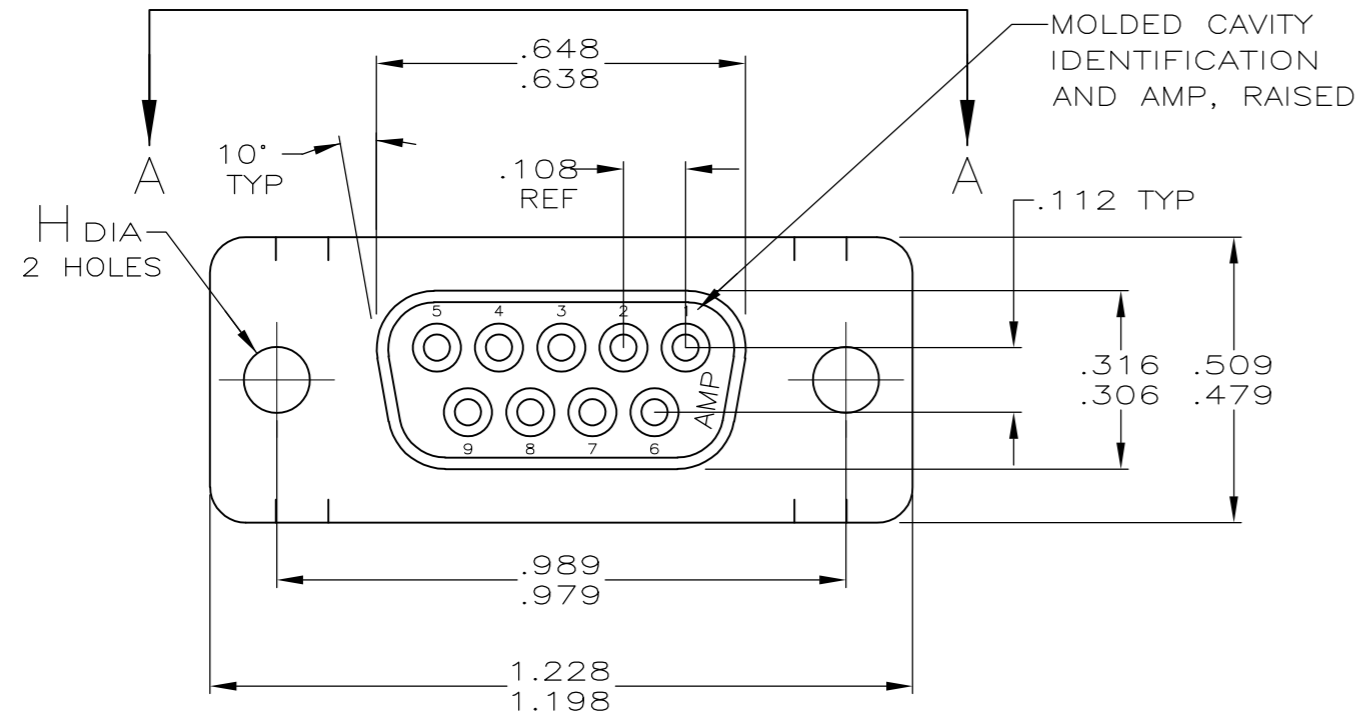
www.Jameco.com ♦ 1-800-831-4242

The content and copyrights of the attached
material are the property of its owner.

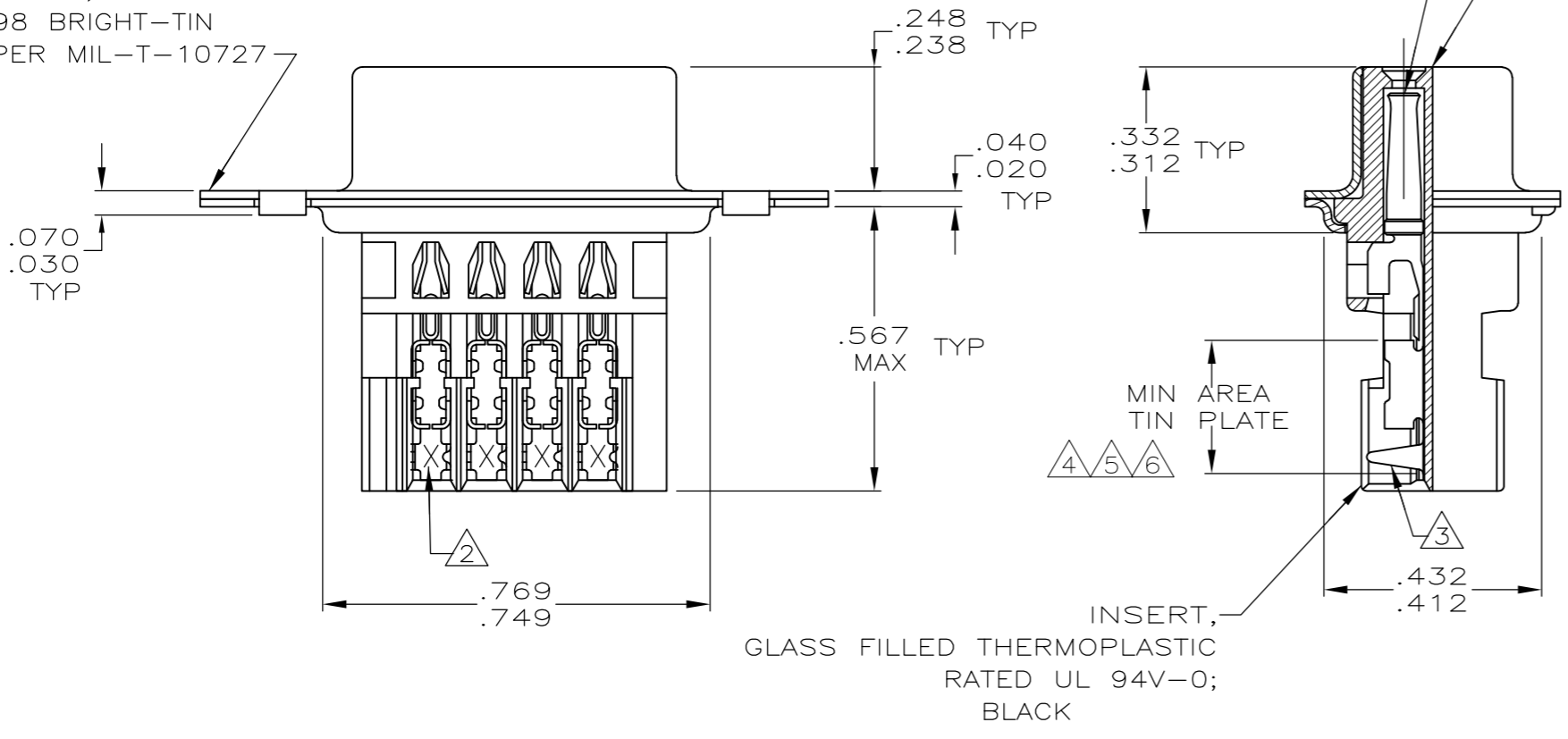
Jameco Part Number 614070

THIS DRAWING IS UNPUBLISHED. RELEASED FOR PUBLICATION
 © COPYRIGHT BY TYCO ELECTRONICS CORPORATION. ALL RIGHTS RESERVED.

LOC	DIST	REVISIONS			
P	LTR	DESCRIPTION	DATE	DWN	APVD
GP	00	M2	REVISED PER ECO-07-008164	10AUG07	JDP/CWR



SHELL, STEEL, PER QQ-S-698 BRIGHT-TIN PLATED PER MIL-T-10727



- 1 HOUSING FULLY LOADED WITH CONTACTS.
- 2 NUMBER ON CONTACT INDICATES WIRE RANGE.
- 3 CONTACT INSULATION RANGE: .060 MAXIMUM O.D.
- 4 .000030 GOLD ON MATING END FOR .100 MIN LENGTH. .000100-.000200 BRIGHT TIN OR BRIGHT TIN-LEAD IN AREA SHOWN. .000050 NICKEL UNDERPLATE ON ENTIRE CONTACT.
- 5 .000001 MIN GOLD ON MATING END FOR .100 MIN LENGTH. .000100-.000200 BRIGHT TIN OR BRIGHT TIN-LEAD IN AREA SHOWN. .000030 NICKEL UNDERPLATE ON ENTIRE CONTACT.
- 6 .000050 MIN GOLD FOR A LENGTH OF .100 MIN FROM MATING END. .000100 MIN TIN OR TIN-LEAD IN TIN PLATE AREA. BOTH OVER .000050 MIN NICKEL.
- 7 SPECIAL DATE CODE IN THIS APPROXIMATE AREA. A; MM = MONTH; Y = LAST DIGIT OF YEAR.
- 8 SUPERSEDED BY 745491-5
- 9 SUPERSEDED BY 745491-3
- 10 SUPERSEDED BY 745491-1
- 11 .000030 GOLD ON MATING END FOR .100 MIN LENGTH. .000100-.000200 MATTE TIN IN AREA SHOWN. .000050 NICKEL UNDERPLATE ON ENTIRE CONTACT.
- 12 .000001 MIN GOLD ON MATING END FOR .100 MIN LENGTH. .000100-.000200 MATTE TIN IN AREA SHOWN. .000030 NICKEL UNDERPLATE ON ENTIRE CONTACT.

STANDARD	PLC	FINISH	CONTACT FINISH	AWG WIRE RANGE	PART NUMBER	
STANDARD	.125 .115	11	3	#20-22	1-745491-9	
STANDARD	.125 .115	12	2	#22-26	1-745491-8	
STANDARD	.125 .115	11	2	#22-26	1-745491-7	
STANDARD	.125 .115	11	1	#26-30	1-745491-6	
SMALL PACK	.125 .115	5	2	#22-26	1-745491-5	
7 OBSOLETE	STANDARD	.120	6	2	#22-26	1-745491-3
OBSOLETE				3	#20-22	1-745491-2
OBSOLETE	STANDARD	.156 .146	5	2	#22-26	1-745491-1
OBSOLETE				1	#26-30	1-745491-0
OBSOLETE				3	#20-22	745491-9
OBSOLETE	STANDARD	.156 .146	4	2	#22-26	745491-8
OBSOLETE				1	#26-30	745491-7
OBSOLETE				3	#20-22	745491-6
OBSOLETE	STANDARD	.125 .115	5	2	#22-26	745491-5
OBSOLETE				1	#26-30	745491-4
OBSOLETE				3	#20-22	745491-3
OBSOLETE	STANDARD	.125 .115	4	2	#22-26	745491-2
OBSOLETE				1	#26-30	745491-1
PACKAGING	H	CONTACT FINISH	2	AWG WIRE RANGE	PART NUMBER	

THIS DRAWING IS A CONTROLLED DOCUMENT.

DIMENSIONS: INCHES	TOLERANCES UNLESS OTHERWISE SPECIFIED:	DWN 11-16-04 L. VARELA - DOCK5	Tyco Electronics Corporation Harrisburg, PA 17105-3608
		CHK 4-12-90 J. GERACE	RECEPTACLE ASSEMBLY, METAL SHELL, SIZE 1, 9 POSITION, SERIES HDE-20 FOR MASS TERMINATION
		APVD 11-16-04 M. WALMSLEY	SIZE CAGE CODE DRAWING NO A2 00779 C=745491
MATERIAL SEE CALL OUT	FINISH SEE TABLE	WEIGHT -	RESTRICTED TO -
CUSTOMER DRAWING		SCALE 4:1	SHEET 1 OF 1 REV M2