



CII

TE Internal #: 8-1617805-8

Time Delay Relay, DC, 2 Form C DPDT-CO, 10 A Contact Rating, Panel & Socket Mount, Hermetically Sealed, 125 °C [257 °F]

[View on TE.com >](#)

Relays & Contactors > Electromechanical Relays



Relay & Contactor Type: **Time Delay Relay**

Contact Arrangement: **2 Form C DPDT-CO**

Current Type: **DC**

Contact Current Rating: **10 A**

Main Termination & Connection Type: **Socket Pins**

## Features

### Product Type Features

Relay & Contactor Type	Time Delay Relay
------------------------	------------------

### Configuration Features

Contact Arrangement	2 Form C DPDT-CO
---------------------	------------------

### Electrical Characteristics

Input Voltage	28 VDC
Contact Current Rating	10 A

### Body Features

Enclosure Type	Hermetically Sealed
----------------	---------------------

### Contact Features

Contact Material	Silver Cadmium Oxide
------------------	----------------------

### Termination Features

Main Termination & Connection Type	Socket Pins
Coil Termination & Connection Type	Socket Pins

### Mechanical Attachment

Product Mounting Feature Type	Mounting Brackets
Product Mount Type	Panel & Socket Mount

### Dimensions

Product Width	25.6 mm[1.008 in]
Product Length	43.6 mm[1.717 in]
Product Height	25.4 mm[1 in]

### Usage Conditions

Operating Temperature Range	-55 – 125 °C
Environmental Ambient Temperature (Max)	125 °C[257 °F]

### Operation/Application

Indicator Type	No Indicator
Repeatability (Max)	±10%
Type of Control	Adjustable
Mode of Operation	Delay on Release
Delay Time	2 seconds
Current Type	DC

### Other

Contact Current Class	>5 – ≤10 A
Height Class (Mechanical)	>22 – ≤27 mm[>.866 – ≤1.063 in]
Length Class (Mechanical)	>33 – ≤45 mm[>1.299 – ≤1.772 in]
Width Class (Mechanical)	>22 – ≤33 mm[>.866 – ≤1.299 in]

### Product Compliance

[For compliance documentation, visit the product page on TE.com>](#)

EU RoHS Directive 2011/65/EU	Not Compliant
EU ELV Directive 2000/53/EC	Not Compliant
China RoHS 2 Directive MIIT Order No 32, 2016	有害物质含量超出标准 Restricted Substance(s) Above Threshold
EU REACH Regulation (EC) No. 1907/2006	Current ECHA Candidate List: JUNE 2025 (250) Candidate List Declared Against: JAN 2025 (247) SVHC > Threshold: CADMIUM (METAL) (10% in contacts)
Halogen Content	Low Halogen - Br, Cl, F < 900 ppm per homogenous material. Also BFR/CFR/PVC Free
Solder Process Capability	Not lead free process capable

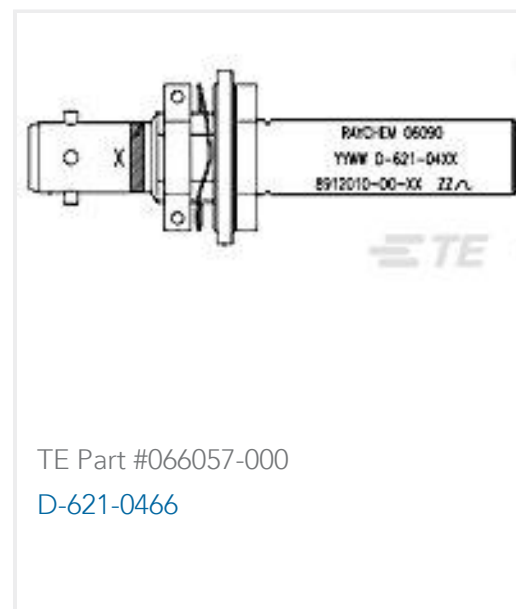
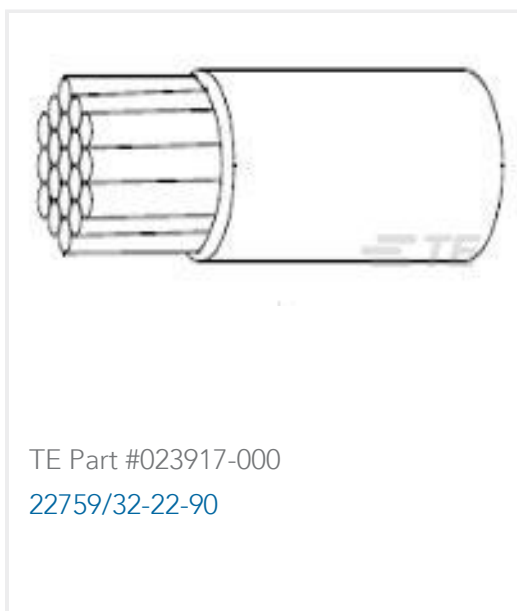
Product Compliance Disclaimer

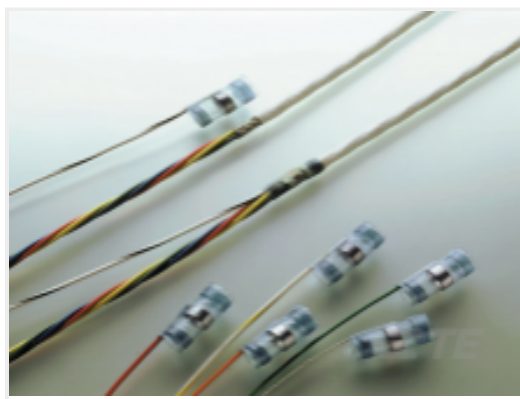
This information is provided based on reasonable inquiry of our suppliers and represents our current actual knowledge based on the information they provided. This information is subject to change. The part numbers that TE has identified as EU RoHS compliant have a maximum concentration of 0.1% by weight in homogenous materials for lead, hexavalent chromium, mercury, PBB, PBDE, DBP, BBP, DEHP, DIBP, and 0.01% for cadmium, or qualify for an exemption to these limits as defined in the Annexes of Directive 2011/65/EU (RoHS2). Finished electrical and electronic equipment products will be CE marked as required by Directive 2011/65/EU. Components may not be CE marked. Additionally, the part numbers that TE has identified as EU ELV compliant have a maximum concentration of 0.1% by weight in homogenous materials for lead, hexavalent chromium, and mercury, and 0.01% for cadmium, or qualify for an exemption to these limits as defined in the Annexes of Directive 2000/53/EC (ELV). Regarding the REACH Regulations, TE's information on SVHC in articles for this part number is still based on the European Chemical Agency (ECHA) 'Guidance on requirements for substances in articles' (Version: 2, April 2011), applying the 0.1% weight on weight concentration threshold at the finished product level. TE is aware of the European Court of Justice ruling of September 10th, 2015 also known as O5A (Once An Article Always An Article) stating that, in case of 'complex object', the threshold for a SVHC must be applied to both the product as a whole and simultaneously to each of the articles forming part of its composition. TE has evaluated this ruling based on the new ECHA "Guidance on requirements for substances in articles" (June 2017, version 4.0) and will be updating its statements accordingly.

### Compatible Parts



### Customers Also Bought





TE Part #7477570003  
[S02-10-R-9CS927](#)

## Documents

### CAD Files

[3D PDF](#)

3D

Customer View Model

[ENG\\_CVM\\_CVM\\_8-1617805-8\\_C.2d\\_dxf.zip](#)

English

Customer View Model

[ENG\\_CVM\\_CVM\\_8-1617805-8\\_C.3d\\_igs.zip](#)

English

Customer View Model

[ENG\\_CVM\\_CVM\\_8-1617805-8\\_C.3d\\_stp.zip](#)

English

By downloading the CAD file I accept and agree to the [Terms and Conditions](#) of use.

### Datasheets & Catalog Pages

[High\\_Performance\\_Relays\\_Section5](#)

English

[relays\\_brochure](#)

English