

THIS DRAWING IS UNPUBLISHED-

RELEASED FOR PUBLICATION

2002

LOC

DIST

REVISIONS

© COPYRIGHT 2002 Tyco Electronics AMP GmbH

ALL RIGHTS RESERVED.

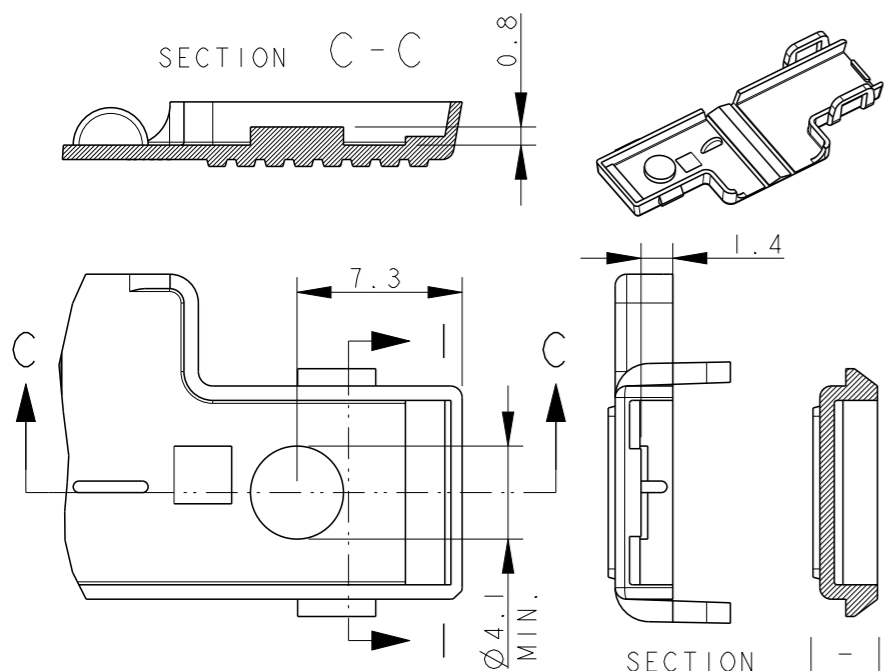
IR

-

P	LTR	DESCRIPTION	DATE	DWN	APVD
AZ6		REVISED PER ECN-22-146302	29MAR2022	WLS	ZC
AZ7		REVISED PER ECR-23-168067	21JUN2023	GK	RE
AZ8		REVISED PER ECR-25-249783	14JUL2025	BN	RE
AZ9		REVISED PER ECR-25-254212	24NOV2025	BN	SJ

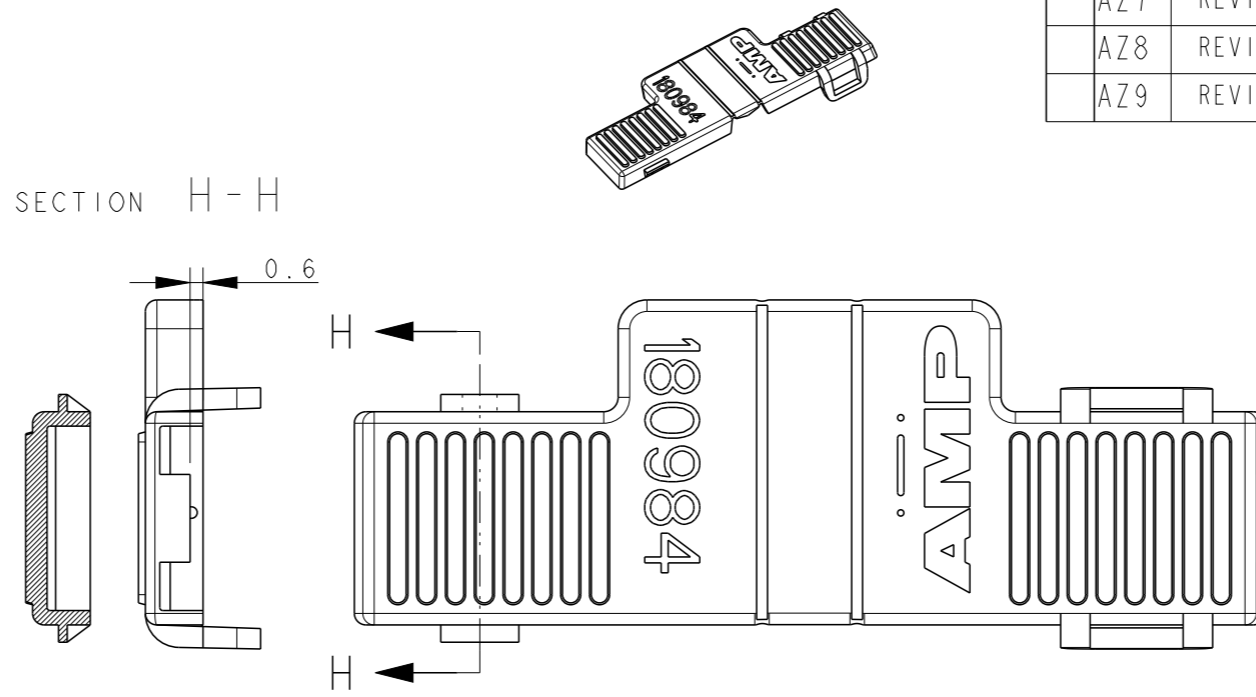
TE AMP DO BRASIL VARIATION

P/N.s INVOLVED:
 1-180984-0
 1-180984-1
 1-180984-2



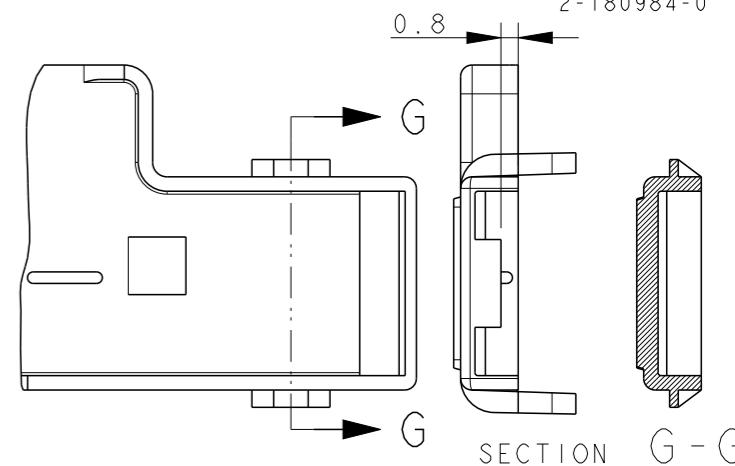
TE AMP SPAIN VARIATION

P/N.s INVOLVED:
 7-180984-0
 7-180984-5



TE AMP GERMANY VARIATION

P/N.s INVOLVED:
 0-180984-0
 0-180984-1
 0-180984-5
 2-180984-0



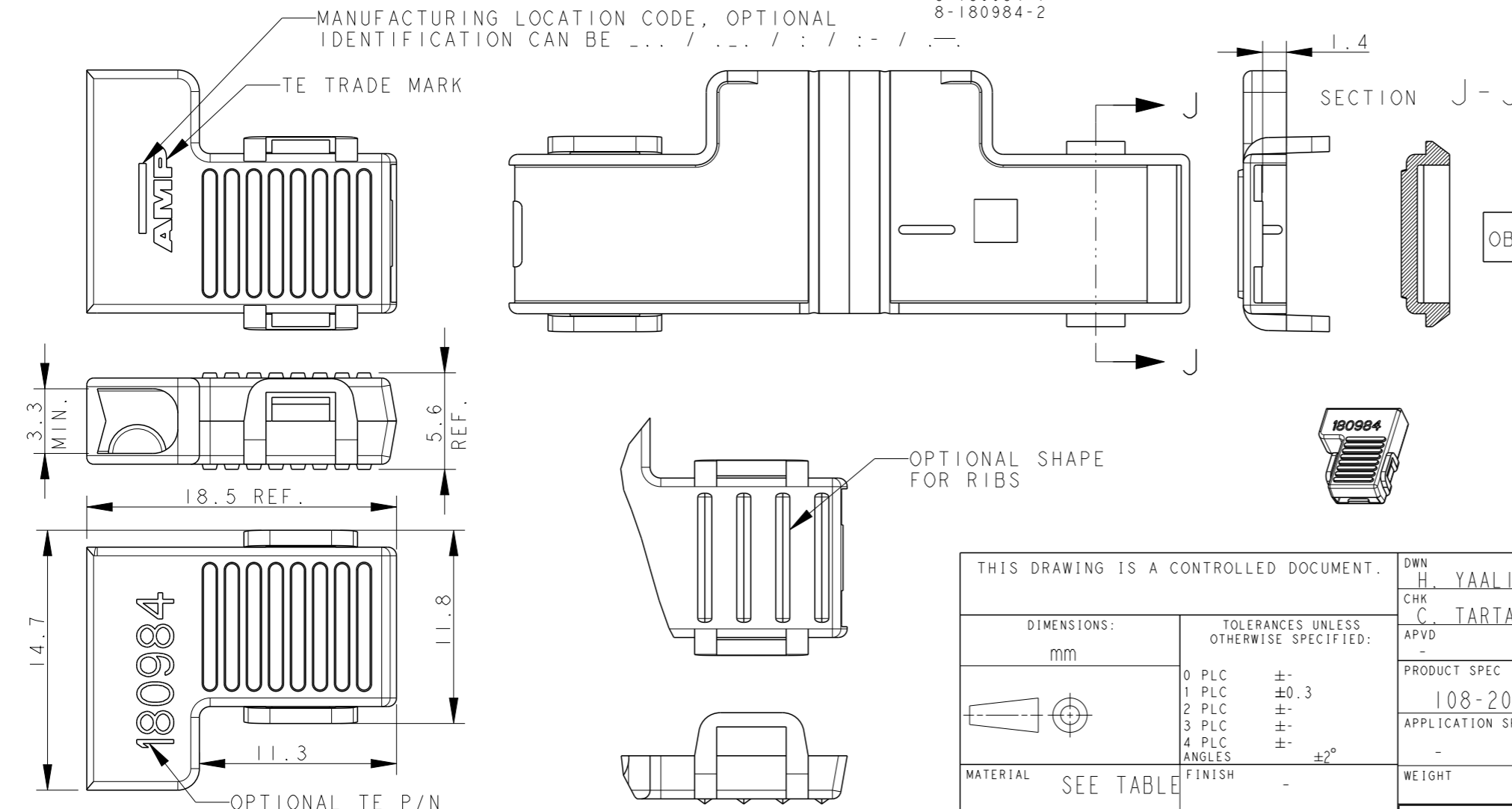
STANDARD VERSION AND TE AMP ITALY PRODUCTION

P/N INVOLVED:
 8-180984-0
 8-180984-1
 8-180984-2

1) ADATTO PER TERMINALI FEMMINA FLAG FASTON 6.3 mm sr.
 Es.: P/N.s 180464-..., 280050-..., 282181-..., 282184-...
 (SUITABLE FOR FLAG FASTON .250" sr., RECEPTACLE CONTACTS
 Ex.: P/N.s 180464-..., 280050-..., 282181-..., 282184-...)

2) CONDIZIONE DI FORNITURA (SUPPLY CONDITION)

3) PRODUCT IN ACCORDANCE TO IEC 60335-1 NORM.



OBSOLETE	3	NATURALE (NATURAL)	PA 6 UNFILLED UL94-V2	8-180984-2
		NERO (BLACK)	PA 6.6 UL 94-V0	8-180984-1
		NATURALE (NATURAL)	PA 6.6 UNFILLED (UL 94-V2)	8-180984-0
		NERO (BLACK)	PA 6.6	7-180984-5
		NATURALE (NATURAL)	PA 6.6 UNFILLED (UL 94-V2)	7-180984-0
		NATURALE (NATURAL)	PA 6.6	2-180984-0
		NERO (BLACK)	PA 6.6 UNFILLED (UL 94-V2)	1-180984-2
		ROSSO (RED)	PA 6.6 UNFILLED (UL 94-V2)	1-180984-1
		NATURALE (NATURAL)	PA 6.6 UNFILLED (UL 94-V2)	1-180984-0
		NERO (BLACK)	PA 6.6 UNFILLED (UL 94-V2)	0-180984-5
		ROSSO (RED)	PA 6.6 UNFILLED (UL 94-V2)	0-180984-1
		NATURALE (NATURAL)	PA 6.6 UNFILLED (UL 94-V2)	0-180984-0
NOTE		COLORE (COLOUR)	MATERIALE (MATERIAL)	NUMERO (P/N)

THIS DRAWING IS A CONTROLLED DOCUMENT.

DWN H. YAALI 18SEP2002
 CHK C. TARTARI
 APVD -
 PRODUCT SPEC 108-20109
 APPLICATION SPEC -
 WEIGHT -

TE TE Connectivity

NAME FLAG FASTON BOOT .250 SERIES

SIZE A3 CAGE CODE 300779 DRAWING NO C-180984 RESTRICTED TO

CUSTOMER DRAWING SCALE 3:1 SHEET 1 OF 1 REV AZ9