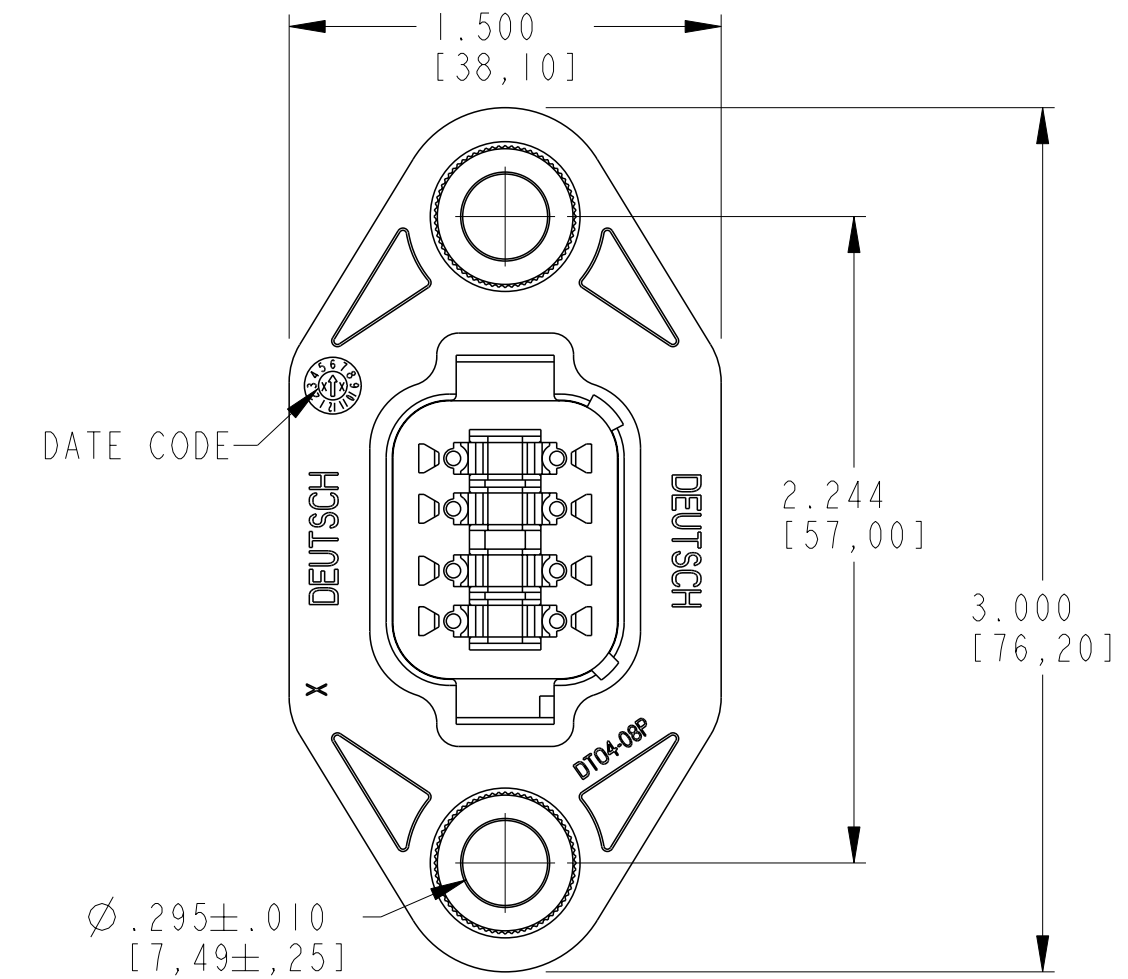
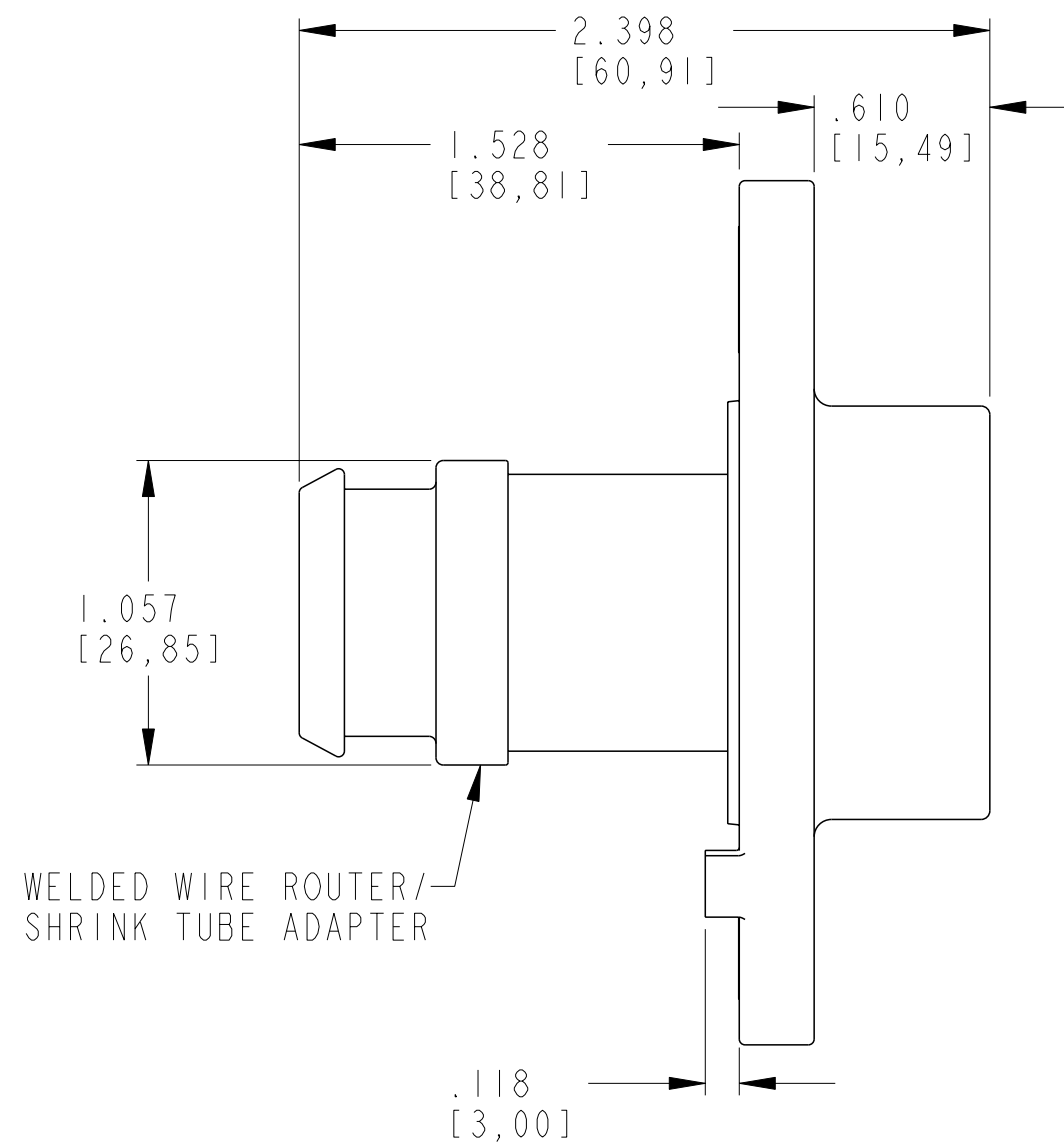
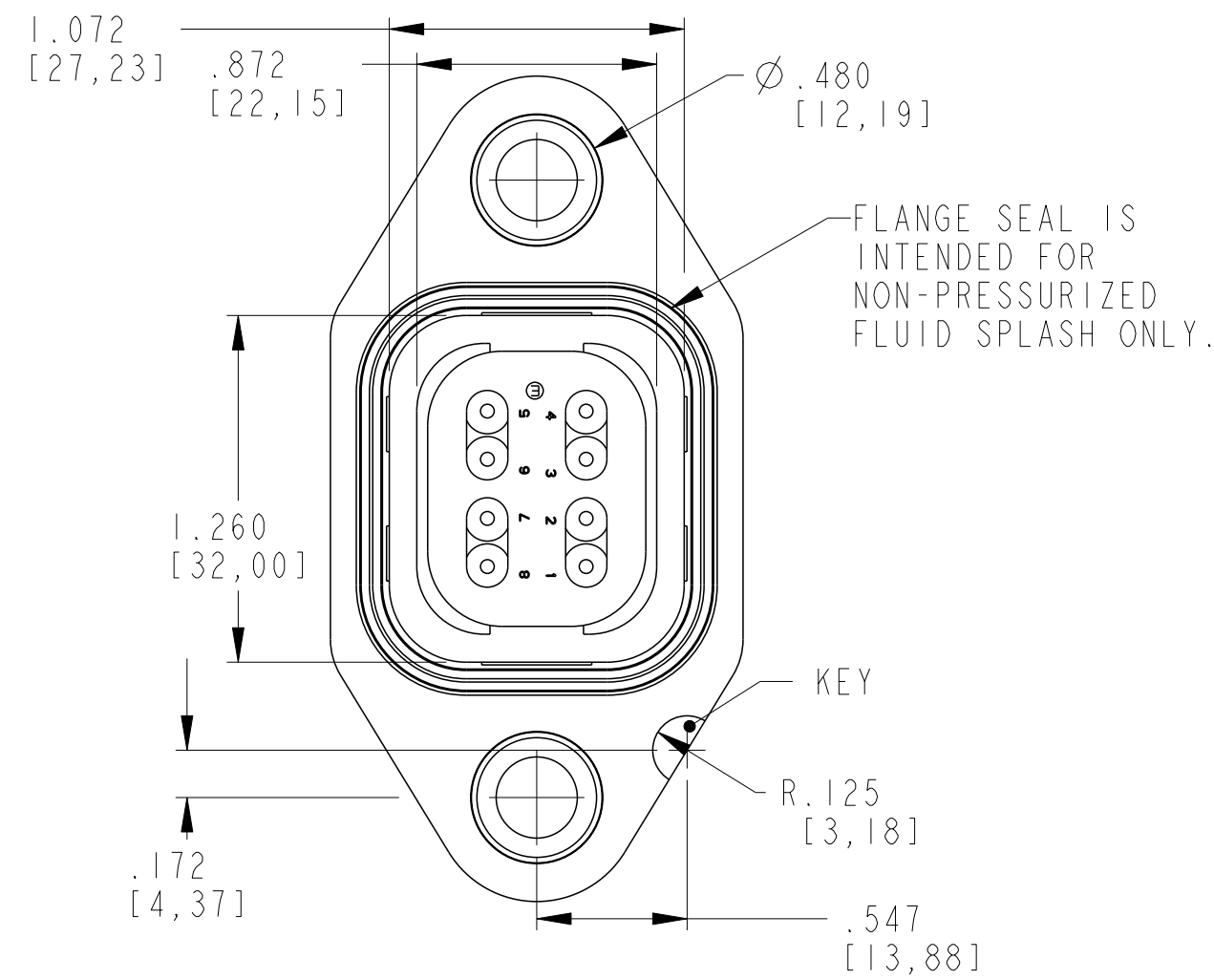
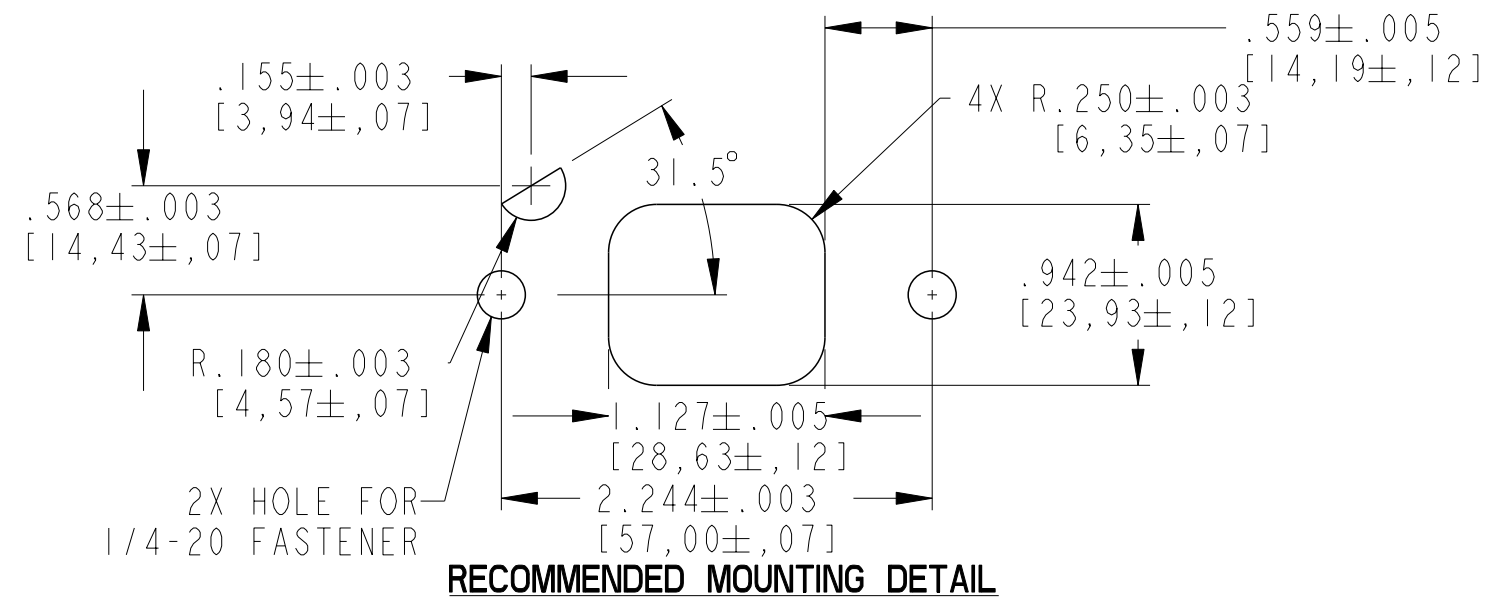


| REVISIONS |     |                           |           |     |      |
|-----------|-----|---------------------------|-----------|-----|------|
| P         | LTR | DESCRIPTION               | DATE      | DWN | APVD |
| D         |     | RELEASE PER E.O. P20553   | 07/21/10  | -   | RDR  |
| E         |     | REVISED PER E.O. P20766   | 01/21/11  | -   | RDR  |
| F         |     | REVISED PER PCN-23-192205 | 05FEB2024 | RK  | CB   |
| FI        |     | REVISED PER PCN-24-225053 | 01OCT2024 | RK  | CB   |



| CONTACT SIZE | MIN. INSUL. O.D. | MAX. INSUL. O.D. | WIRE RANGE [mm <sup>2</sup> ] REF ONLY |
|--------------|------------------|------------------|--|
| 16           | .088 [2.23]      | .145 [3.68]      | 14-20 AWG (2.0-0.5)                    |

- 3 MATERIAL: SHELL: PA66 GF15 (GRAY)  
WELD CAP: PA66 GF15 (BLACK)  
GROMMET: VMO (RED-ORANGE)  
INSERTS: STAINLESS STEEL

2. THIS RECEPTACLE MATES WITH THE DT06-08SA-XXXX PLUG. (XXXX ALL MODIFICATIONS). CONSULT FACTORY FOR MODIFICATIONS.

- 1 FOR CONTACTS AND WIRE PERFORMANCE AND APPLICATION CHARACTERISTICS SEE ENVELOPE DRAWING 0425-015-0000 AND 0425-017-0000.

|  |  |                                |   |                              |
|--|--|--------------------------------|---|------------------------------|
| THIS DRAWING IS A CONTROLLED DOCUMENT.                         |  | DWN<br>S. THEIS 10/9/98        | TE Connectivity   |                              |
| DIMENSIONS:<br>IN [mm]   |  | CHK<br>- 1/27/2011             |   |                              |
| TOLERANCES UNLESS OTHERWISE SPECIFIED:                         |  | APVD<br>- 1/14/11              | NAME<br>8 WAY RECEPTACLE FLANGED CONNECTOR -LE03 MOD, DT SERIES |                              |
| 0 PLC ±<br>1 PLC ±<br>2 PLC ±<br>3 PLC ±.025 [0.64]<br>4 PLC ± |  | PRODUCT SPEC<br>108-151009     | SIZE<br>A2  |                              |
| ANGLES ±<br>FINISH -   |  | APPLICATION SPEC<br>114-151009 | CAGE CODE<br>00779  | DRAWING NO<br>DT04-08PA-LE03 |
| MATERIAL<br>3  |  | WEIGHT<br>41g                  | RESTRICTED TO<br>-  | SCALE<br>1.5:                |
|  |  | CUSTOMER DRAWING               | SHEET<br>1  | OF<br>1                      |
|  |  |                                | REV<br>FI   |                              |