

4

3

2

1

THIS DRAWING IS UNPUBLISHED.

RELEASED FOR PUBLICATION

20

© COPYRIGHT 2025

TE Connectivity. All Rights Reserved. ALL RIGHTS RESERVED.

REVISIONS

P	LTR	DESCRIPTION	DATE	DWN	APVD
B1		REVISED PER PCN E-17-017147	16NOV2017	SS	DM
B2		REVISED PER PCN-25-247964	20JAN2025	SN	CB
C		REVISED PER PCN-25-253066	27JUN2025	UBF	CB

3-DIMENSIONAL VIEW

CONTACT SIZE	MIN. INSUL O.D.	MAX. INSUL O.D.	WIRE RANGE [mm <sup>2</sup> ]
16	.088 [2.23]	.145 [3.68]	14-20 AWG [2.5-0.5]

1.772 [45.01]

.945 [24.00]

WELD CAP

RECEPTACLE HOUSING

FLANGE

DATE CODES

Ø.170 HOLE THRU [4.32]

1.858 [47.19]

.859 [21.82]

.853 [21.67]

1.000 [25.40]

1.398 [35.51]

2.165 [54.99]

TEXT ORIENTATION OPTIONAL

WELD CAP

RECEPTACLE HOUSING

FLANGE

DATE CODES

Ø.170 HOLE THRU [4.32]

-DATE CODE-

MONTH IS REPRESENTED BY SEQUENTIAL ALPHA CHARACTERS.

EX: A=JANUARY

YEAR IS REPRESENTED BY LAST DIGIT. EX: I=2021.

3. MATERIAL: HOUSING, CAP, FLANGE: PA66 GF15 (BLACK)  
GROMMET: VMQ (RED-ORANGE)

2. THIS RECEPTACLE MATES WITH DT06-08SA-XXXX  
(XXXX = ALL MODIFICATIONS).  
CONSULT FACTORY FOR MODIFICATIONS.

1. FOR CONTACTS AND WIRE PERFORMANCE AND APPLICATION CHARACTERISTICS  
SEE ENVELOPE DRAWING 0425-015-0000.

NOTES:

THIS DRAWING IS A CONTROLLED DOCUMENT.

DWN S. THE IS 30MAY2025

CHK I. GRANTCHAROVA 13JUN2008

APVD S. BEARD 11JUN2008

PRODUCT SPEC

108-151009

APPLICATION SPEC

114-151009

WEIGHT 24.67 G

CUSTOMER DRAWING

DIMENSIONS:  
INCHES [MM]TOLERANCES UNLESS  
OTHERWISE SPECIFIED:

0 PLC	±-
1 PLC	±-
2 PLC	±-
3 PLC	±.025[0.64]
4 PLC	±-
ANGLES	±-
FINISH	-

MATERIAL

TE INTERNAL PN

DEUTSCH PN

DT04-08PA-LE11

DT04-08PA-LE11

TE Connectivity

NAME  
8 WAY REC W/FLANGE AND WELD CAP  
-A- KEY  
DT SERIES

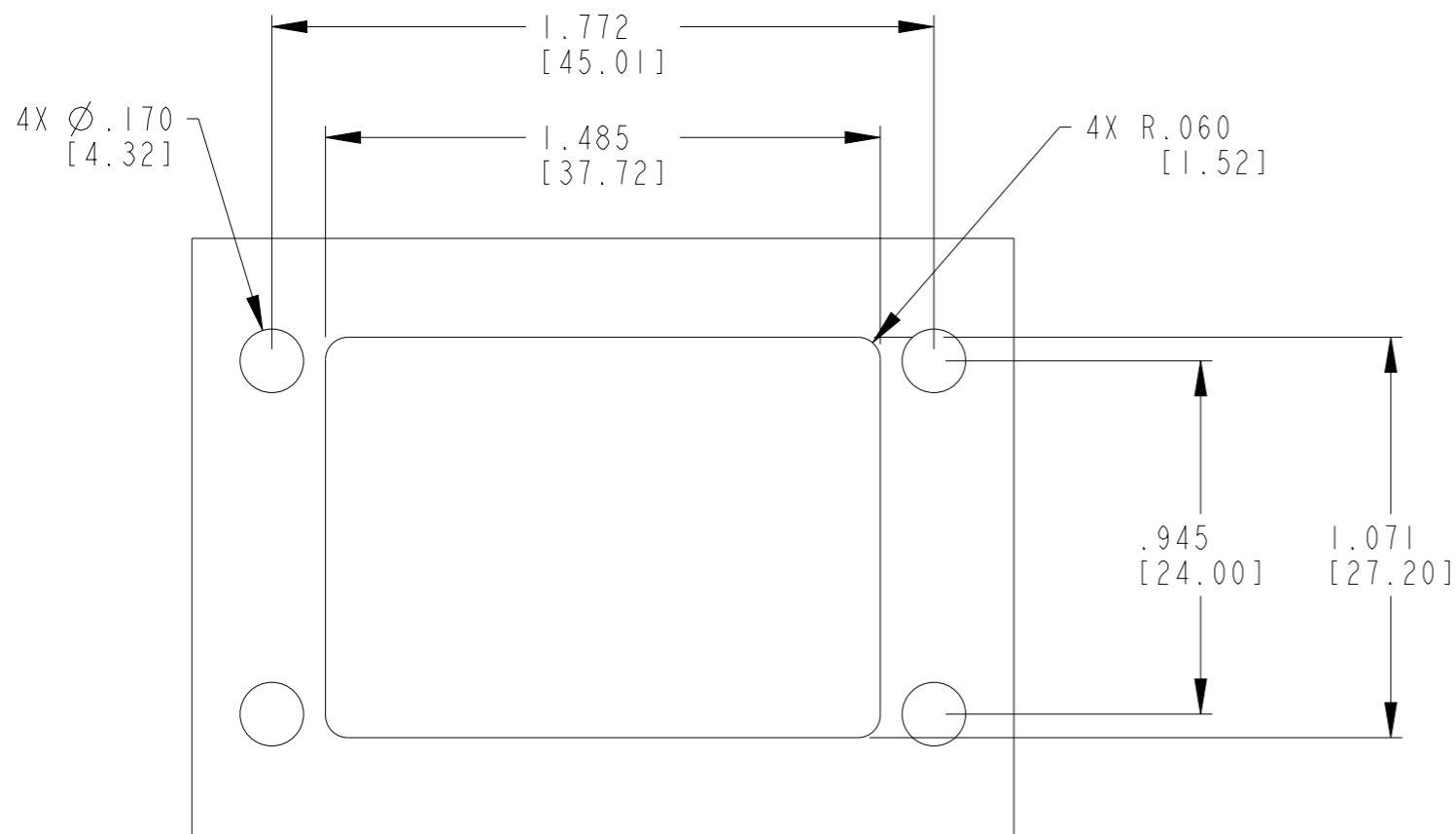
SIZE	CAGE CODE	DRAWING NO	RESTRICTED TO
A3	00779	DT04-08PA-LE11	-

SCALE	SHEET	OF	REV
2:1	1	2	C

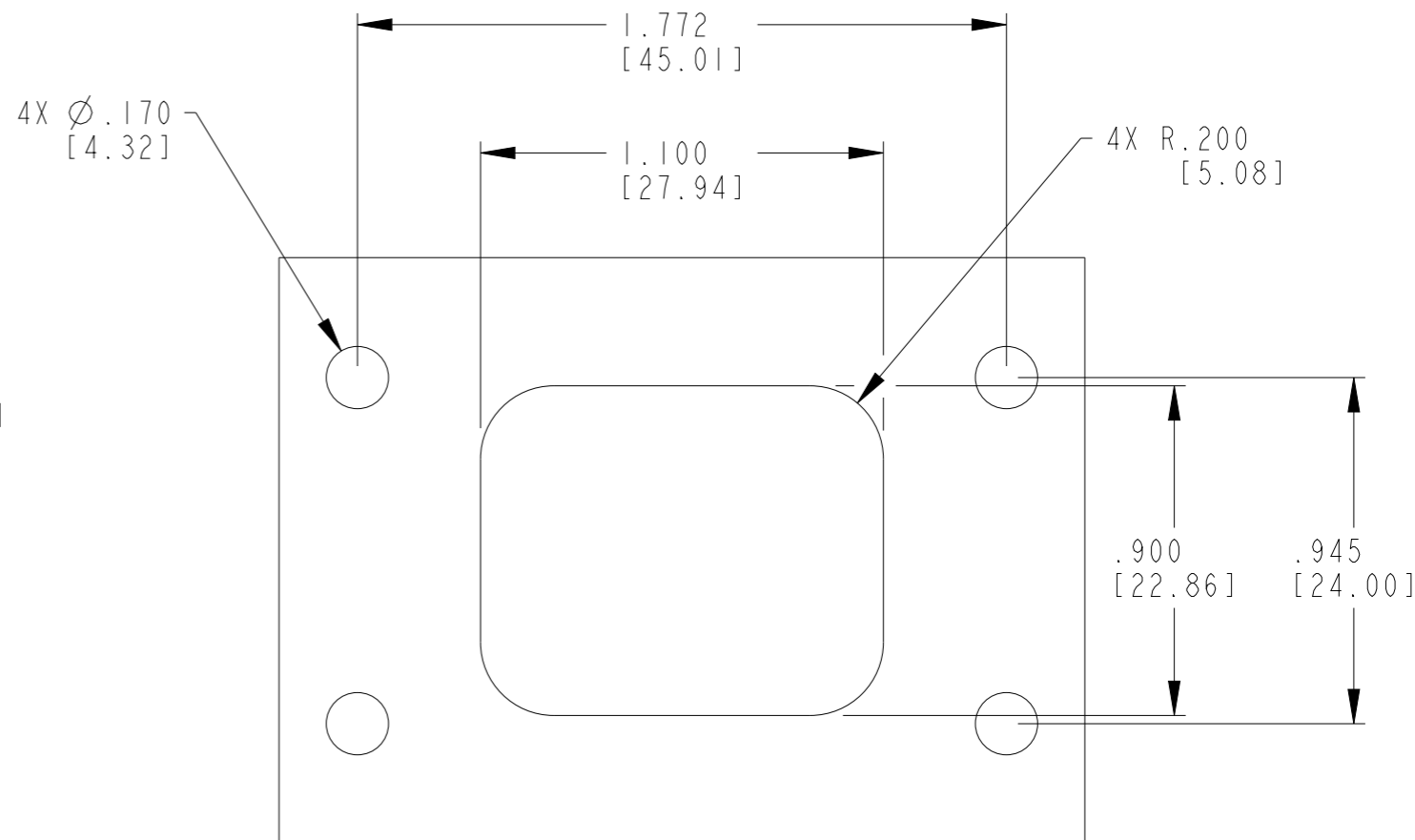
1470-19 (3/13)

REVISIONS

P	LTR	DESCRIPTION	DATE	DWN	APVD
-	-	SEE SHEET 1	-	-	-

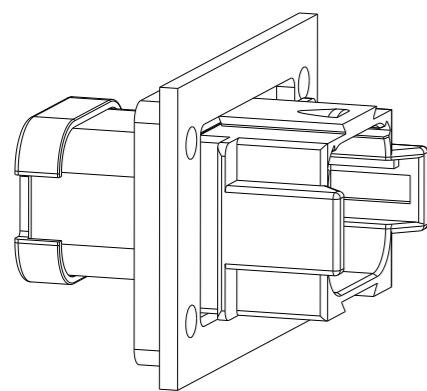


RECOMENDED PANEL CUTOUT FRONT

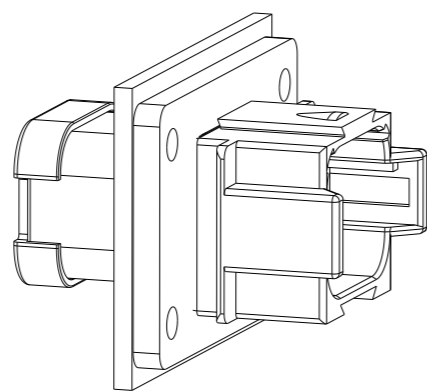


RECOMENDED PANEL CUTOUT REAR

FOR REFERENCE ONLY



FRONT MOUNT



REAR MOUNT

THIS DRAWING IS A CONTROLLED DOCUMENT.

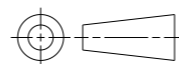
DWN	S.THEIS	30MAY2025
CHK	I.GRANTCHAROVA	13JUN2008
APVD	S.BEARD	11JUN2008



DIMENSIONS:  
INCHES [MM]

TOLERANCES UNLESS OTHERWISE SPECIFIED:

0 PLC	±-
1 PLC	±-
2 PLC	±-
3 PLC	±.025[0.64]
4 PLC	±-
ANGLES	±-



MATERIAL

FINISH

PRODUCT SPEC	108-151009
APPLICATION SPEC	114-151009
WEIGHT	24.67 G

NAME  
8 WAY REC W/FLANGE AND WELD CAP  
-A- KEY, E SEAL  
DT SERIES

SIZE	CAGE CODE	DRAWING NO	RESTRICTED TO
A3	00779	DT04-08PA-LE11	-

CUSTOMER DRAWING	SCALE 2:1	SHEET 2 OF 2	REV C
------------------	-----------	--------------	-------