

| REVISIONS | | | | | |
|-----------|-----|---------------------------|-----------|-----|------|
| P | LTN | DESCRIPTION | DATE | OWN | APVD |
| B | | REVISED PER PCN-23-192205 | 05FEB2024 | RK | CB |
| B1 | | REVISED PER PCN-24-220935 | 17SEP2024 | PS | CB |
| B2 | | REVISED PER PCN-25-247964 | 19JUN2025 | AJ | MB |
| B3 | | REVISED PER PCN-25-254987 | 08SEP2025 | AP | AJ |

FIGURE 1

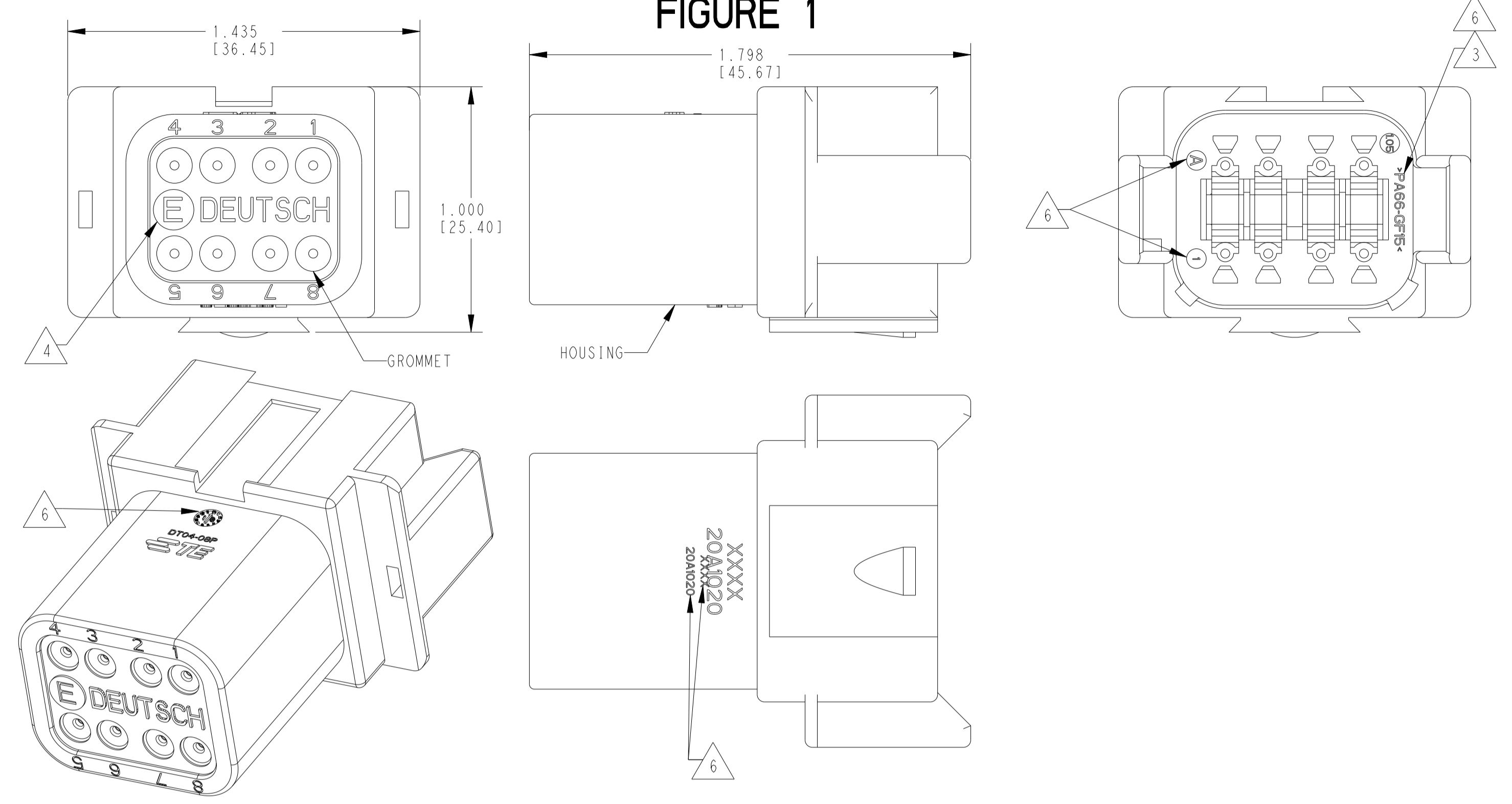


FIGURE 2 SHORT CAP

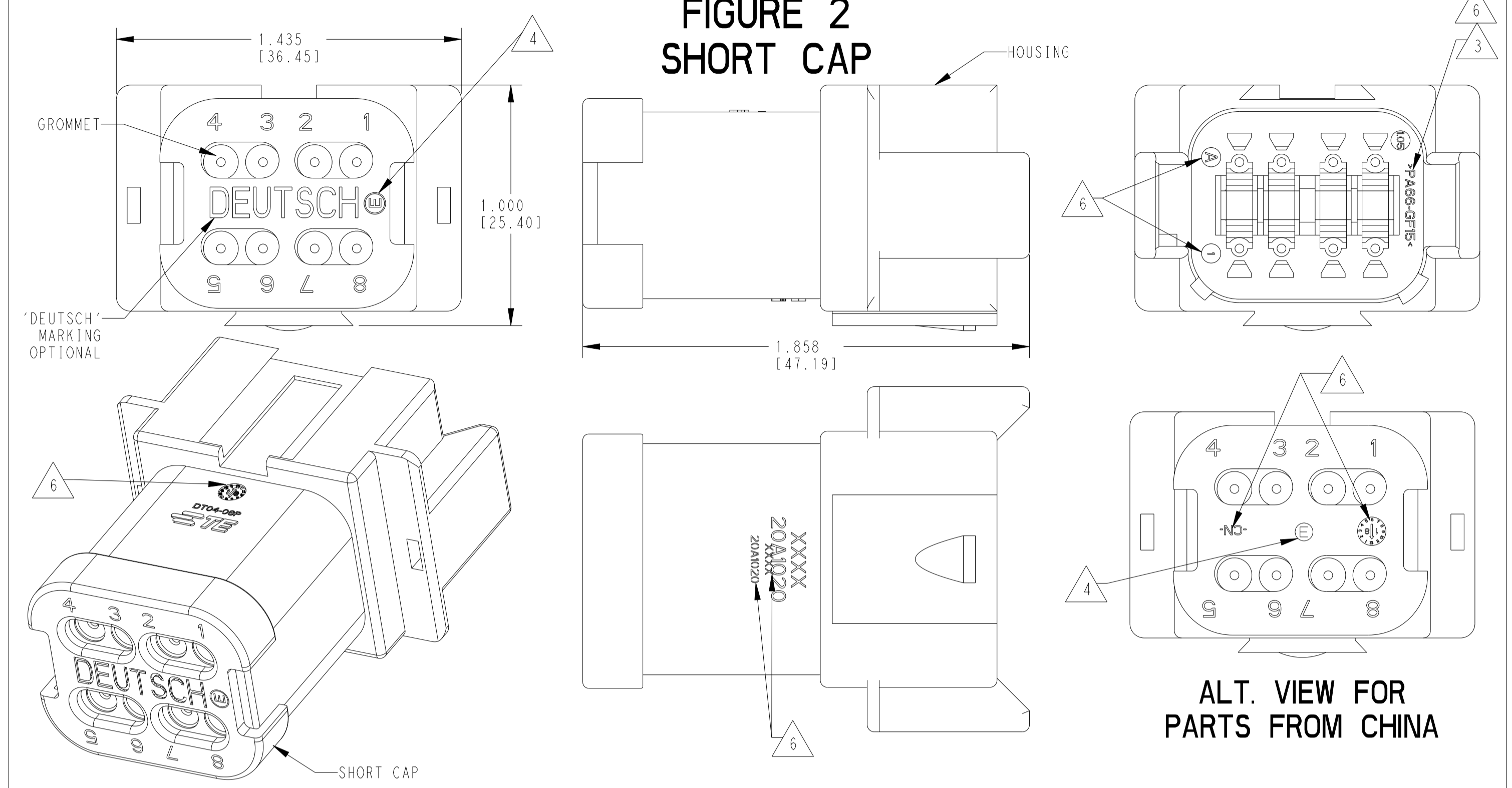
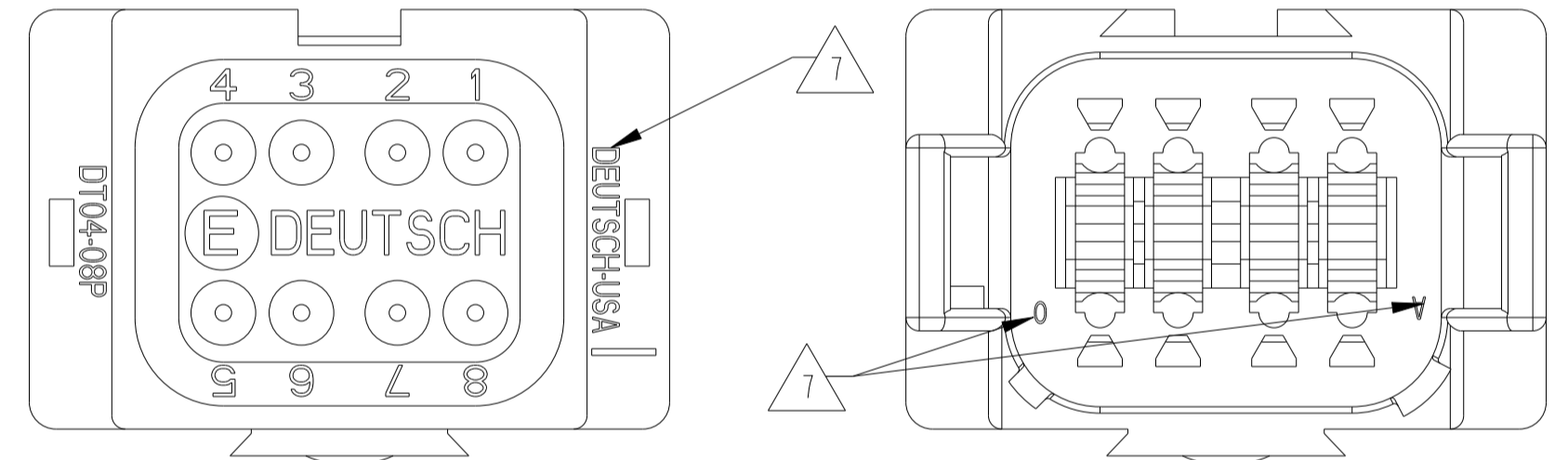
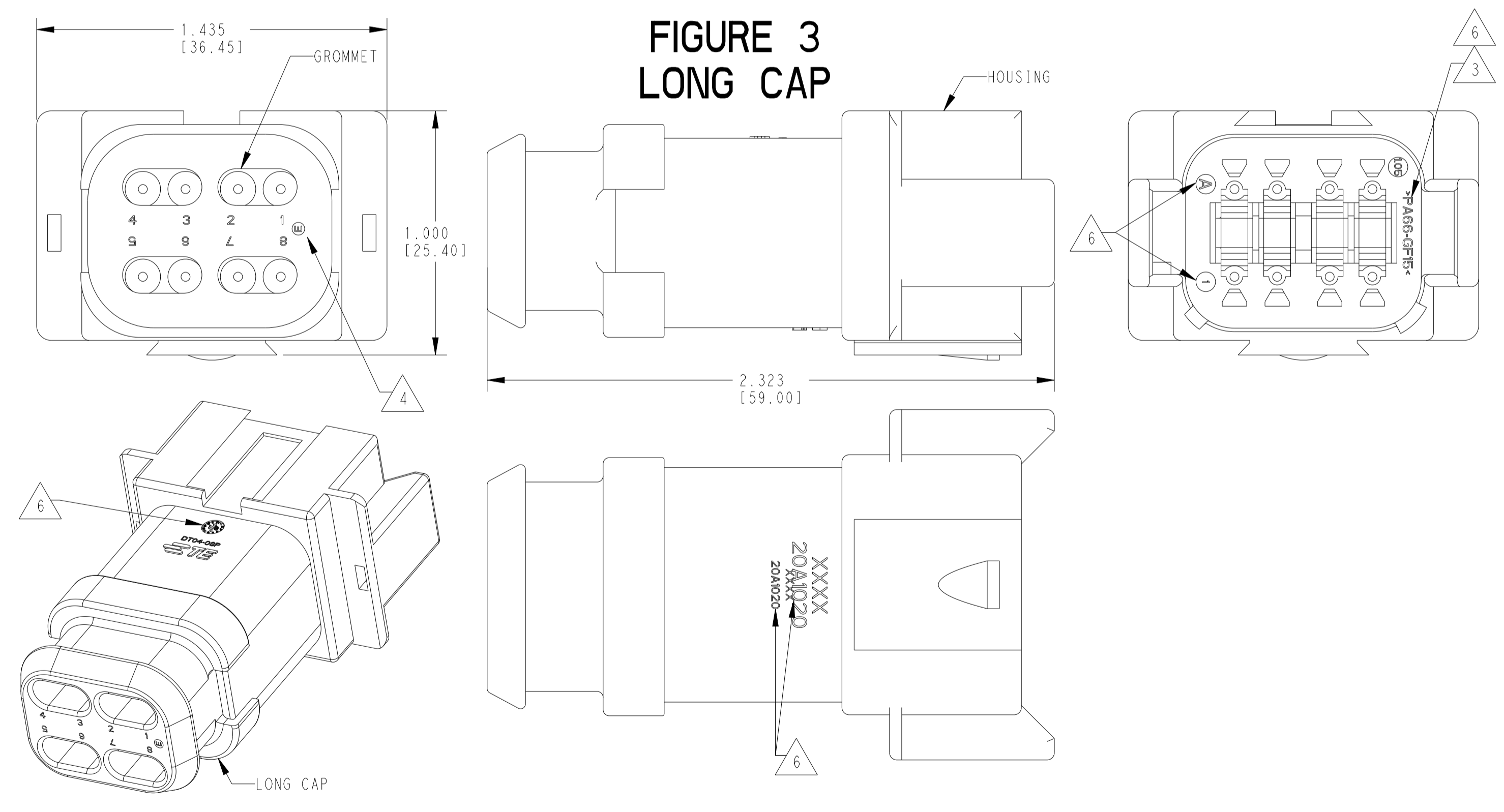


FIGURE 3 LONG CAP



ALT. VIEWS FOR PARTS FROM NA

| CONTACT SIZE | WIRE RANGE | INSULATION OD SEALING RANGE | SEAL IDENTIFICATION |
|--------------|--|-----------------------------|---------------------------|
| 16 | 12-20 AWG [2.5-0.5mm ²] | .088-.145 [2.23-3.68] | STANDARD SEAL |
| | | .053-.120 [1.35-3.05] | EXTRA THIN SEAL E-SEAL |

| TE INTERNAL PART NUMBER | DEUTSCH PART NUMBER | PN REV | HOUSING COLOR | STANDARD SEAL | EXTRA THIN SEAL E-SEAL | BLOCKED SEAL | SHORT CAP | LONG CAP | FIGURE |
|-------------------------|---------------------|--------|---------------|---------------|------------------------|--------------|-----------|----------|--------|
| DT04-08PX | DT04-08PX | A | ALL | X | | | | | 1 |
| DT04-08PX-C015 | DT04-08PX-C015 | F | ALL | | X | | | | 1 |
| DT04-08PX-C017 | DT04-08PX-C017 | B | ALL | | | X | X | | 2 |
| DT04-08PX-CE01 | DT04-08PX-CE01 | D | ALL | | X | | X | | 2 |
| DT04-08PA-CE02 | DT04-08PA-CE02 | B | BLACK | | X | | | | 1 |
| DT04-08PA-CE03 | DT04-08PA-CE03 | B | BLACK | | X | | X | | 2 |
| DT04-08PA-CE04 | DT04-08PA-CE04 | C | GRAY | | X | | | X | 3 |
| DT04-08PA-CE09 | DT04-08PA-CE09 | AC | BLACK | | X | | | X | 3 |
| DT04-08PA-CE26 | DT04-08PA-CE26 | A | BLACK | | | X | X | | 2 |
| DT04-08PX-E003 | DT04-08PX-E003 | B | ALL | X | | | X | | 2 |
| DT04-08PA-E004 | DT04-08PA-E004 | A | BLACK | X | | | | | 1 |
| DT04-08PA-E005 | DT04-08PA-E005 | A | BLACK | X | | | X | | 2 |
| DT04-08PX-E008 | DT04-08PX-E008 | B | ALL | X | | | | X | 3 |
| DT04-08PA-EE01 | DT04-08PA-EE01 | A | BLACK | X | | | | X | 3 |
| DT04-08PX-EP04 | DT04-08PX-EP04 | D | ALL | X | | | X | | 2 |
| DT04-08PX-P004 | DT04-08PX-P004 | C | ALL | X | | | | | 1 |

- 5. FOR CONTACT AND WIRE PERFORMANCE AND APPLICATION CHARACTERISTICS SEE CUSTOMER DRAWING 0425-015-0000.
- 4. "E" IDENTIFIES E-SEAL, LOCATED APPROX. AS SHOWN.
- 3. MATERIAL: HOUSING: PA66 GF15. SEE TABLE FOR COLOR SHORT, LONG CAP: PA66 GF15, BLACK GROMMET: E-SEAL VMO (BURNT RED) N-SEAL VMO (RED-ORANGE) BLOCKED VMO (RED-ORANGE)
- 2. THIS RECEPTACLE MATES WITH DT06-08SX-XXXX PLUG (X = A,B,C,D KEY, XXXX = ALL MODIFICATIONS)
- 1. SECONDARY WEDGE LOCK SOLD SEPARATELY: W8P-XXXX. (XXXX = ALL MODIFICATIONS)

- 6. MARKING FOR PARTS PRODUCED IN CHINA:
 - XXXX IDENTIFIES THE MODIFICATION NUMBER, IF APPLICABLE. EXAMPLE: "E003" FOR DT04-08PA-E003, OR BLANK FOR DT04-08PA
 - DATE CODE: IDENTIFIES THE YEAR, MONTH, DAY AND HOUR OF ASSEMBLY. YEAR: FIRST AND SECOND DIGIT. (17 = 2017) MONTH: THIRD DIGIT, EXCLUDING 1. A = JAN, B = FEB, C = MARCH ... (K = OCTOBER)
 - DAY: FOURTH AND FIFTH DIGITS (14 = 14th DAY) HOUR: SIXTH AND SEVENTH DIGITS (11 = 11AM)
 - DIAL DATE CODE LOCATED ON HOUSING AND/OR CAP.
 - CN LOCATED ON HOUSING AND/OR CAP.
 - MARKINGS MAY BE LOCATED ON EITHER THE FRONT OR BACK SURFACES.

- 9. BLOCKED SEALS ARE NOT SYMMETRICAL ON BOTH SIDES. ALTHOUGH THEY APPEAR VISUALLY DIFFERENT, EFFECTIVE SEALING IS ACHIEVED ON EITHER SIDE.
- 8. FOR ALL ID MARKINGS SURROUNDING THE PART, ORIENTATION IS SHOWN FOR REFERENCE ONLY AND DOES NOT AFFECT FUNCTIONALITY, PROVIDED THE MARKINGS ARE IN THE CORRECT POSITION. SIZE AND LOCATION ARE APPROXIMATE, AS SHOWN.

- 7. MARKING FOR PARTS PRODUCED IN US:
 - DATE CODE: YEAR TO BE LAST NUMERICAL DIGIT, EX: 1 = 2021
 - MONTH USES SEQUENTIAL ALPHA CHARACTERS, EX: A = JANUARY
 - DEUTSCH

THIS DRAWING IS A CONTROLLED DOCUMENT.

| | | | |
|------------------------|---|--|---|
| DIMENSIONS: IN [mm] | TOLERANCES UNLESS OTHERWISE SPECIFIED: 0 PLC ± 1 PLC ± 2 PLC ± 3 PLC ±.025 (0.64) 4 PLC ± ANGLES ±30°/10° FINISH | OWN: A. POLO 16DEC2021 CHK: R. MESSENGER 16DEC2021 APVD: J. GRANICHAROVA 16DEC2021 PRODUCT SPEC 108-151009 APPLICATION SPEC 114-151009 | NAME: 8 WAY RECEPTACLE, STANDARD SEAL EXTRA THIN SEAL, SHORT AND LONG CAP, DT SERIES SIZE: 4FU8 CAGE CODE: DT04-08PX-XXXX RESTRICTED TO: - |
|------------------------|---|--|---|

CUSTOMER DRAWING SCALE: 5:2 SHEET 1 OF 2 REV: B3

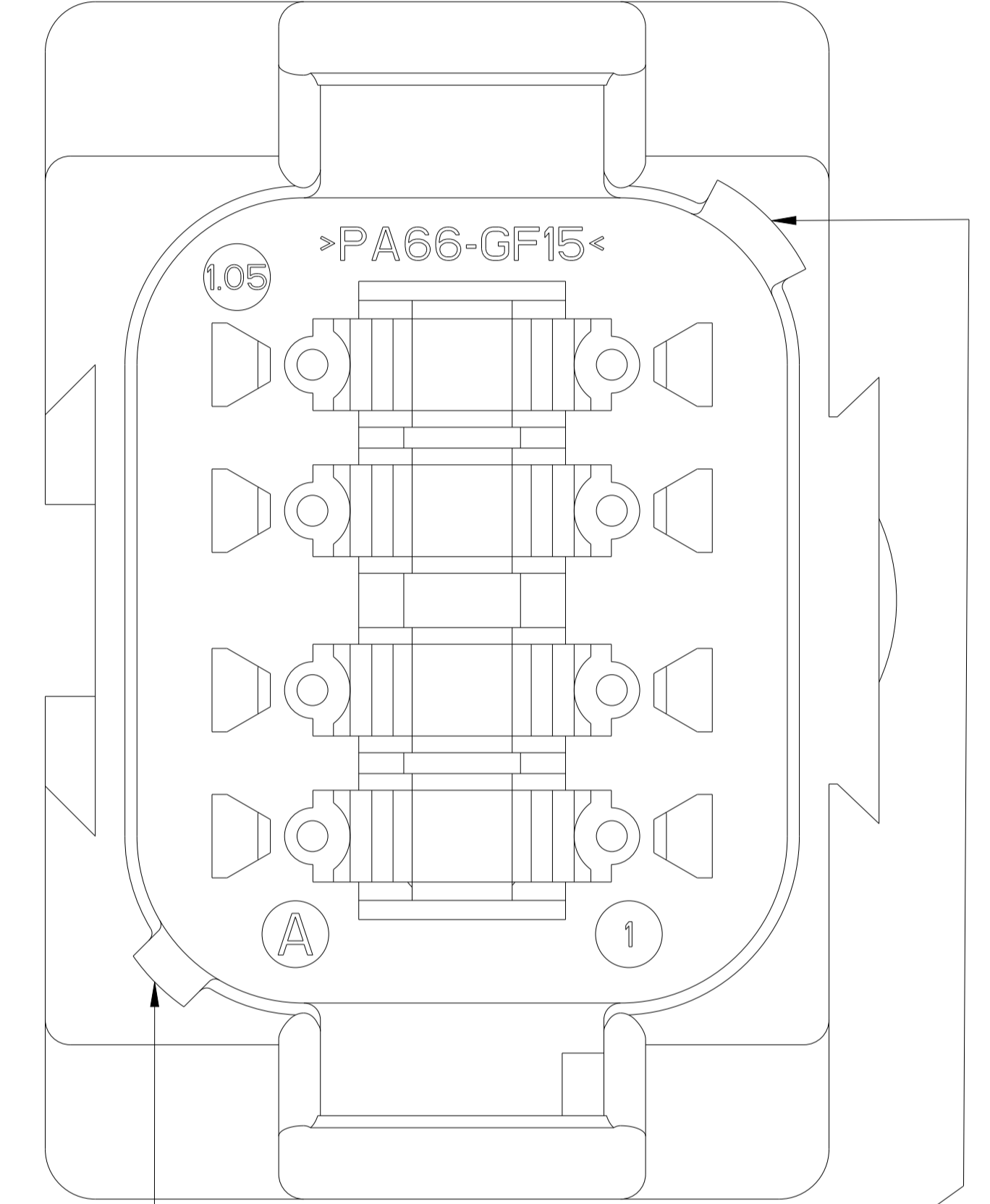
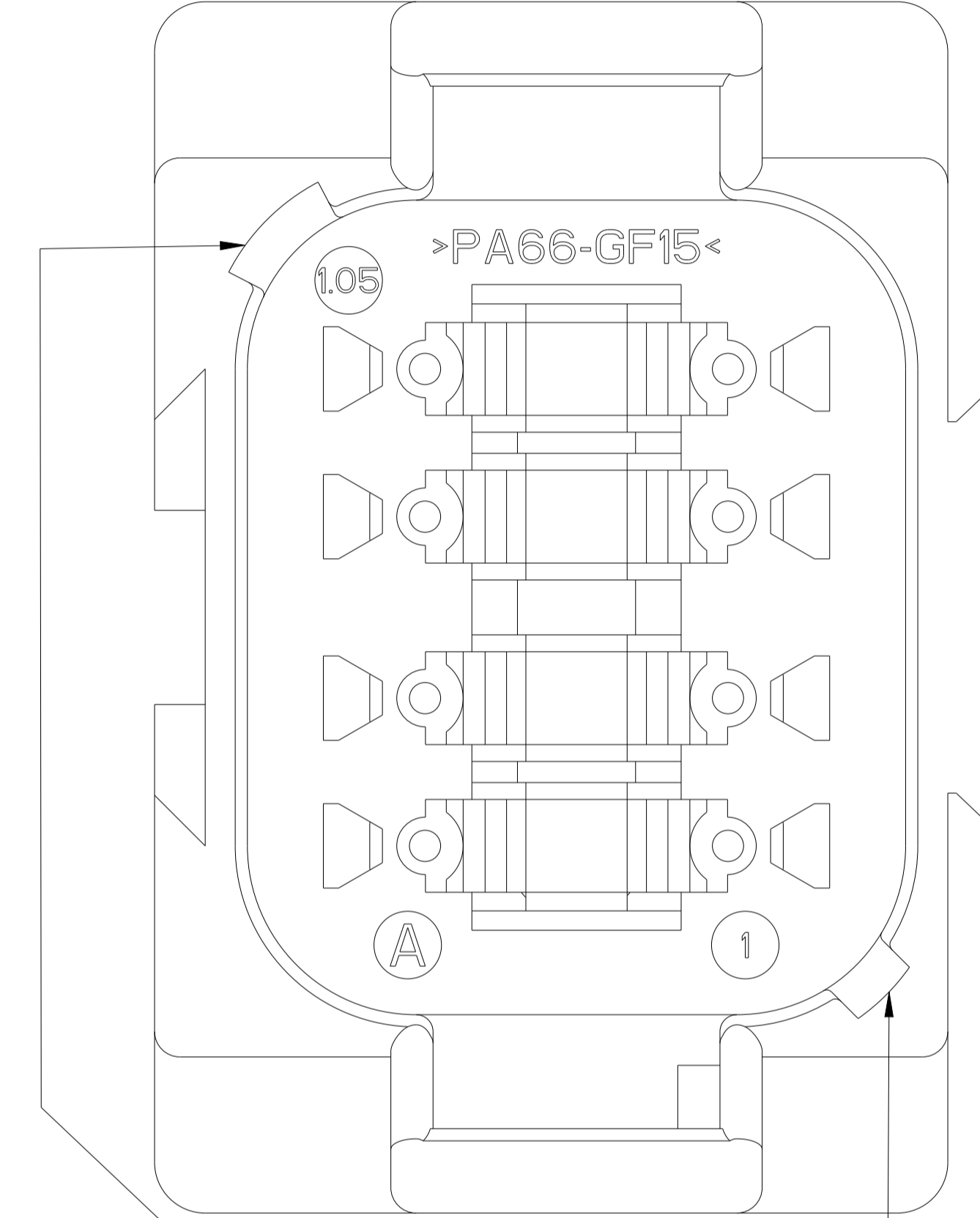
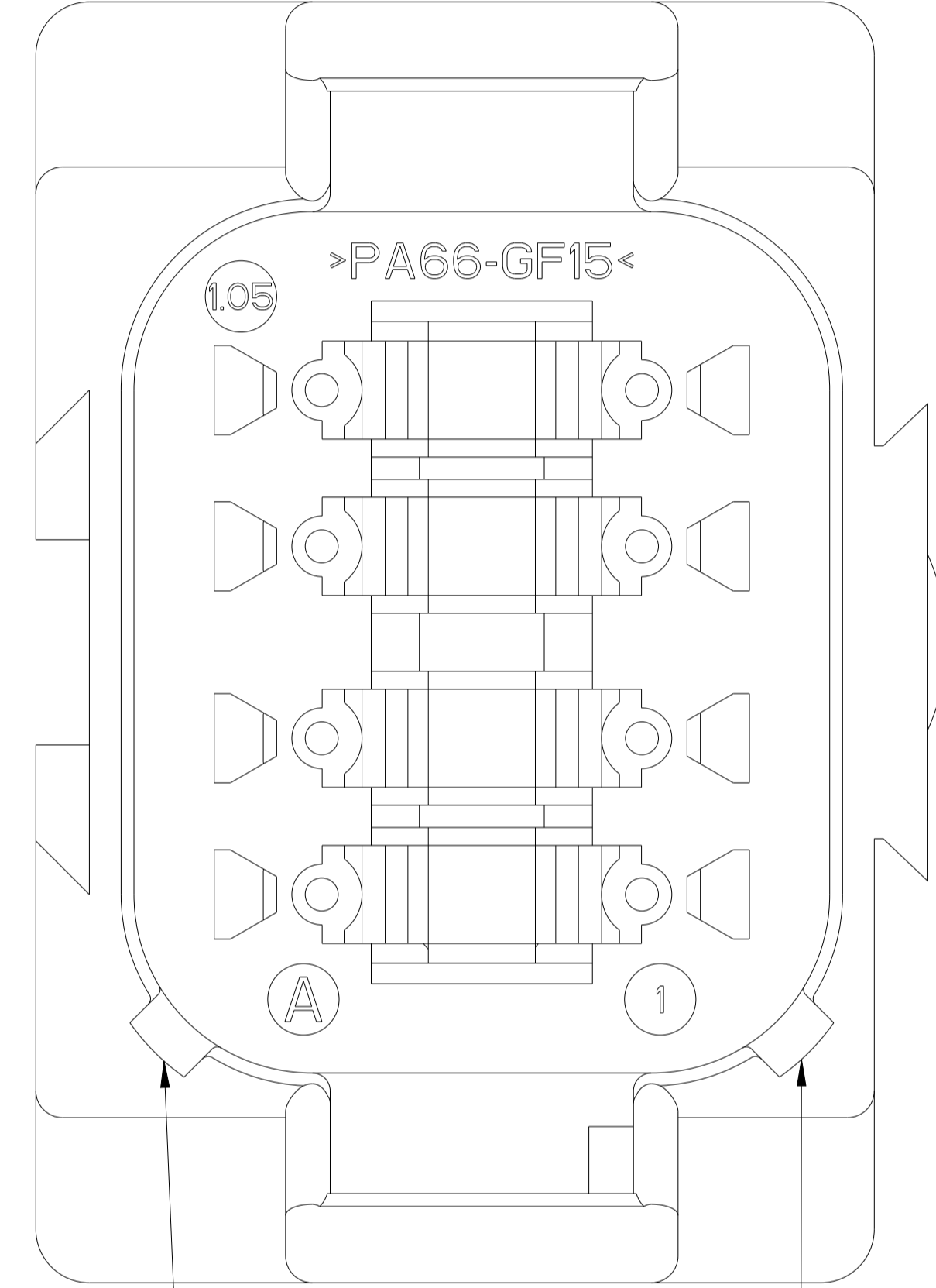
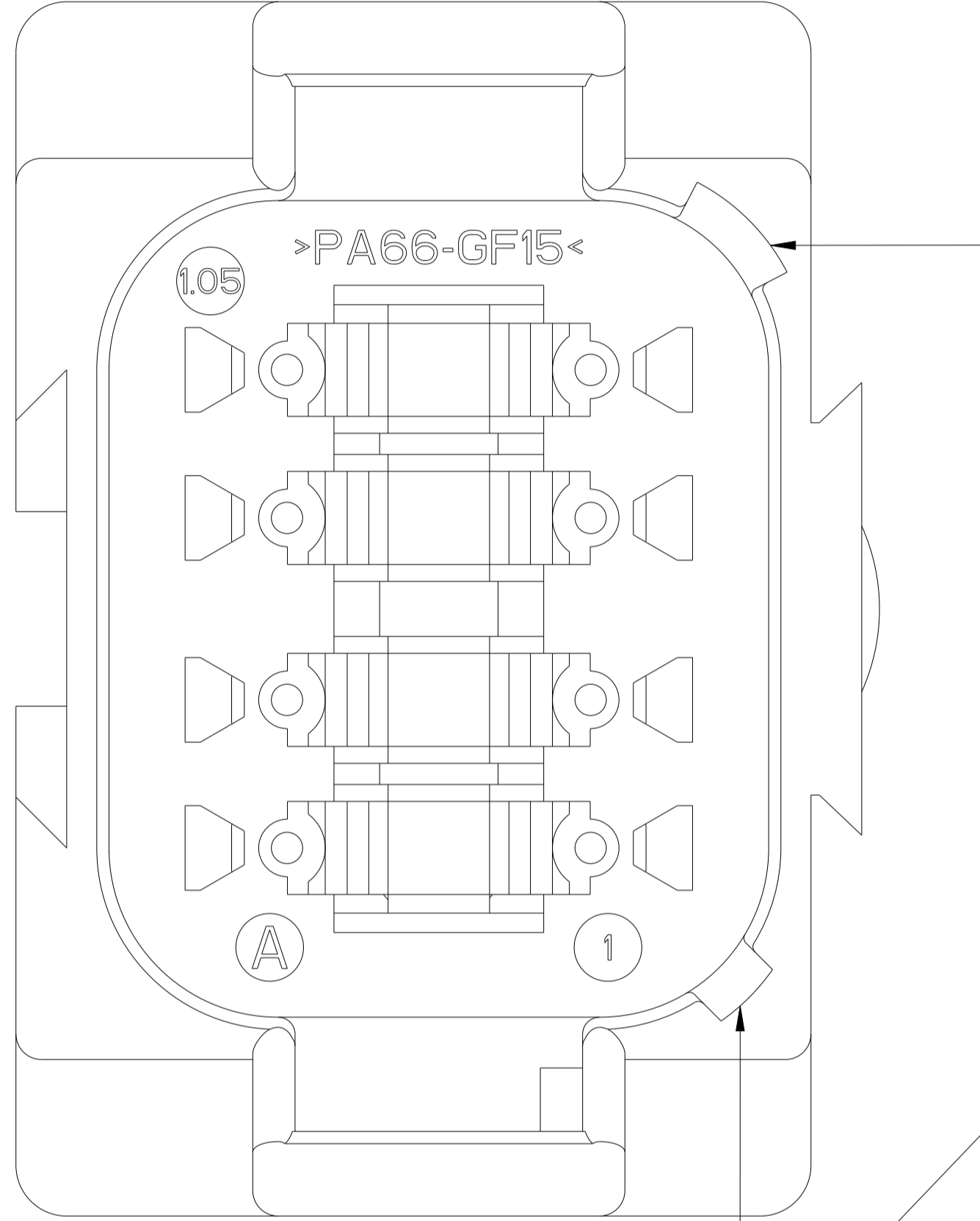
| REVISIONS | | | | |
|-----------|-----|-------------|------|------|
| P | LTN | DESCRIPTION | DATE | APVD |
| - | | SEE SHEET 1 | - | - |
| | | | | |
| | | | | |

DT04-08PA-XXXX
 KEY -A-
 HOUSING COLOR: GRAY
 SEE PN TABLE FOR BLACK PNs

DT04-08PB-XXXX
 KEY -B-
 HOUSING COLOR: BLACK

DT04-08PC-XXXX
 KEY -C-
 HOUSING COLOR: GREEN

DT04-08PD-XXXX
 KEY -D-
 HOUSING COLOR: BROWN



KEY -A-

KEY -B-

KEY -C-

KEY -D-

| | | | |
|--|--|---------------------------------|---|
| THIS DRAWING IS A CONTROLLED DOCUMENT. | | DWN: A. POLO 16DEC2021 | |
| | | CHK: R. MESSENGER 16DEC2021 | |
| DIMENSIONS: | TOLERANCES UNLESS OTHERWISE SPECIFIED: | APVD: J. GRANICHAROVA 16DEC2021 | NAME: 8 WAY RECEPTACLE, STANDARD SEAL EXTRA THING SEAL, SHORT AND LONG CAP, DT SERIES |
| IN [mm] | 0 PLC ± | PRODUCT SPEC: 108-151009 | |
| | 1 PLC ± | APPLICATION SPEC: 114-151009 | SIZE: 4FU8 |
| | 2 PLC ± | ANGLES: ±0°30'0" | DRAWING NO: DT04-08PX-XXXX |
| | 3 PLC ± | FINISH: | RESTRICTED TO: - |
| MATERIAL: | | WEIGHT: | CUSTOMER DRAWING |
| | | | SCALE: 6:1 |
| | | | SHEET 2 OF 2 |
| | | | REV: B3 |