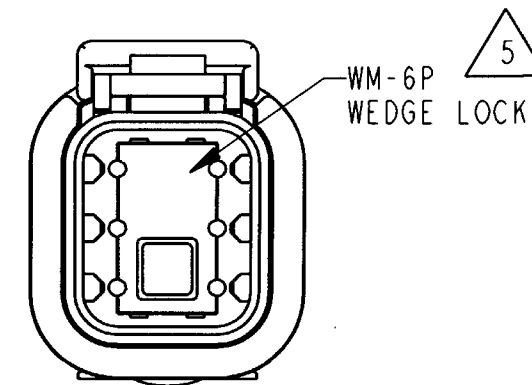


REV  
NC **DTM04-6P-C017**

REVISIONS			
SYM	DESCRIPTION	DATE	APPROVED
NC	NEW RELEASE PER E.O. P19766	2-25-08	RDA



5. PART MODIFICATION: BLOCKED GROMMET, WEDGE LOCK AND END CAP.
4. MATERIAL - HOUSING/END CAP: PLASTIC (GREY); GROMMET: RUBBER.
3. THIS RECEPTACLE MATES WITH DTM06-6S-\*\*\*\* PLUG.  
(\*\*\*\* = ALL MODIFICATIONS)
2. DIMENSION TOLERANCE:  $\pm .025$  [.64].
1. DIMENSIONS ARE IN INCHES [mm].
- NOTES: UNLESS OTHERWISE SPECIFIED

SIGNATURE & DATE	
DR	P. CARNAHAN 02/18/08
CHK	R. Maxson 2/25/08
PE	Paul Cole 2/22/08
APPD	D. Meyer 2/20/08
SCALE	NONE WT

RECEPTACLE, SHRINK BOOT CAP  
BLOCKED CAVITIES  
FOR 6 PIN  
DTM SERIES  
-C017

ENVELOPE

EP 184	MATL. CODE
3850 INDUSTRIAL AVE. HEMET, CA 92545	
<b>B DTM04-6P-C017</b>	
DWG SIZE	CODE 11139 SHEET 1 OF 1