



RAYCHEM | RAYCHEM TXR

TE Internal #: E07258-000

Ruggedized, Backshell, .2 – 34.9 mm [.01 – 1.38 in] Cable Entry,  
Corrosion Resisting Steel, Right Angle, 40 Shell Size, 22 Entry Size,  
RAYCHEM TXR

[View on TE.com >](#)

Connectors > Connector Accessories > Connector Backshells



Connector Backshell Product Style: **Ruggedized**

Connector Backshell Product Type: **Backshell**

Cable Entry Diameter: **.2 – 34.9 mm [.01 – 1.38 in ]**

Primary Product Material: **Corrosion Resisting Steel**

Body Orientation: **Right Angle**

## Features

### Product Type Features

Termination Device Included	TR22AI
Connector Backshell Product Style	Ruggedized
Connector Backshell Product Type	Backshell
Termination Device Type	Side-Entry Tinel-Lock Ring, Tinel-Lock Adapter, Tinel-Lock Ring

### Body Features

Primary Product Material	Corrosion Resisting Steel
Primary Product Plating Material	Passivated (SAE AMS-QQ-P-35 or MIL-S-5002)

### Housing Features

Body Orientation	Right Angle
Compatible With Connector Shape	Circular

### Dimensions

Product Length	72 mm[2.83 in]
Compatible Cable Diameter Range	17.5 – 27.9 mm[.688 – 1.1 in]
Cable Entry Diameter	.2 – 34.9 mm[.01 – 1.38 in]

### Usage Conditions

Salt Spray Resistance	1000 Hr
-----------------------	---------



Operating Temperature Range	-65 – 260 °C[-85 – 500 °F]
-----------------------------	----------------------------

### Operation/Application

Compatible With Connector Shell Size	40
--------------------------------------	----

### Industry Standards

Connector Detail Specification Number	AS34001, AS34011, AS34041, AS34061, AS34081, AS34091, AS34121, AS34241, AS34461, AS34501, AS34511, AS34541, AS34561, AS34641, AS34671, AS34681, M83723/01, M83723/02, M83723/03, M83723/04, M83723/05, M83723/06, M83723/07, M83723/08, M83723/13, M83723/14, M83723/36, M83723/37, M83723/38, M83723/39, M83723/40, M83723/41, M83723/42, M83723/43, M83723/48, M83723/49, M83723/65, M83723/66, M83723/67, M83723/68, M83723/69, M83723/71, M83723/72, M83723/73, M83723/74, M83723/75, M83723/76, M83723/77, M83723/78, M83723/82, M83723/83, M83723/84, M83723/85, M83723/86, M83723/87, M83723/91, M83723/92, M83723/95, M83723/96, M83723/97, M83723/98, MS3459, MS3470, MS3471, MS3472, MS3474, MS3475, MS3476, NAS 1599, NAS 1641, NAS 1642, NAS 1643, NAS 1650, NAS 1651, NAS 1652, NAS 1653, NAS 1692, NAS 1693, NAS 1694, NAS 1699, NAS 1700, NAS 1701, NAS 1702
---------------------------------------	---

### Other

TE Connector Interface Code	54
-----------------------------	----

Entry Size Code	22
-----------------	----

### Product Compliance

[For compliance documentation, visit the product page on TE.com>](#)

EU RoHS Directive 2011/65/EU	Compliant
------------------------------	-----------

EU ELV Directive 2000/53/EC	Compliant
-----------------------------	-----------

China RoHS 2 Directive MIIT Order No 32, 2016	有害物质含量符合标准要求 No Restricted Substance(s) Above Threshold
---	---

EU REACH Regulation (EC) No. 1907/2006	Current ECHA Candidate List: JUNE 2025 (250) Candidate List Declared Against: JUNE 2022 (224)
--	--



Does not contain REACH SVHC

Halogen Content

Low Halogen - Br, Cl, F < 900 ppm per homogenous material. Also BFR/CFR/PVC Free

Solder Process Capability

Not applicable for solder process capability

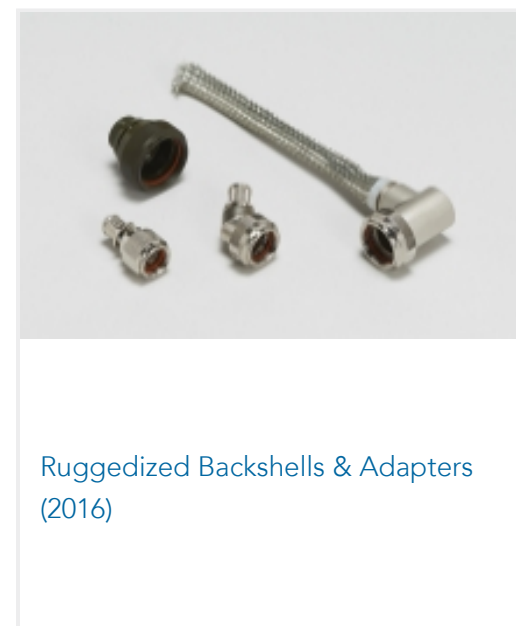
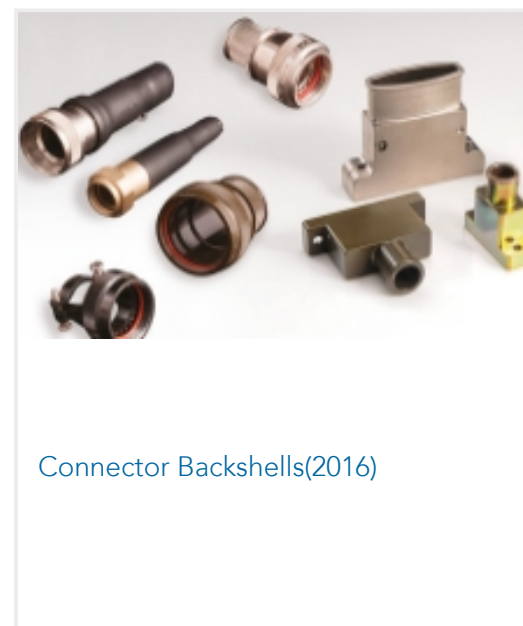
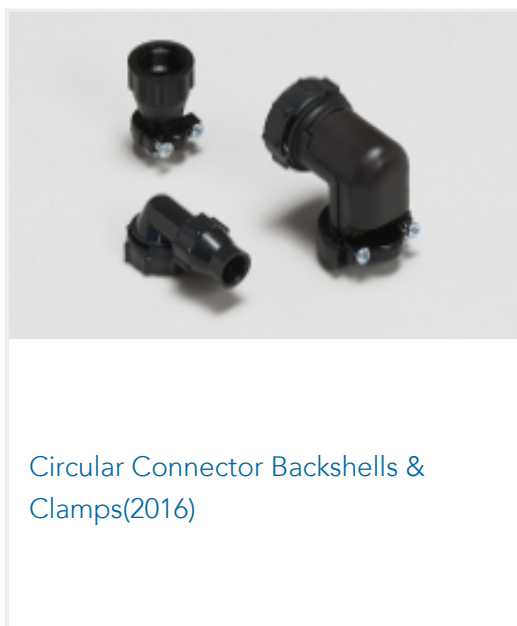
Product Compliance Disclaimer

This information is provided based on reasonable inquiry of our suppliers and represents our current actual knowledge based on the information they provided. This information is subject to change. The part numbers that TE has identified as EU RoHS compliant have a maximum concentration of 0.1% by weight in homogenous materials for lead, hexavalent chromium, mercury, PBB, PBDE, DBP, BBP, DEHP, DIBP, and 0.01% for cadmium, or qualify for an exemption to these limits as defined in the Annexes of Directive 2011/65/EU (RoHS2). Finished electrical and electronic equipment products will be CE marked as required by Directive 2011/65/EU. Components may not be CE marked. Additionally, the part numbers that TE has identified as EU ELV compliant have a maximum concentration of 0.1% by weight in homogenous materials for lead, hexavalent chromium, and mercury, and 0.01% for cadmium, or qualify for an exemption to these limits as defined in the Annexes of Directive 2000/53/EC (ELV). Regarding the REACH Regulation, the information TE provides on SVHC in articles for this part number is based on the latest European Chemicals Agency (ECHA) 'Guidance on requirements for substances in articles' posted at this URL: <https://echa.europa.eu/guidance-documents/guidance-on-reach>

## Compatible Parts



## Also in the Series | RAYCHEM TXR



## Customers Also Bought



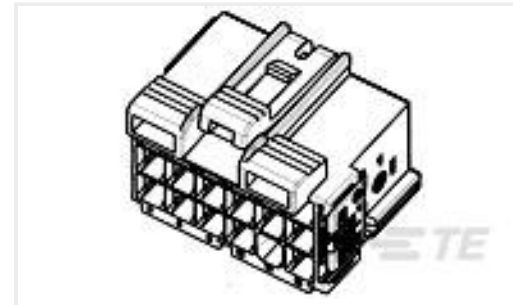
TE Part #5054324002  
RNF-100-1-1/2-3-SP



TE Part #625250-000  
D-128-0008



TE Part #926647-2  
15P UN-MNL AUFN-GEH



TE Part #1241581-2  
JUN-POW-TIM GEH 17P



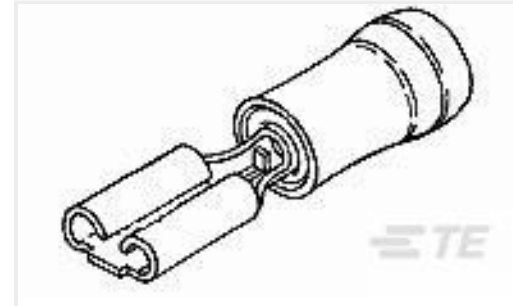
TE Part #6-1676123-0  
1/2W SM M/OX 5% 240R



TE Part #7-1676123-7  
1/2W SM M/OX 5% 1K2



TE Part #7-1676123-9  
1/2W SM M/OX 5% 1K5



TE Part #165616-5  
110 PIDG FASTON REC

## Documents

### Product Drawings

[TXR54SJ90-4022AI](#)

English

### Datasheets & Catalog Pages

[Circular Backshells](#)

English