

## LM1972 $\mu$ Pot 2-Channel 78dB Audio Attenuator with Mute

Check for Samples: [LM1972](#)

### FEATURES

- 3-Wire Serial Interface
- Daisy-Chain Capability
- 104dB Mute Attenuation
- Pop and Click Free Attenuation Changes

### APPLICATIONS

- Automated Studio Mixing Consoles
- Music Reproduction Systems
- Sound Reinforcement Systems
- Electronic Music (MIDI)
- Personal Computer Audio Control

### KEY SPECIFICATIONS

- Total Harmonic Distortion + Noise: 0.003 % (max)
- Frequency response: 100 kHz (–3dB) (min)
- Attenuation range (excluding mute): 78 dB (typ)
- Differential attenuation:  $\pm 0.25$  dB (max)
- Signal-to-noise ratio (ref. 4 V<sub>rms</sub>): 110 dB (min)
- Channel separation: 100 dB (min)

### Typical Application

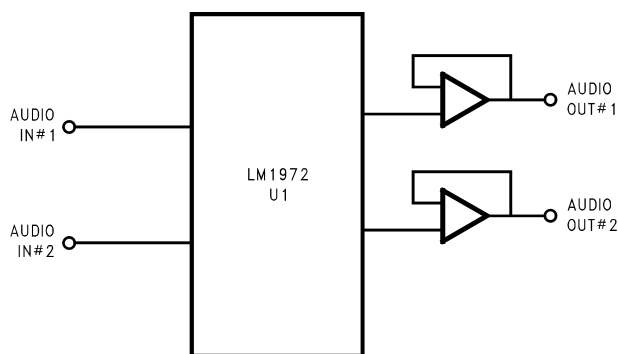


Figure 1. Typical Audio Attenuator Application Circuit

### DESCRIPTION

The LM1972 is a digitally controlled 2-channel 78dB audio attenuator fabricated on a CMOS process. Each channel has attenuation steps of 0.5dB from 0dB–47.5dB, 1.0dB steps from 48dB–78dB, with a mute function attenuating 104dB. Its logarithmic attenuation curve can be customized through software to fit the desired application.

The performance of a  $\mu$ Pot is demonstrated through its excellent Signal-to-Noise Ratio, extremely low (THD+N), and high channel separation. Each  $\mu$ Pot contains a mute function that disconnects the input signal from the output, providing a minimum attenuation of 96dB. Transitions between any attenuation settings are pop free.

The LM1972's 3-wire serial digital interface is TTL and CMOS compatible; receiving data that selects a channel and the desired attenuation level. The Data-Out pin of the LM1972 allows multiple  $\mu$ Pots to be daisy-chained together, reducing the number of enable and data lines to be routed for a given application.

### Connection Diagram

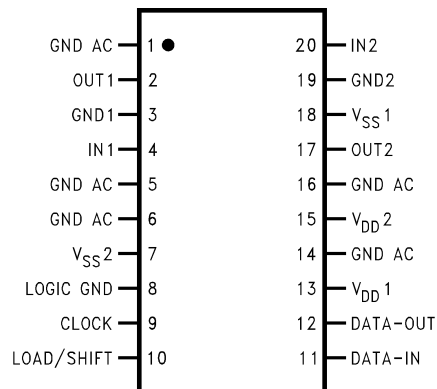


Figure 2. 20-Lead SOIC - Top View  
See DW Package



Please be aware that an important notice concerning availability, standard warranty, and use in critical applications of Texas Instruments semiconductor products and disclaimers thereto appears at the end of this data sheet.

All trademarks are the property of their respective owners.



These devices have limited built-in ESD protection. The leads should be shorted together or the device placed in conductive foam during storage or handling to prevent electrostatic damage to the MOS gates.

### Absolute Maximum Ratings <sup>(1)(2)(3)</sup>

|                                    |                      |                                    |
|------------------------------------|----------------------|------------------------------------|
| Supply Voltage ( $V_{DD}-V_{SS}$ ) |                      | 15V                                |
| Voltage at Any Pin                 |                      | $V_{SS} - 0.2V$ to $V_{DD} + 0.2V$ |
| Power Dissipation <sup>(4)</sup>   |                      | 150 mW                             |
| ESD Susceptibility <sup>(5)</sup>  |                      | 2000V                              |
| Junction Temperature               |                      | 150°C                              |
| Soldering Information              | DW Package (10 sec.) | +260°C                             |
| Storage Temperature                |                      | -65°C to +150°C                    |

- (1) All voltages are measured with respect to GND pins (1, 3, 5, 6, 14, 16, 19), unless otherwise specified.
- (2) *Absolute Maximum Ratings* indicate limits beyond which damage to the device may occur. Operating Ratings indicate conditions for which the device is functional. *Electrical Characteristics* state DC and AC electrical specifications under particular test conditions. This assumes that the device is within the Operating Ratings. The typical value is a good indication of device performance.
- (3) If Military/Aerospace specified devices are required, please contact the Texas Instruments Sales Office/ Distributors for availability and specifications.
- (4) The maximum power dissipation must be derated at elevated temperatures and is dictated by  $T_{JMAX}$ ,  $\theta_{JA}$ , and the ambient temperature  $T_A$ . The maximum allowable power dissipation is  $PD = (T_{JMAX} - T_A)/\theta_{JA}$  or the number given in the Absolute Maximum Ratings, whichever is lower. For the LM1972,  $T_{JMAX} = +150^\circ\text{C}$ , and the typical junction-to-ambient thermal resistance, when board mounted, is  $65^\circ\text{C/W}$ .
- (5) Human body model, 100 pF discharged through a 1.5 k $\Omega$  resistor.

### Operating Ratings <sup>(1)(2)</sup>

|                                      | $T_{MIN}$                       | $T_A$      | $T_{MAX}$                |
|--------------------------------------|---------------------------------|------------|--------------------------|
| Temperature Range                    | $T_{MIN} \leq T_A \leq T_{MAX}$ |            |                          |
|                                      | 0°C                             | $\leq T_A$ | $\leq +70^\circ\text{C}$ |
| Supply Voltage ( $V_{DD} - V_{SS}$ ) | 4.5V to 12V                     |            |                          |

- (1) All voltages are measured with respect to GND pins (1, 3, 5, 6, 14, 16, 19), unless otherwise specified.
- (2) *Absolute Maximum Ratings* indicate limits beyond which damage to the device may occur. Operating Ratings indicate conditions for which the device is functional. *Electrical Characteristics* state DC and AC electrical specifications under particular test conditions. This assumes that the device is within the Operating Ratings. The typical value is a good indication of device performance.

## Electrical Characteristics <sup>(1)(2)</sup>

The following specifications apply for all channels with  $V_{DD} = +6V$ ,  $V_{SS} = -6V$ ,  $V_{IN} = 5.5$  Vpk, and  $f = 1$  kHz, unless otherwise specified. Limits apply for  $T_A = 25^\circ C$ . Digital inputs are TTL and CMOS compatible.

| Symbol  | Parameter                              | Conditions  | LM1972                 |                      | Units (Limits) |
|---|--|---|------------------------|----------------------|----------------|
|   |  |   | Typical <sup>(3)</sup> | Limit <sup>(4)</sup> |                |
| $I_S$   | Supply Current                         | Inputs are AC Grounded                                      | 2                      | 4                    | mA (max)       |
| THD+N   | Total Harmonic Distortion plus Noise   | $V_{IN} = 0.5$ Vpk @ 0dB Attenuation                        | 0.0008                 | 0.003                | % (max)        |
| XTalk   | Crosstalk (Channel Separation)         | 0dB Attenuation for $V_{IN}$<br>$V_{CH}$ measured @ -78dB   | 110                    | 100                  | dB (min)       |
| SNR   | Signal-to-Noise Ratio                  | Inputs are AC Grounded<br>@ -12dB Attenuation<br>A-Weighted | 120                    | 110                  | dB (min)       |
| $A_M$   | Mute Attenuation                       |   | 104                    | 96                   | dB (min)       |
|   | Attenuation Step Size Error            | 0dB to -47.5dB  |                        | ±0.05                | dB (max)       |
|   |  | -48dB to -78dB  |                        | ±0.25                | dB (max)       |
|   | Absolute Attenuation Error             | Attenuation @ 0dB   | 0.03                   | 0.5                  | dB (min)       |
|   |  | Attenuation @ -20dB   | 19.8                   | 19.0                 | dB (min)       |
|   |  | Attenuation @ -40dB   | 39.5                   | 38.5                 | dB (min)       |
| Attenuation @ -60dB                           |  | 59.3  | 57.5                   | dB (min)             |                |
| Attenuation @ -78dB                           |  | 76.3  | 74.5                   | dB (min)             |                |
| Channel-to-Channel Attenuation Tracking Error | Attenuation @ 0dB, -20dB, -40dB, -60dB |   | ±0.5                   | dB (max)             |                |
|   | Attenuation @ -78dB                    |   | ±0.75                  | dB (max)             |                |
| $I_{LEAK}$                                    | Analog Input Leakage Current           | Inputs are AC Grounded                                      | 10.0                   | 100                  | nA (max)       |
| $R_{IN}$                                      | AC Input Impedance                     | Pins 4, 20, $V_{IN} = 1.0$ Vpk, $f = 1$ kHz                 | 40                     | 20                   | kΩ (min)       |
|   |  |   |                        | 60                   | kΩ (max)       |
| $I_{IN}$                                      | Input Current                          | @ Pins 9, 10, 11 @ $0V < V_{IN} < 5V$                       | 1.0                    | ±100                 | nA (max)       |
| $f_{CLK}$                                     | Clock Frequency                        |   | 3                      | 2                    | MHz (max)      |
| $V_{IH}$                                      | High-Level Input Voltage               | @ Pins 9, 10, 11  |                        | 2.0                  | V (min)        |
| $V_{IL}$                                      | Low-Level Input Voltage                | @ Pins 9, 10, 11  |                        | 0.8                  | V (max)        |
|   | Data-Out Levels (Pin 12)               | $V_{DD}=6V$ , $V_{SS}=0V$                                   |                        | 0.1                  | V (max)        |
|   |  |   |                        | 5.9                  | V (min)        |

- (1) All voltages are measured with respect to GND pins (1, 3, 5, 6, 14, 16, 19), unless otherwise specified.
- (2) *Absolute Maximum Ratings* indicate limits beyond which damage to the device may occur. Operating Ratings indicate conditions for which the device is functional. *Electrical Characteristics* state DC and AC electrical specifications under particular test conditions. This assumes that the device is within the Operating Ratings. The typical value is a good indication of device performance.
- (3) Typicals are measured at  $25^\circ C$  and represent the parametric norm.
- (4) Limits are specified to Texas Instrument's AOQL (Average Output Quality Level).

### Timing Diagram

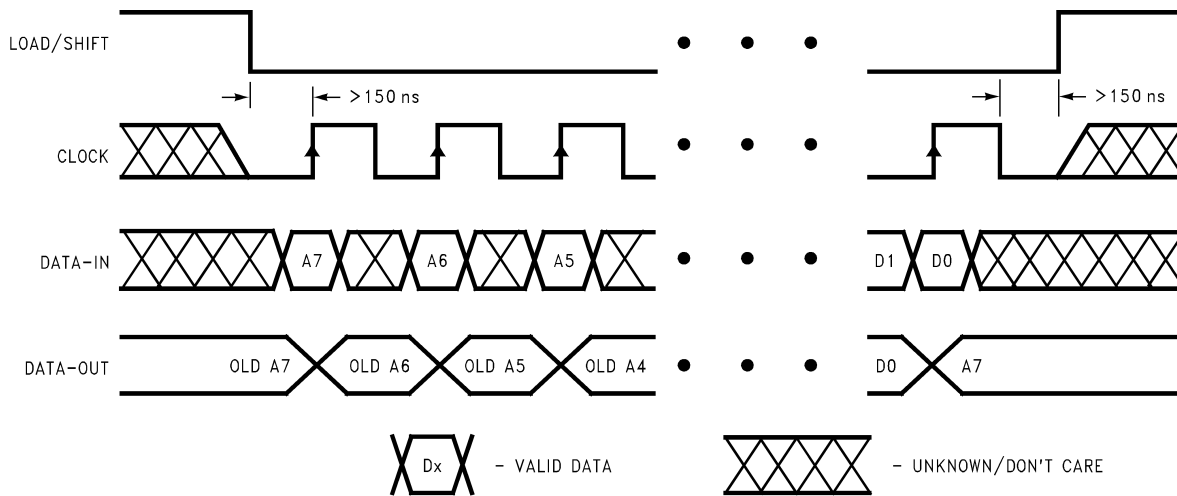


Figure 3. Timing Diagram

### PIN DESCRIPTIONS

**Signal Ground (3, 19):** Each input has its own independent ground, GND1 and GND2.

**Signal Input (4, 20):** There are 2 independent signal inputs, IN1 and IN2.

**Signal Output (2, 17):** There are 2 independent signal outputs, OUT1 and OUT2.

**Voltage Supply (13, 15):** Positive voltage supply pins,  $V_{DD1}$  and  $V_{DD2}$ .

**Voltage Supply (7, 18):** Negative voltage supply pins,  $V_{SS1}$  and  $V_{SS2}$ . To be tied to ground in a single supply configuration.

**AC Ground (1, 5, 6, 14, 16):** These five pins are not physically connected to the die in any way (i.e., No bondwires). These pins must be AC grounded to prevent signal coupling between any of the pins nearby. Pin 14 should be connected to pins 13 and 15 for ease of wiring and the best isolation, as an example.

**Logic Ground (8):** Digital signal ground for the interface lines; CLOCK, LOAD/SHIFT, DATA-IN and DATA-OUT.

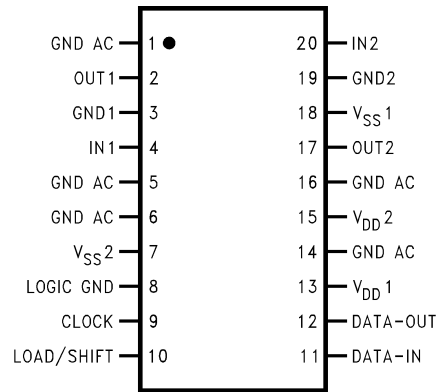
**Clock (9):** The clock input accepts a TTL or CMOS level signal. The clock input is used to load data into the internal shift register on the rising edge of the input clock waveform.

**Load/Shift (10):** The load/shift input accepts a TTL or CMOS level signal. This is the enable pin of the device, allowing data to be clocked in while this input is low (0V).

**Data-In (11):** The data-in input accepts a TTL or CMOS level signal. This pin is used to accept serial data from a microcontroller that will be latched and decoded to change a channel's attenuation level.

**Data-Out (12):** This pin is used in daisy-chain mode where more than one  $\mu$ Pot is controlled via the same data line. As the data is clocked into the chain from the  $\mu$ C, the preceding data in the shift register is shifted out the DATA-OUT pin to the next  $\mu$ Pot in the chain or to ground if it is the last  $\mu$ Pot in the chain. The LOAD/SHIFT line goes high once all of the new data has been shifted into each of its respective registers.

**Connection Diagram**



### Typical Performance Characteristics

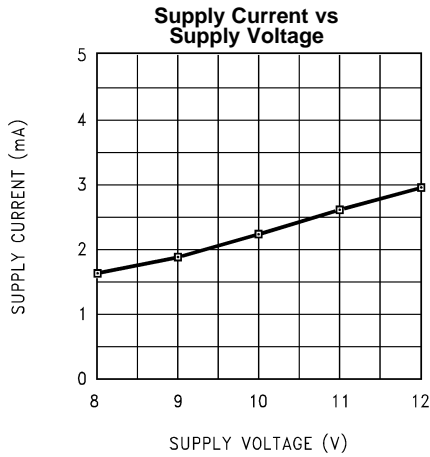


Figure 4.

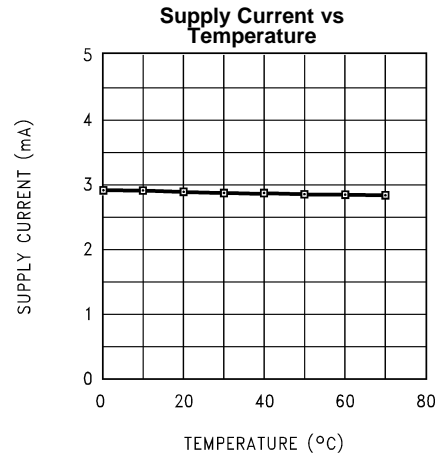


Figure 5.

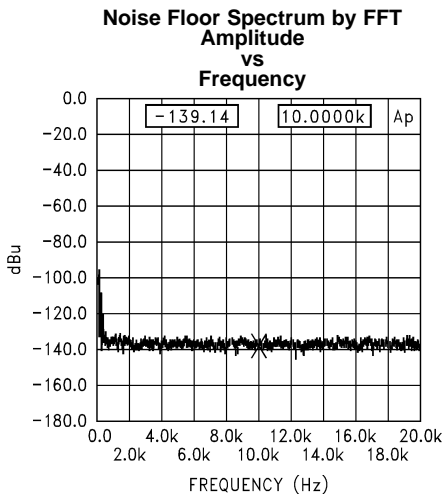


Figure 6.

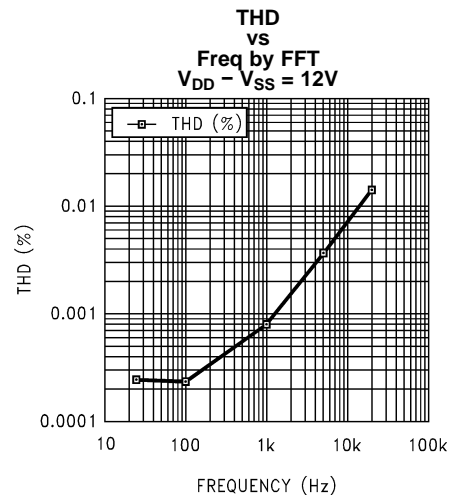


Figure 7.

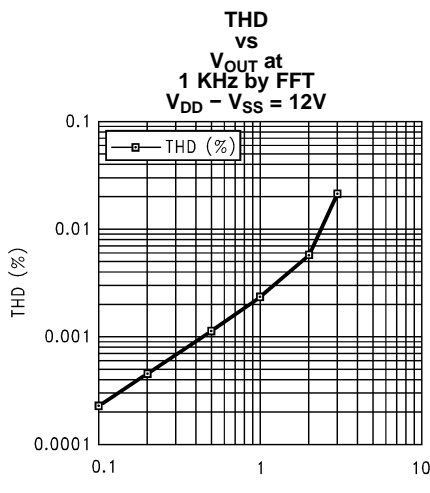


Figure 8.

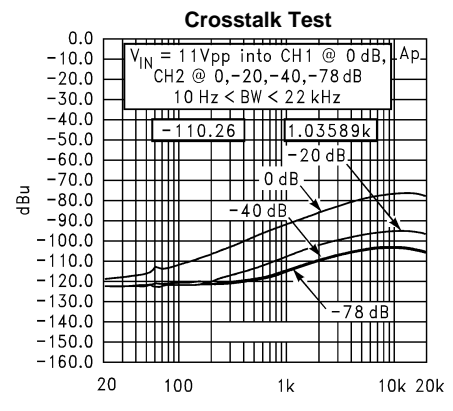


Figure 9.

Typical Performance Characteristics (continued)

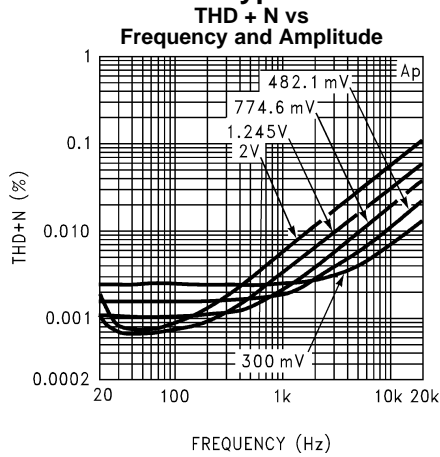


Figure 10.

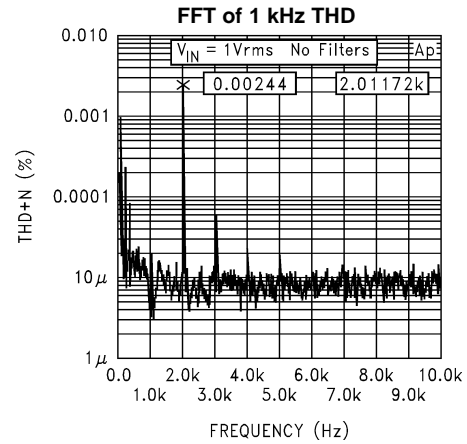


Figure 11.

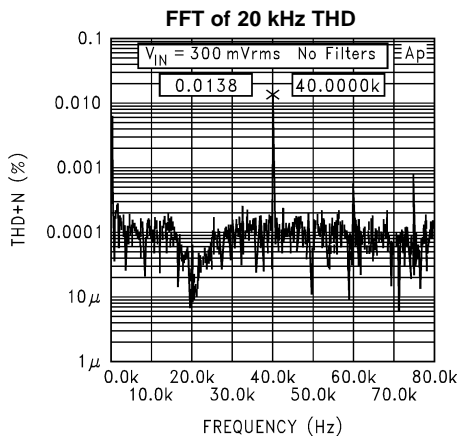


Figure 12.

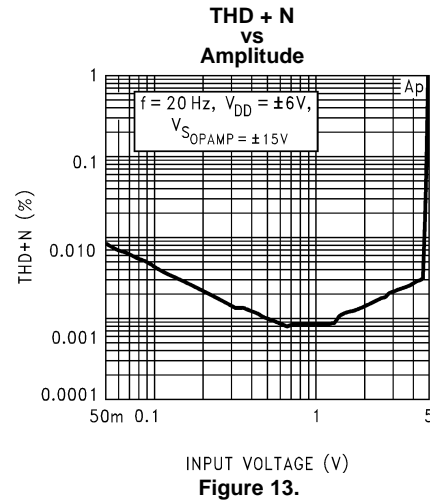


Figure 13.

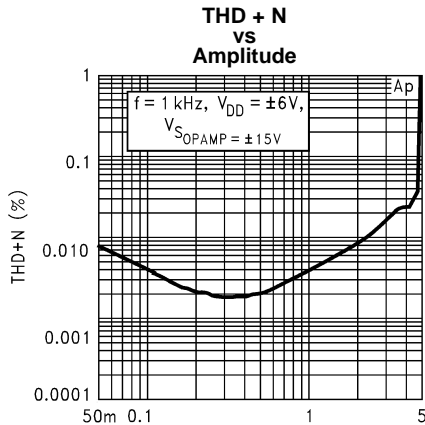


Figure 14.

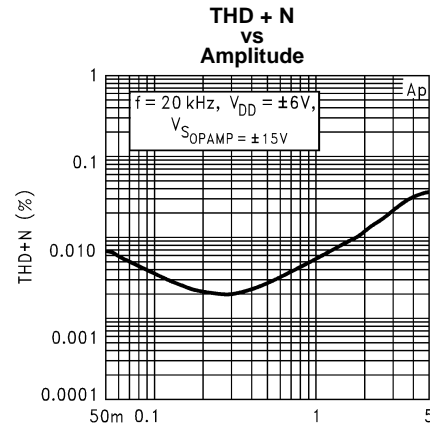
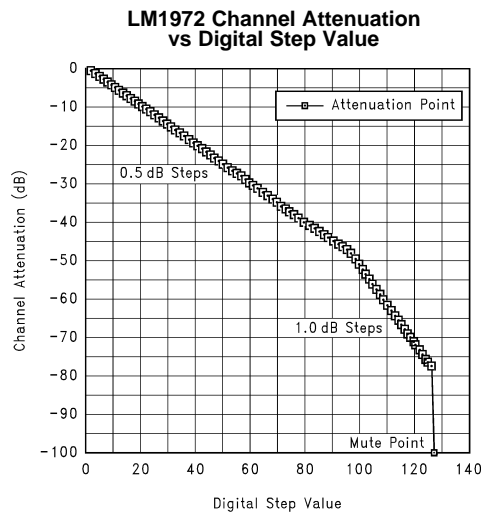


Figure 15.

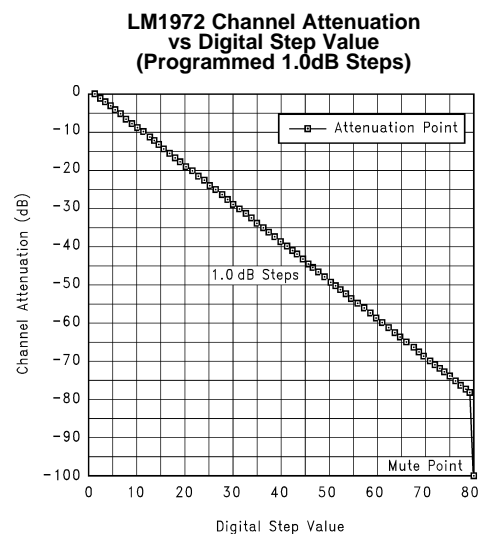
## APPLICATION INFORMATION

### ATTENUATION STEP SCHEME

The fundamental attenuation step scheme for the LM1972  $\mu$ Pot is shown in Figure 16. This attenuation step scheme, however, can be changed through programming techniques to fit different application requirements. One such example would be a constant logarithmic attenuation scheme of 1dB steps for a panning function as shown in Figure 17. The only restriction to the customization of attenuation schemes are the given attenuation levels and their corresponding data bits shown in Table 1. The device will change attenuation levels only when a channel address is recognized. When recognized, the attenuation level will be changed corresponding to the data bits shown in Table 1. As shown in Figure 19, an LM1972 can be configured as a panning control which separates the mono signal into left and right channels. This circuit may utilize the fundamental attenuation scheme of the LM1972 or be programmed to provide a constant 1dB logarithmic attenuation scheme as shown in Figure 17.



**Figure 16. LM1972 Attenuation Step Scheme**



**Figure 17. LM1972 1.0dB  
Attenuation Step Scheme**



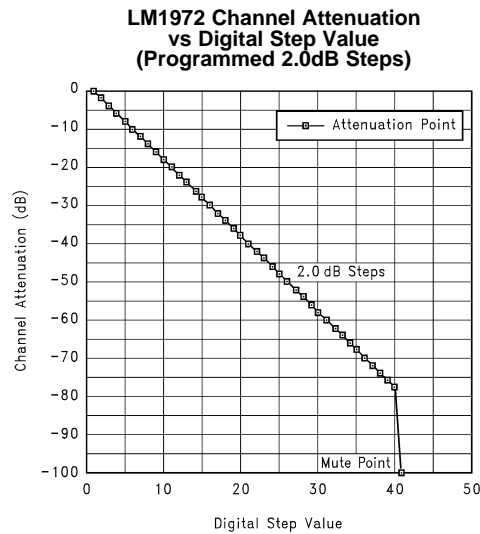


Figure 18. LM1972 2.0dB Attenuation Step Scheme

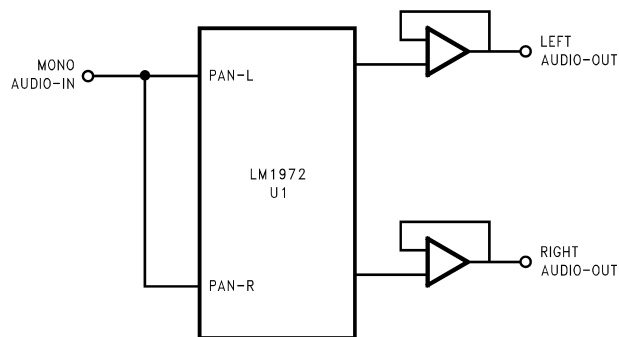


Figure 19. Mono Panning Circuit

## INPUT IMPEDANCE

The input impedance of a  $\mu$ Pot is constant at a nominal 40 k $\Omega$ . To eliminate any unwanted DC components from propagating through the device it is common to use 1  $\mu$ F input coupling caps. This is not necessary, however, if the dc offset from the previous stage is negligible. For higher performance systems, input coupling caps are preferred.

## OUTPUT IMPEDANCE

The output of a  $\mu$ Pot varies typically between 25 k $\Omega$  and 35 k $\Omega$  and changes nonlinearly with step changes. Since a  $\mu$ Pot is made up of a resistor ladder network with a logarithmic attenuation, the output impedance is nonlinear. Due to this configuration, a  $\mu$ Pot cannot be considered as a linear potentiometer, but can be considered only as a logarithmic attenuator.

It should be noted that the linearity of a  $\mu$ Pot cannot be measured directly without a buffer because the input impedance of most measurement systems is not high enough to provide the required accuracy. Due to the low impedance of the measurement system, the output of the  $\mu$ Pot would be loaded down and an incorrect reading will result. To prevent loading from occurring, a JFET input op amp should be used as the buffer/amplifier. The performance of a  $\mu$ Pot is limited only by the performance of the external buffer/amplifier.

## MUTE FUNCTION

One major feature of a  $\mu$ Pot is its ability to mute the input signal to an attenuation level of 104dB as shown in [Figure 16](#). This is accomplished internally by physically isolating the output from the input while also grounding the output pin through approximately 2 k $\Omega$ .

The mute function is obtained during power-up of the device or by sending any binary data of 01111111 and above (to 11111111) serially to the device. The device may be placed into mute from a previous attenuation setting by sending any of the above data. This allows the designer to place a mute button onto his system which could cause a microcontroller to send the appropriate data to a  $\mu$ Pot and thus mute any or all channels. Since this function is achieved through software, the designer has a great amount of flexibility in configuring the system.

## DC INPUTS

Although the  $\mu$ Pot was designed to be used as an attenuator for signals within the audio spectrum, the device is capable of tracking an input DC voltage. The device will track DC voltages to a diode drop above each supply rail.

One point to remember about DC tracking is that with a buffer at the output of the  $\mu$ Pot, the resolution of DC tracking will depend upon the gain configuration of that output buffer and its supply voltage. It should also be remembered that the output buffer's supply voltage does not have to be the same as the  $\mu$ Pot's supply voltage. This could allow for more resolution when DC tracking.

## SERIAL DATA FORMAT

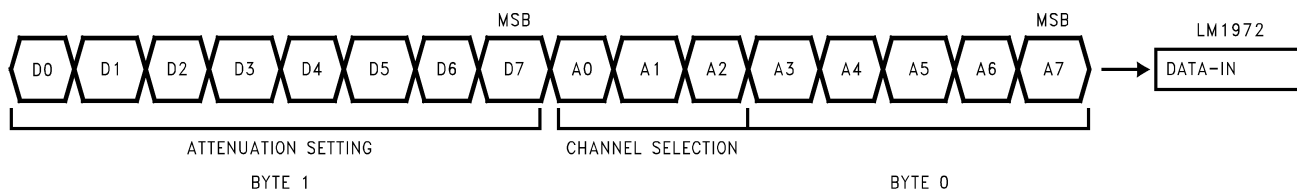
The LM1972 uses a 3-wire serial communication format that is easily controlled by a microcontroller. The timing for the 3-wire set, comprised of DATA-IN, CLOCK, and LOAD/SHIFT is shown in [Figure 3](#). [Figure 22](#) exhibits in block diagram form how the digital interface controls the tap switches which select the appropriate attenuation level. As depicted in [Figure 3](#), the LOAD/SHIFT line is to go low at least 150 ns before the rising edge of the first clock pulse and is to remain low throughout the transmission of each set of 16 data bits. The serial data is comprised of 8 bits for channel selection and 8 bits for attenuation setting. For both address data and attenuation setting data, the MSB is sent first and the 8 bits of address data are to be sent before the 8 bits of attenuation data. Please refer to [Figure 20](#) to confirm the serial data format transfer process.

**Table 1. LM1972 Micropot Attenuator Register Set Description**

| MSB:                             | LSB                         |
|----------------------------------|-----------------------------|
| <b>Address Register (Byte 0)</b> |                             |
| 0000 0000                        | Channel 1                   |
| 0000 0001                        | Channel 2                   |
| 0000 0010                        | Channel 3                   |
| <b>Data Register (Byte 1)</b>    |                             |
| <b>Contents</b>                  | <b>Attenuation Level dB</b> |
| 0000 0000                        | 0.0                         |
| 0000 0001                        | 0.5                         |
| 0000 0010                        | 1.0                         |
| 0000 0011                        | 1.5                         |
| ::: ::                           | ::                          |
| 0001 1110                        | 15.0                        |
| 0001 1111                        | 15.5                        |
| 0010 0000                        | 16.0                        |
| 0010 0001                        | 16.5                        |
| 0010 0010                        | 17.0                        |
| ::: ::                           | ::                          |
| 0101 1110                        | 47.0                        |
| 0101 1111                        | 47.5                        |
| 0110 0000                        | 48.0                        |
| 0110 0001                        | 49.0                        |
| 0110 0010                        | 50.0                        |
| ::: ::                           | ::                          |

**Table 1. LM1972 Micropot Attenuator Register Set Description (continued)**

| MSB: LSB |           |              |
|----------|-----------|--------------|
|          | 0111 1100 | 76.0         |
|          | 0111 1101 | 77.0         |
|          | 0111 1110 | 78.0         |
|          | 0111 1111 | 100.0 (Mute) |
|          | 1000 0000 | 100.0 (Mute) |
|          | .....     | ::           |
|          | 1111 1110 | 100.0 (Mute) |
|          | 1111 1111 | 100.0 (Mute) |



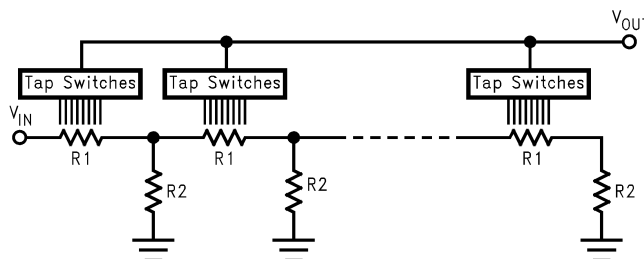
**Figure 20. Serial Data Format Transfer Process**

**µPot SYSTEM ARCHITECTURE**

The µPot's digital interface is essentially a shift register, where serial data is shifted in, latched, and then decoded. As new data is shifted into the DATA-IN pin, the previously latched data is shifted out the DATA-OUT pin. Once the data is shifted in, the LOAD/SHIFT line goes high, latching in the new data. The data is then decoded and the appropriate switch is activated to set the desired attenuation level for the selected channel. This process is continued each and every time an attenuation change is made. Each channel is updated, only, when that channel is selected for an attenuator change or the system is powered down and then back up again. When the µPot is powered up, each channel is placed into the muted mode.

**µPot LADDER ARCHITECTURE**

Each channel of a µPot has its own independent resistor ladder network. As shown in Figure 21, the ladder consists of multiple R1/R2 elements which make up the attenuation scheme. Within each element there are tap switches that select the appropriate attenuation level corresponding to the data bits in Table 1. It can be seen in Figure 21 that the input impedance for the channel is a constant value regardless of which tap switch is selected, while the output impedance varies according to the tap switch selected.



**Figure 21. µPot Ladder Architecture**

**DIGITAL LINE COMPATIBILITY**

The µPot's digital interface section is compatible with either TTL or CMOS logic due to the shift register inputs acting upon a threshold voltage of 2 diode drops or approximately 1.4V.

## DIGITAL DATA-OUT PIN

The DATA-OUT pin is available for daisy-chain system configurations where multiple  $\mu$ Pots will be used. The use of the daisy-chain configuration allows the system designer to use only one DATA and one LOAD/SHIFT line per chain, thus simplifying PCB trace layouts.

In order to provide the highest level of channel separation and isolate any of the signal lines from digital noise, the DATA-OUT pin should be terminated through a 2 k $\Omega$  resistor if not used. The pin may be left floating, however, any signal noise on that line may couple to adjacent lines creating higher noise specs.

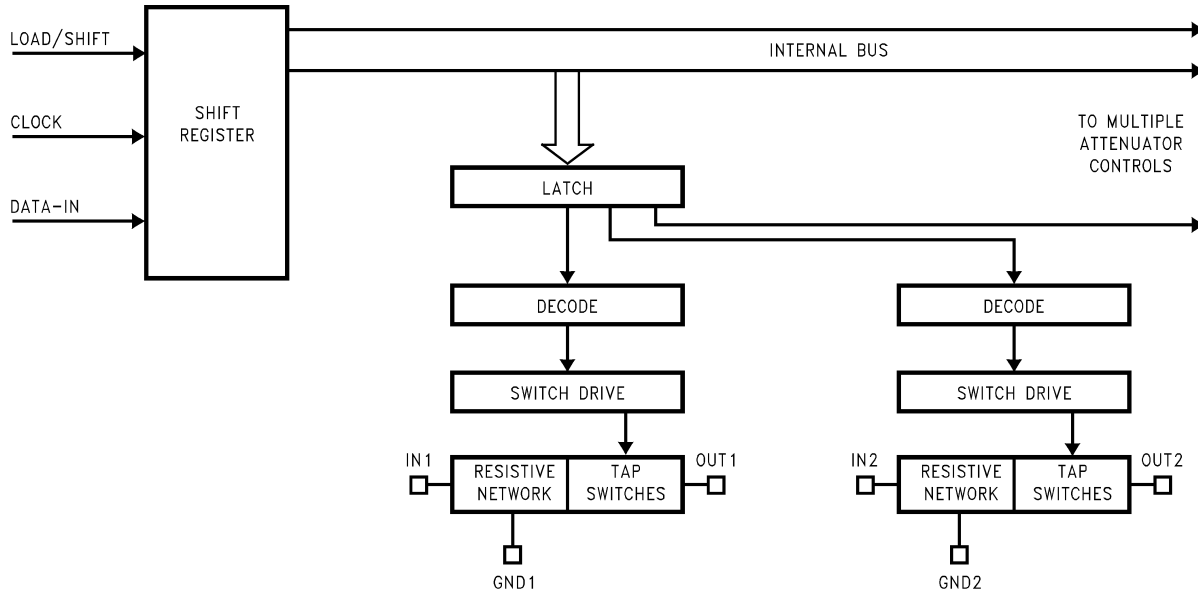


Figure 22.  $\mu$ Pot System Architecture

## DAISY-CHAIN CAPABILITY

Since the  $\mu$ Pot's digital interface is essentially a shift register, multiple  $\mu$ Pots can be programmed utilizing the same data and load/shift lines. As shown in [Figure 24](#), for an n- $\mu$ Pot daisy-chain, there are 16n bits to be shifted and loaded for the chain. The data loading sequence is the same for n- $\mu$ Pots as it is for one  $\mu$ Pot. First the LOAD/SHIFT line goes low, then the data is clocked in sequentially while the preceding data in each  $\mu$ Pot is shifted out the DATA-OUT pin to the next  $\mu$ Pot in the chain or to ground if it is the last  $\mu$ Pot in the chain. Then the LOAD/SHIFT line goes high; latching the data into each of their corresponding  $\mu$ Pots. The data is then decoded according to the address (channel selection) and the appropriate tap switch controlling the attenuation level is selected.

## CROSSTALK MEASUREMENTS

The crosstalk of a  $\mu$ Pot as shown in the [Typical Performance Characteristics](#) was obtained by placing a signal on one channel and measuring the level at the output of another channel of the same frequency. It is important to be sure that the signal level being measured is of the same frequency such that a true indication of crosstalk may be obtained. Also, to ensure an accurate measurement, the measured channel's input should be AC grounded through a 1  $\mu$ F capacitor.

## CLICKS AND POPS

So, why is that output buffer needed anyway? There are three answers to this question, all of which are important from a system point of view.

The first reason to utilize a buffer/amplifier at the output of a  $\mu$ Pot is to ensure that there are no audible clicks or pops due to attenuation step changes in the device. If an on-board bipolar op amp had been used for the output stage, its requirement of a finite amount of DC bias current for operation would cause a DC voltage “pop” when the output impedance of the  $\mu$ Pot changes. Again, this phenomenon is due to the fact that the output impedance of the  $\mu$ Pot is changing with step changes and a bipolar amplifier requires a finite amount of DC bias current for its operation. As the impedance changes, so does the DC bias current and thus there is a DC voltage “pop”.

Secondly, the  $\mu$ Pot has no drive capability, so any desired gain needs to be accomplished through a buffer/non-inverting amplifier.

Third, the output of a  $\mu$ Pot needs to see a high impedance to prevent loading and subsequent linearity errors from occurring. A JFET input buffer provides a high input impedance to the output of the  $\mu$ Pot so that this does not occur.

Clicks and pops can be avoided by using a JFET input buffer/amplifier such as an LF412ACN. The LF412 has a high input impedance and exhibits both a low noise floor and low THD+N throughout the audio spectrum which maintains signal integrity and linearity for the system. The performance of the system solution is entirely dependent upon the quality and performance of the JFET input buffer/amplifier.

## LOGARITHMIC GAIN AMPUFIER

The  $\mu$ Pot is capable of being used in the feedback loop of an amplifier, however, as stated previously, the output of the  $\mu$ Pot needs to see a high impedance in order to maintain its high performance and linearity. Again, loading the output will change the values of attenuation for the device. As shown in Figure 23, a  $\mu$ Pot used in the feedback loop creates a logarithmic gain amplifier. In this configuration the attenuation levels from Table 1, now become gain levels with the largest possible gain value being 78dB. For most applications 78dB of gain will cause signal clipping to occur, however, because of the  $\mu$ Pot's versatility the gain can be controlled through programming such that the clipping level of the system is never obtained. An important point to remember is that when in mute mode the input is disconnected from the output. In this configuration this will place the amplifier in its open loop gain state, thus resulting in severe comparator action. Care should be taken with the programming and design of this type of circuit. To provide the best performance, a JFET input amplifier should be used.

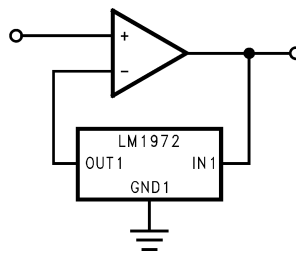


Figure 23. Digitally-Controlled Logarithmic Gain Amplifier Circuit

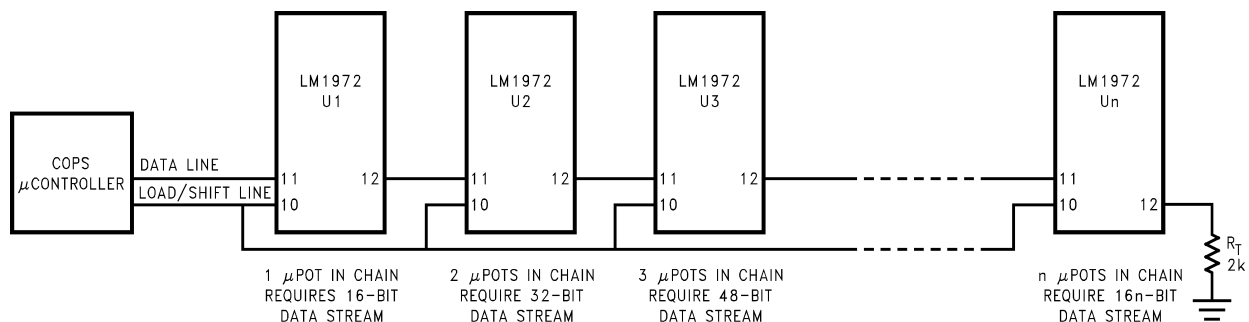


Figure 24. n- $\mu$ Pot Daisy-Chain Circuit

## REVISION HISTORY

| Changes from Revision C (March 2013) to Revision D         | Page               |
|--|--------------------|
| • Changed layout of National Data Sheet to TI format ..... | <a href="#">13</a> |

**PACKAGING INFORMATION**

| Orderable part number         | Status<br>(1) | Material type<br>(2) | Package   Pins | Package qty   Carrier | RoHS<br>(3) | Lead finish/<br>Ball material<br>(4) | MSL rating/<br>Peak reflow<br>(5) | Op temp (°C) | Part marking<br>(6) |
|-------------------------------|---------------|----------------------|----------------|-----------------------|-------------|--------------------------------------|-----------------------------------|--------------|---------------------|
| <a href="#">LM1972M/NOPB</a>  | Active        | Production           | SOIC (DW)   20 | 36   TUBE             | Yes         | SN                                   | Level-3-260C-168 HR               | 0 to 70      | LM1972M             |
| LM1972M/NOPB.B                | Active        | Production           | SOIC (DW)   20 | 36   TUBE             | Yes         | SN                                   | Level-3-260C-168 HR               | 0 to 70      | LM1972M             |
| <a href="#">LM1972MX/NOPB</a> | Active        | Production           | SOIC (DW)   20 | 1000   LARGE T&R      | Yes         | SN                                   | Level-3-260C-168 HR               | 0 to 70      | LM1972M             |
| LM1972MX/NOPB.B               | Active        | Production           | SOIC (DW)   20 | 1000   LARGE T&R      | Yes         | SN                                   | Level-3-260C-168 HR               | 0 to 70      | LM1972M             |

(1) **Status:** For more details on status, see our [product life cycle](#).

(2) **Material type:** When designated, preproduction parts are prototypes/experimental devices, and are not yet approved or released for full production. Testing and final process, including without limitation quality assurance, reliability performance testing, and/or process qualification, may not yet be complete, and this item is subject to further changes or possible discontinuation. If available for ordering, purchases will be subject to an additional waiver at checkout, and are intended for early internal evaluation purposes only. These items are sold without warranties of any kind.

(3) **RoHS values:** Yes, No, RoHS Exempt. See the [TI RoHS Statement](#) for additional information and value definition.

(4) **Lead finish/Ball material:** Parts may have multiple material finish options. Finish options are separated by a vertical ruled line. Lead finish/Ball material values may wrap to two lines if the finish value exceeds the maximum column width.

(5) **MSL rating/Peak reflow:** The moisture sensitivity level ratings and peak solder (reflow) temperatures. In the event that a part has multiple moisture sensitivity ratings, only the lowest level per JEDEC standards is shown. Refer to the shipping label for the actual reflow temperature that will be used to mount the part to the printed circuit board.

(6) **Part marking:** There may be an additional marking, which relates to the logo, the lot trace code information, or the environmental category of the part.

Multiple part markings will be inside parentheses. Only one part marking contained in parentheses and separated by a "~" will appear on a part. If a line is indented then it is a continuation of the previous line and the two combined represent the entire part marking for that device.

**Important Information and Disclaimer:** The information provided on this page represents TI's knowledge and belief as of the date that it is provided. TI bases its knowledge and belief on information provided by third parties, and makes no representation or warranty as to the accuracy of such information. Efforts are underway to better integrate information from third parties. TI has taken and continues to take reasonable steps to provide representative and accurate information but may not have conducted destructive testing or chemical analysis on incoming materials and chemicals. TI and TI suppliers consider certain information to be proprietary, and thus CAS numbers and other limited information may not be available for release.

In no event shall TI's liability arising out of such information exceed the total purchase price of the TI part(s) at issue in this document sold by TI to Customer on an annual basis.

**TAPE AND REEL INFORMATION**

**QUADRANT ASSIGNMENTS FOR PIN 1 ORIENTATION IN TAPE**


\*All dimensions are nominal

| Device        | Package Type | Package Drawing | Pins | SPQ  | Reel Diameter (mm) | Reel Width W1 (mm) | A0 (mm) | B0 (mm) | K0 (mm) | P1 (mm) | W (mm) | Pin1 Quadrant |
|---------------|--------------|-----------------|------|------|--------------------|--------------------|---------|---------|---------|---------|--------|---------------|
| LM1972MX/NOPB | SOIC         | DW              | 20   | 1000 | 330.0              | 24.4               | 10.9    | 13.3    | 3.25    | 12.0    | 24.0   | Q1            |



**TAPE AND REEL BOX DIMENSIONS**


\*All dimensions are nominal

| Device        | Package Type | Package Drawing | Pins | SPQ  | Length (mm) | Width (mm) | Height (mm) |
|---------------|--------------|-----------------|------|------|-------------|------------|-------------|
| LM1972MX/NOPB | SOIC         | DW              | 20   | 1000 | 356.0       | 356.0      | 45.0        |

**TUBE**


\*All dimensions are nominal

| Device         | Package Name | Package Type | Pins | SPQ | L (mm) | W (mm) | T (μm) | B (mm) |
|----------------|--------------|--------------|------|-----|--------|--------|--------|--------|
| LM1972M/NOPB   | DW           | SOIC         | 20   | 36  | 495    | 15     | 5842   | 7.87   |
| LM1972M/NOPB.B | DW           | SOIC         | 20   | 36  | 495    | 15     | 5842   | 7.87   |

# DW0020A



# PACKAGE OUTLINE

## SOIC - 2.65 mm max height

SOIC



4220724/A 05/2016

**NOTES:**

1. All linear dimensions are in millimeters. Dimensions in parenthesis are for reference only. Dimensioning and tolerancing per ASME Y14.5M.
2. This drawing is subject to change without notice.
3. This dimension does not include mold flash, protrusions, or gate burrs. Mold flash, protrusions, or gate burrs shall not exceed 0.15 mm per side.
4. This dimension does not include interlead flash. Interlead flash shall not exceed 0.43 mm per side.
5. Reference JEDEC registration MS-013.

# EXAMPLE BOARD LAYOUT

DW0020A

SOIC - 2.65 mm max height

SOIC



LAND PATTERN EXAMPLE  
SCALE:6X



SOLDER MASK DETAILS

4220724/A 05/2016

NOTES: (continued)

- 6. Publication IPC-7351 may have alternate designs.
- 7. Solder mask tolerances between and around signal pads can vary based on board fabrication site.

# EXAMPLE STENCIL DESIGN

DW0020A

SOIC - 2.65 mm max height

SOIC



SOLDER PASTE EXAMPLE  
BASED ON 0.125 mm THICK STENCIL  
SCALE:6X

4220724/A 05/2016

NOTES: (continued)

8. Laser cutting apertures with trapezoidal walls and rounded corners may offer better paste release. IPC-7525 may have alternate design recommendations.
9. Board assembly site may have different recommendations for stencil design.

## IMPORTANT NOTICE AND DISCLAIMER

TI PROVIDES TECHNICAL AND RELIABILITY DATA (INCLUDING DATASHEETS), DESIGN RESOURCES (INCLUDING REFERENCE DESIGNS), APPLICATION OR OTHER DESIGN ADVICE, WEB TOOLS, SAFETY INFORMATION, AND OTHER RESOURCES "AS IS" AND WITH ALL FAULTS, AND DISCLAIMS ALL WARRANTIES, EXPRESS AND IMPLIED, INCLUDING WITHOUT LIMITATION ANY IMPLIED WARRANTIES OF MERCHANTABILITY, FITNESS FOR A PARTICULAR PURPOSE OR NON-INFRINGEMENT OF THIRD PARTY INTELLECTUAL PROPERTY RIGHTS.

These resources are intended for skilled developers designing with TI products. You are solely responsible for (1) selecting the appropriate TI products for your application, (2) designing, validating and testing your application, and (3) ensuring your application meets applicable standards, and any other safety, security, regulatory or other requirements.

These resources are subject to change without notice. TI grants you permission to use these resources only for development of an application that uses the TI products described in the resource. Other reproduction and display of these resources is prohibited. No license is granted to any other TI intellectual property right or to any third party intellectual property right. TI disclaims responsibility for, and you fully indemnify TI and its representatives against any claims, damages, costs, losses, and liabilities arising out of your use of these resources.

TI's products are provided subject to [TI's Terms of Sale](#), [TI's General Quality Guidelines](#), or other applicable terms available either on [ti.com](http://ti.com) or provided in conjunction with such TI products. TI's provision of these resources does not expand or otherwise alter TI's applicable warranties or warranty disclaimers for TI products. Unless TI explicitly designates a product as custom or customer-specified, TI products are standard, catalog, general purpose devices.

TI objects to and rejects any additional or different terms you may propose.

Copyright © 2026, Texas Instruments Incorporated

Last updated 10/2025