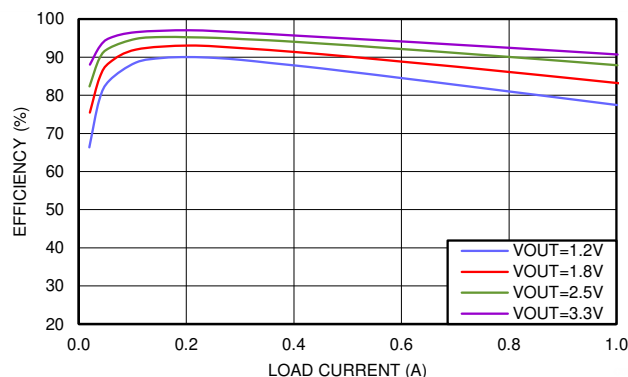


LMZ10501 1-A Nano Module With 5.5-V Maximum Input Voltage

1 Features

- Output current up to 1 A
- 2.7-V to 5.5-V input voltage range
- 0.6-V to 3.6-V output voltage range
- Efficiency up to 95%
- Integrated inductor
- 8-pin microSiP footprint
- -40°C to 125°C junction temperature range
- Adjustable output voltage
- 2-MHz fixed PWM switching frequency
- Integrated compensation
- Soft-start function
- Current limit protection
- Thermal shutdown protection
- Input voltage UVLO for power-up, power-down, and brownout conditions
- Only 5 external components — resistor divider and 3 ceramic capacitors
- Small design size
- Low output voltage ripple
- Easy component selection and simple PCB layout
- High efficiency reduces system heat generation
- Create a custom design using the LMZ10501 with the [WEBENCH® Power Designer](#)



Typical Efficiency at $V_{IN} = 3.6\text{ V}$

2 Applications

- Point of load conversions from 3.3-V and 5-V rails
- Space constrained applications
- Low output noise applications

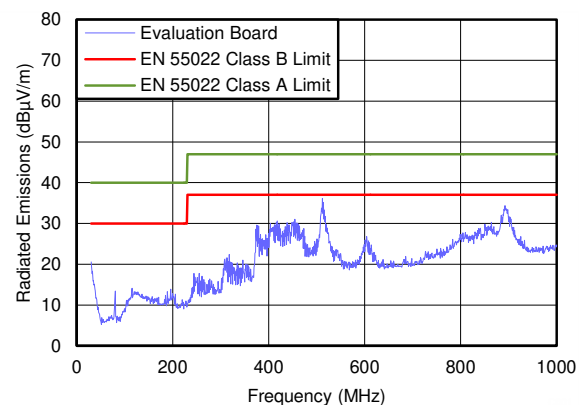
3 Description

The LMZ10501 nano module is an easy-to-use step-down DC-DC design capable of driving up to 1-A load in space-constrained applications. Only an input capacitor, an output capacitor, a small V_{CON} filter capacitor, and two resistors are required for basic operation. The nano module comes in an 8-pin μSiP footprint package with an inductor. Internal current limit based soft-start function, current overload protection, and thermal shutdown are also provided.

Package Information

| PART NUMBER | PACKAGE ⁽¹⁾ | PACKAGE SIZE ⁽²⁾ |
|-------------|----------------------------|-----------------------------|
| LMZ10501 | SIL (μSiP , 8) | 3.00 mm \times 2.60 mm |

- (1) For all available packages, see the orderable addendum at the end of the data sheet.
- (2) The package size (length \times width) is a nominal value and includes pins, where applicable.



Radiated EMI (CISPR22) $V_{IN} = 5\text{ V}$, $V_{OUT} = 1.8\text{ V}$, $I_{OUT} = 1\text{ A}$



Table of Contents

| | | | |
|--|---|--|----|
| 1 Features | 1 | 7.4 Device Functional Modes..... | 11 |
| 2 Applications | 1 | 8 Application and Implementation | 13 |
| 3 Description | 1 | 8.1 Application Information..... | 13 |
| 4 Revision History | 2 | 8.2 Typical Application..... | 13 |
| 5 Pin Configuration and Functions | 3 | 8.3 Power Supply Recommendations..... | 20 |
| 6 Specifications | 4 | 8.4 Layout..... | 21 |
| 6.1 Absolute Maximum Ratings..... | 4 | 9 Device and Documentation Support | 23 |
| 6.2 ESD Ratings..... | 4 | 9.1 Device Support..... | 23 |
| 6.3 Recommended Operating Conditions..... | 4 | 9.2 Documentation Support..... | 23 |
| 6.4 Thermal Information..... | 4 | 9.3 Receiving Notification of Documentation Updates..... | 23 |
| 6.5 Electrical Characteristics..... | 5 | 9.4 Support Resources..... | 23 |
| 6.6 System Characteristics..... | 5 | 9.5 Trademarks..... | 23 |
| 6.7 Typical Characteristics..... | 7 | 9.6 Electrostatic Discharge Caution..... | 23 |
| 7 Detailed Description | 9 | 9.7 Glossary..... | 23 |
| 7.1 Overview..... | 9 | 10 Mechanical, Packaging, and Orderable Information | 24 |
| 7.2 Functional Block Diagram..... | 9 | | |
| 7.3 Feature Description..... | 9 | | |

4 Revision History

NOTE: Page numbers for previous revisions may differ from page numbers in the current version.

| Changes from Revision G (July 2018) to Revision H (October 2023) | Page |
|---|-------------|
| • Updated the numbering format for tables, figures, and cross-references throughout the document..... | 1 |
| • Updated trademark information..... | 9 |

| Changes from Revision F (November 2014) to Revision G (July 2018) | Page |
|--|-------------|
| • Editorial rebranding for SEO..... | 1 |
| • Added links for Webench and top navigator icon for TI reference design | 1 |
| • Move storage temperature spec to <i>Abs Max</i> table | 4 |
| • Changed "Handling" to "ESD" Ratings | 4 |
| • Added Section 9.1 | 23 |
| • Changed SIL package drawing to SIL0008G | 24 |

| Changes from Revision E (January 2014) to Revision F (November 2014) | Page |
|--|-------------|
| • Added <i>Pin Configuration and Functions</i> section, <i>Handling Rating</i> table, <i>Feature Description</i> section, <i>Device Functional Modes</i> , <i>Application and Implementation</i> section, <i>Power Supply Recommendations</i> section, <i>Layout</i> section, <i>Device and Documentation Support</i> section, and <i>Mechanical, Packaging, and Orderable Information</i> section | 1 |

5 Pin Configuration and Functions

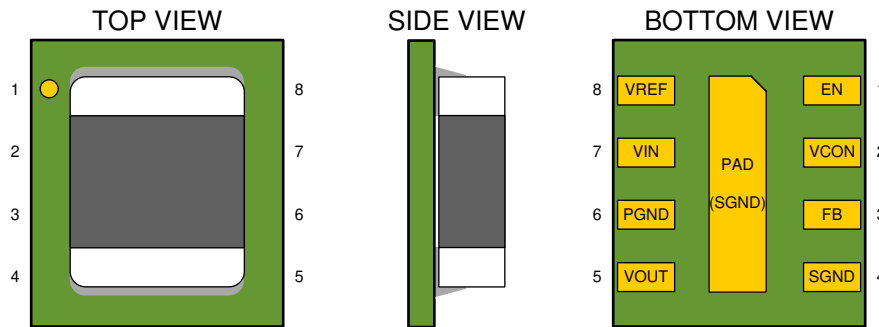


Figure 5-1. SIL Package, 8-Pin μ SIP

Table 5-1. Pin Functions

| PIN | | TYPE ⁽¹⁾ | DESCRIPTION |
|------|-----|---------------------|--|
| NAME | NO. | | |
| EN | 1 | I | Enable Input. Set this digital input higher than 1.2 V for normal operation. For shutdown, set low. Pin is internally pulled up to VIN and can be left floating for always-on operation. |
| VCON | 2 | I | Output voltage control pin. Connect to analog voltage from resistive divider or DAC/controller to set the VOUT voltage. $V_{OUT} = 2.5 \times V_{CON}$. Connect a small (470pF) capacitor from this pin to SGND to provide noise filtering. |
| FB | 3 | I | Feedback of the error amplifier. Connect directly to output capacitor to sense VOUT. |
| SGND | 4 | I | Ground for analog and control circuitry. Connect to PGND at a single point. |
| VOUT | 5 | O | Output Voltage. Connected to one terminal of the integrated inductor. Connect output filter capacitor between VOUT and PGND. |
| PGND | 6 | I | Power ground for the power MOSFETs and gate-drive circuitry. |
| VIN | 7 | I | Voltage supply input. Connect ceramic capacitor between VIN and PGND as close as possible to these two pins. Typical capacitor values are between 4.7 μ F and 22 μ F. |
| VREF | 8 | O | 2.35-V voltage reference output. Typically connected to VCON pin through a resistive divider to set the output voltage. |
| PAD | | I | The center pad underneath the SIL0008A package is internally tied to SGND. Connect this pad to the ground plane for improved thermal performance. |

(1) I = input, O = output

6 Specifications

6.1 Absolute Maximum Ratings

over operating free-air temperature range (unless otherwise noted) ⁽¹⁾ ⁽³⁾ ⁽²⁾

| | MIN | MAX | UNIT |
|--|----------------|-----------------------|------|
| VIN, VREF to SGND | -0.2 | +6.0 | V |
| PGND to SGND | -0.2 | +0.2 | V |
| EN, FB, VCON | (SGND -0.2) | (VIN +0.2) w/6 max | V |
| VOUT | (PGND -0.2) | (VIN +0.2) w/6 max | V |
| Junction temperature (T _{J-MAX}) | -40 | 125 | °C |
| Maximum lead temperature | | 260 | °C |
| Storage temperature, T _{stg} | -65 | 150 | °C |

- (1) Stresses beyond those listed under *Absolute Maximum Ratings* may cause permanent damage to the device. These are stress ratings only, which do not imply functional operation of the device at these or any other conditions beyond those indicated under [Section 6.3](#). Exposure to absolute-maximum-rated conditions for extended periods may affect device reliability.
- (2) Absolute Maximum Ratings are limits beyond which damage to the device can occur. Operating Ratings are conditions under which operation of the device is intended to be functional. For the Electrical Characteristics table for specifications and test conditions.
- (3) If Military/Aerospace specified devices are required, contact the Texas Instruments Sales Office/ Distributors for availability and specifications.

6.2 ESD Ratings

| | | VALUE | UNIT |
|--------------------|-------------------------|--|-------|
| V _(ESD) | Electrostatic discharge | Human-body model (HBM), per ANSI/ESDA/JEDEC JS-001 ⁽¹⁾ | ±1000 |
| | | Charged-device model (CDM), per JEDEC specification JESD22-C101 ⁽²⁾ | ±250 |

- (1) JEDEC document JEP155 states that 500-V HBM allows safe manufacturing with a standard ESD control process.
- (2) JEDEC document JEP157 states that 250-V CDM allows safe manufacturing with a standard ESD control process.

6.3 Recommended Operating Conditions

over operating free-air temperature range (unless otherwise noted)

| | MIN | MAX | UNIT |
|--------------------------------------|-----|------|------|
| Input voltage | 2.7 | 5.5 | V |
| Recommended load current | 0 | 1000 | mA |
| Junction temperature, T _J | -40 | 125 | °C |

6.4 Thermal Information

| THERMAL METRIC ⁽¹⁾ | | LMZ10501 | UNIT | |
|-------------------------------|---|------------------|------|------|
| | | SIL (μSIP) | | |
| | | 8 PINS | | |
| R _{θJA} | Junction-to-ambient thermal resistance ⁽²⁾ | SIL0008G Package | 45.8 | °C/W |
| R _{θJC(top)} | Junction-to-case (top) thermal resistance | | 25 | °C/W |
| R _{θJB} | Junction-to-board thermal resistance | | 9.2 | °C/W |
| ψ _{JT} | Junction-to-top characterization parameter | | 1.5 | °C/W |
| ψ _{JB} | Junction-to-board characterization parameter | | 9.1 | °C/W |
| R _{θJC(bot)} | Junction-to-case (bottom) thermal resistance | | 25 | °C/W |

- (1) For more information about traditional and new thermal metrics, see the [Semiconductor and IC Package Thermal Metrics application report](#).

- (2) Junction-to-ambient thermal resistance ($R_{\theta JA}$) is based on 4-layer board thermal measurements, performed under the conditions and guidelines set forth in the JEDEC standards JESD51-1 to JESD51-11. $R_{\theta JA}$ varies with PCB copper area, power dissipation, and airflow.

6.5 Electrical Characteristics

over operating free-air temperature range (unless otherwise noted). Typical values represent the most likely parametric norm at $T_J = 25^\circ\text{C}$, and are provided for reference purposes only. Unless otherwise stated the following conditions apply: $V_{IN} = 3.6\text{ V}$, $V_{EN} = 1.2\text{ V}$. ⁽¹⁾

| PARAMETER | | TEST CONDITIONS | MIN ⁽¹⁾ | TYP ⁽²⁾ | MAX ⁽¹⁾ | UNIT |
|------------------------------|--|--|--------------------|--------------------|--------------------|--------------------|
| SYSTEM PARAMETERS | | | | | | |
| $V_{REF} \times \text{GAIN}$ | Reference voltage \times VCON to FB gain | $V_{IN} = V_{EN} = 5.5\text{V}$, $V_{CON} = 1.44\text{V}$ | 5.7575 | 5.875 | 5.9925 | V |
| GAIN | VCON to FB Gain | $V_{IN} = 5.5\text{V}$, $V_{CON} = 1.44\text{V}$ | 2.4375 | 2.5 | 2.5750 | V/V |
| V_{INUVLO} | V_{IN} rising threshold | | 2.24 | 2.41 | 2.64 | V |
| $V_{INUVLO\ HYST}$ | V_{IN} UVLO hysteresis | | 120 | 165 | 200 | mV |
| I_{SHDN} | Shutdown supply current | $V_{IN} = 3.6\text{V}$, $V_{EN} = 0.5\text{V}$ ⁽³⁾ | | 11 | 18 | μA |
| I_q | DC bias current into V_{IN} | $V_{IN} = 5.5\text{V}$, $V_{CON} = 1.6\text{V}$, $I_{OUT} = 0\text{A}$ | | 6.5 | 9.5 | mA |
| $R_{DROPOUT}$ | V_{IN} to V_{OUT} resistance | $I_{OUT} = 200\text{ mA}$ | | 305 | 575 | m Ω |
| I_{LIM} | DC output current limit | $V_{CON} = 1.72\text{V}$ ⁽⁴⁾ | 1025 | 1350 | | mA |
| F_{OSC} | Internal oscillator frequency | | 1.75 | 2.0 | 2.25 | MHz |
| $V_{IH,ENABLE}$ | Enable logic HIGH voltage | | 1.2 | | | V |
| $V_{IL,ENABLE}$ | Enable logic LOW voltage | | | | 0.5 | V |
| T_{SD} | Thermal shutdown | Rising Threshold | | 150 | | $^\circ\text{C}$ |
| $T_{SD-HYST}$ | Thermal shutdown hysteresis | | | 20 | | $^\circ\text{C}$ |
| D_{MAX} | Maximum duty cycle | | | 100% | | |
| T_{ON-MIN} | Minimum on-time | | | 50 | | ns |
| θ_{JA} | SIL0008A Package Thermal Resistance | 20mm x 20mm board 2 layers, 2 oz copper, 0.5W, no airflow | | 77 | | $^\circ\text{C/W}$ |
| | | 15mm x 15mm board 2 layers, 2 oz copper, 0.5W, no airflow | | 88 | | |
| | | 10mm x 10mm board 2 layers, 2 oz copper, 0.5W, no airflow | | 107 | | |

- (1) Min and Max limits are 100% production tested at 25°C . Limits over the operating temperature range are specified through correlation using Statistical Quality Control (SQC) methods. Limits are used to calculate the Average Outgoing Quality Level (AOQL).
- (2) Typical numbers are at 25°C and represent the most likely parametric norm.
- (3) Shutdown current includes leakage current of the high side PFET.
- (4) Current limit is built-in, fixed, and not adjustable.

6.6 System Characteristics

The following specifications are specified by design providing the component values in [Figure 8-1](#) are used ($C_{IN} = C_{OUT} = 10\ \mu\text{F}$, 6.3 V, 0603, TDK C1608X5R0J106K). These parameters are not specified by production testing. Unless otherwise stated the following conditions apply: $T_A = 25^\circ\text{C}$.

| PARAMETER | | TEST CONDITIONS | MIN | TYP | MAX | UNIT |
|--------------------------|--|---|-----|--------------|-----|------|
| $\Delta V_{OUT}/V_{OUT}$ | Output voltage regulation over line voltage and load current | $V_{OUT} = 0.6\text{ V}$ $\Delta V_{IN} = 2.7\text{ V to }4.2\text{ V}$ $\Delta I_{OUT} = 0\text{A to }1\text{A}$ | | $\pm 1.75\%$ | | |
| $\Delta V_{OUT}/V_{OUT}$ | Output voltage regulation over line voltage and load current | $V_{OUT} = 1.5\text{ V}$ $\Delta V_{IN} = 2.7\text{ V to }5.5\text{ V}$ $\Delta I_{OUT} = 0\text{A to }1\text{A}$ | | $\pm 0.92\%$ | | |

6.6 System Characteristics (continued)

The following specifications are specified by design providing the component values in [Figure 8-1](#) are used ($C_{IN} = C_{OUT} = 10 \mu\text{F}$, 6.3 V, 0603, TDK C1608X5R0J106K). These parameters are not specified by production testing. Unless otherwise stated the following conditions apply: $T_A = 25^\circ\text{C}$.

| PARAMETER | | TEST CONDITIONS | MIN | TYP | MAX | UNIT |
|--------------------------|--|---|-----|--------------|-----|---------------|
| $\Delta V_{OUT}/V_{OUT}$ | Output voltage regulation over line voltage and load current | $V_{OUT} = 3.6 \text{ V}$ $\Delta V_{IN} = 4.0 \text{ V to } 5.5 \text{ V}$ $\Delta I_{OUT} = 0 \text{ A to } 1 \text{ A}$ | | $\pm 0.38\%$ | | |
| VREF T_{RISE} | Rise time of reference voltage | EN = Low to High, $V_{IN} = 4.2 \text{ V}$ $V_{OUT} = 2.7 \text{ V}$, $I_{OUT} = 1 \text{ A}$ | | 10 | | μs |
| η | Peak efficiency | $V_{IN} = 5.0 \text{ V}$, $V_{OUT} = 3.3 \text{ V}$ $I_{OUT} = 200 \text{ mA}$ | | 95% | | |
| | Full load efficiency | $V_{IN} = 5.0 \text{ V}$, $V_{OUT} = 3.6 \text{ V}$ $I_{OUT} = 1000 \text{ mA}$ | | 91% | | |
| V_{OUT} Ripple | Output voltage ripple | $V_{IN} = 5.0 \text{ V}$, $V_{OUT} = 1.8 \text{ V}$ $I_{OUT} = 1000 \text{ mA}$ | | 10 | | mV pk-pk |
| Line Transient | Line transient response | $V_{IN} = 2.7 \text{ V to } 5.5 \text{ V}$, $T_R = T_F = 10 \mu\text{s}$, $V_{OUT} = 1.8 \text{ V}$, $I_{OUT} = 1000 \text{ mA}$ | | 30 | | mV pk-pk |
| Load Transient | Load transient response | $V_{IN} = 5.0 \text{ V}$ $T_R = T_F = 40 \mu\text{s}$, $V_{OUT} = 1.8 \text{ V}$ $I_{OUT} = 100 \text{ mA to } 1000 \text{ mA}$ | | 30 | | mV pk-pk |

6.7 Typical Characteristics

Unless otherwise specified the following conditions apply: $V_{IN} = 3.6\text{ V}$, $T_A = 25^\circ\text{C}$

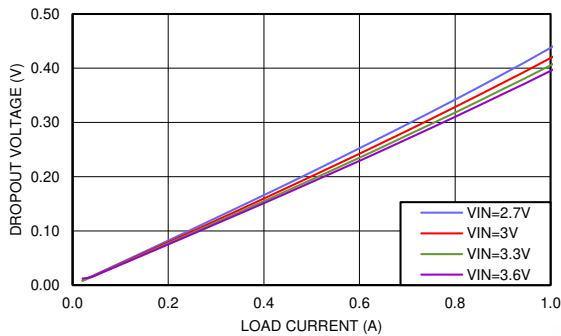


Figure 6-1. Dropout Voltage vs Load Current and Input Voltage, $T_A = 85^\circ\text{C}$

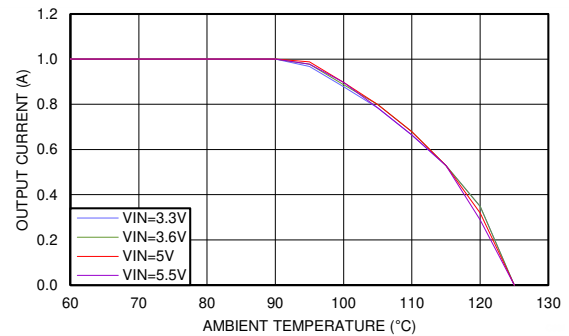


Figure 6-2. Thermal Derating $V_{OUT} = 1.2\text{ V}$, $\Theta_{JA} = 77^\circ\text{C/W}$

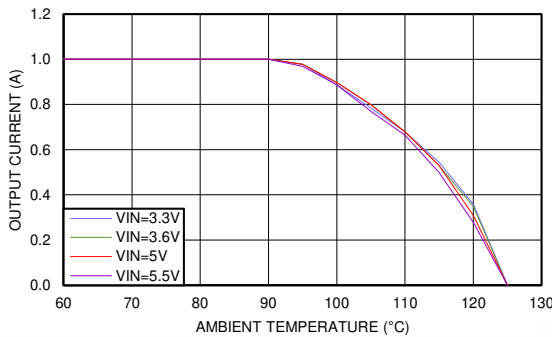


Figure 6-3. Thermal Derating $V_{OUT} = 1.8\text{ V}$, $\Theta_{JA} = 77^\circ\text{C/W}$

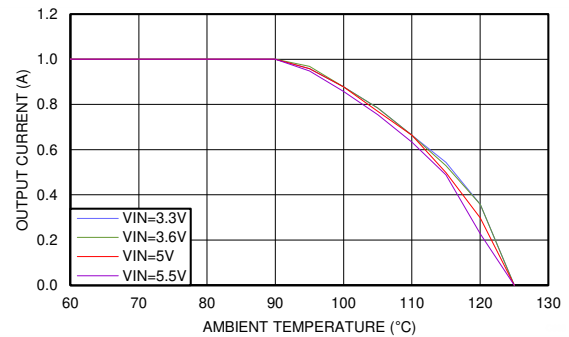


Figure 6-4. Thermal Derating $V_{OUT} = 2.5\text{ V}$, $\Theta_{JA} = 77^\circ\text{C/W}$

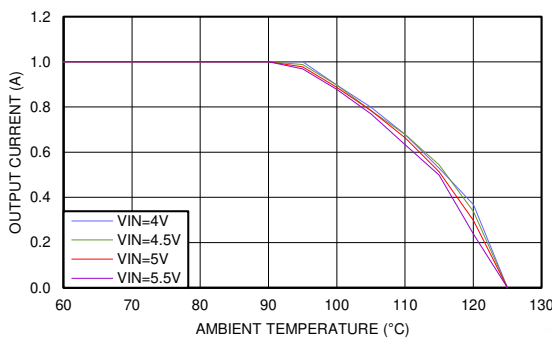


Figure 6-5. Thermal Derating $V_{OUT} = 3.3\text{ V}$, $\Theta_{JA} = 77^\circ\text{C/W}$

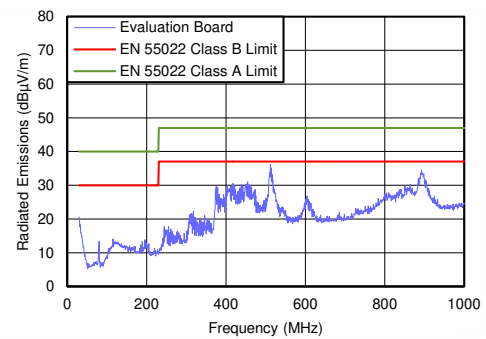


Figure 6-6. Radiated EMI (Cispr22) $V_{IN} = 5\text{ V}$, $V_{OUT} = 1.8\text{ V}$, $I_{OUT} = 1\text{-A}$ Default Evaluation Board BOM

6.7 Typical Characteristics (continued)

Unless otherwise specified the following conditions apply: $V_{IN} = 3.6\text{ V}$, $T_A = 25^\circ\text{C}$

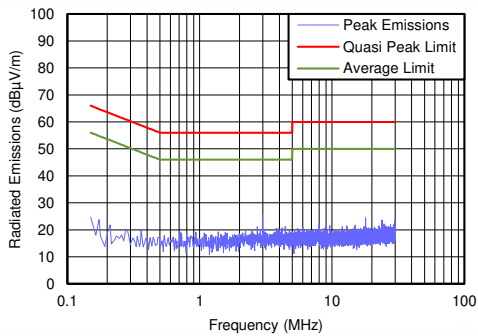


Figure 6-7. Conducted EMI $V_{IN} = 5.0\text{ V}$, $V_{OUT} = 1.8\text{ V}$, $I_{OUT} = 1\text{-A}$ Default Evaluation Board BOM with Additional 2.2- μh 1- μf LC Input Filter

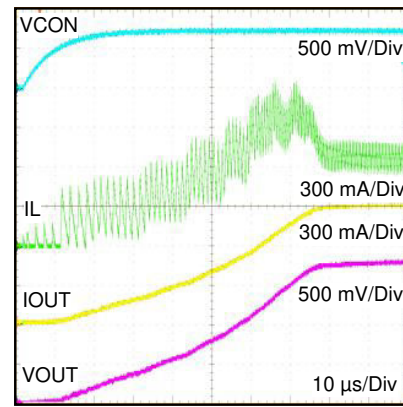


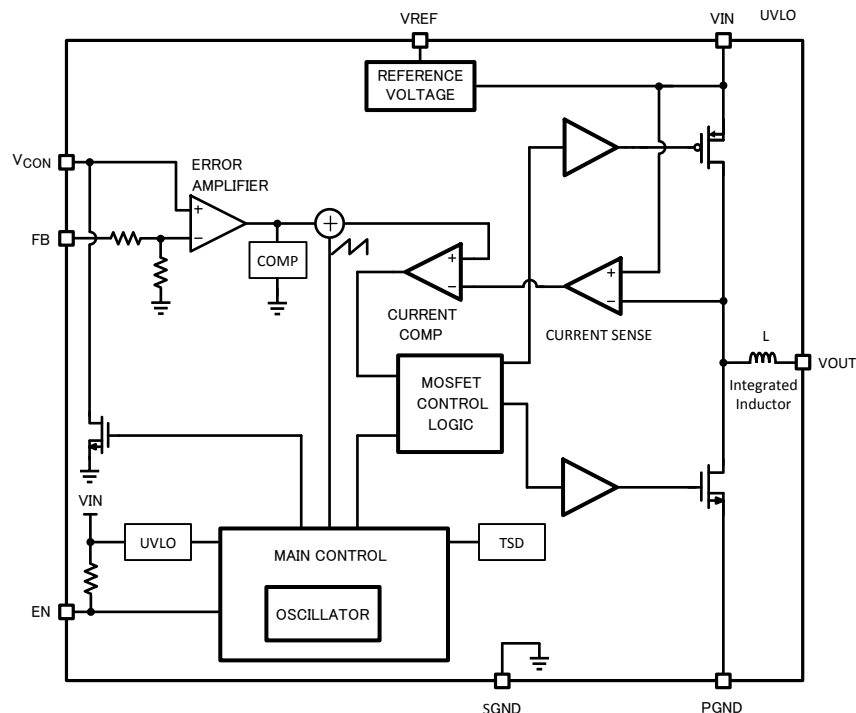
Figure 6-8. Startup

7 Detailed Description

7.1 Overview

The LMZ10501 SIMPLE SWITCHER® power converter nano module is an easy-to-use step-down DC-DC solution capable of driving up to 1A load in space-constrained applications. Only an input capacitor, an output capacitor, a small V_{CON} filter capacitor, and two resistors are required for basic operation. The nano module comes in 8-pin LLP footprint package with an integrated inductor. The LMZ10501 operates in fixed 2.0-MHz PWM (Pulse Width Modulation) mode, and is designed to deliver power at maximum efficiency. The output voltage is typically set by using a resistive divider between the built-in reference voltage V_{REF} and the control pin V_{CON} . The V_{CON} pin is the positive input to the error amplifier. The output voltage of the LMZ10501 can also be dynamically adjusted between 0.6 V and 3.6 V by driving the V_{CON} pin externally. Internal current limit based soft-start function, current overload protection, and thermal shutdown are also provided.

7.2 Functional Block Diagram



7.3 Feature Description

7.3.1 Current Limit

The LMZ10501 current limit feature protects the module during an overload condition. The circuit employs positive peak current limit in the PFET and negative peak current limit in the NFET switch. The positive peak current through the PFET is limited to 1.7A (typ.). When the current reaches this limit threshold the PFET switch is immediately turned off until the next switching cycle. This behavior continues on a cycle-by-cycle basis until the overload condition is removed from the output. The typical negative peak current limit through the NFET switch is -0.6A (typ.).

The ripple of the inductor current depends on the input and output voltages. This means that the DC level of the output current when the peak current limiting occurs will also vary over the line voltage and the output voltage level. Refer to the DC Output Current Limit plots in the [Typical Characteristics](#) section for more information.

7.3.2 Startup Behavior and Soft Start

The LMZ10501 features a current limit based soft start circuit in order to prevent large in-rush current and output overshoot as V_{OUT} is ramping up. This is achieved by gradually increasing the PFET current limit threshold

to the final operating value as the output voltage ramps during startup. The maximum allowed current in the inductor is stepped up in a staircase profile for a fixed number of switching periods in each step. Additionally, the switching frequency in the first step is set at 450kHz and is then increased for each of the following steps until it reaches 2MHz at the final step of current limiting. This current limiting behavior is illustrated in [Figure 7-1](#) and allows for a smooth V_{OUT} ramp up.

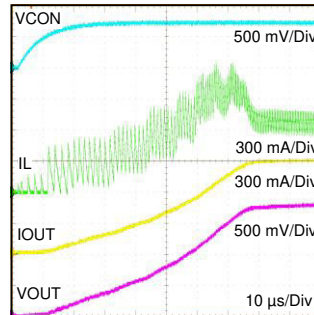


Figure 7-1. Startup Behavior of Current Limit Based Softstart.

The soft start rate is also limited by the V_{CON} ramp up rate. The V_{CON} pin is discharged internally through a pull down device before startup occurs. This is done to deplete any residual charge on the V_{CON} filter capacitor and allow the V_{CON} voltage to ramp up from 0V when the part is started. The events that cause V_{CON} discharge are thermal shutdown, UVLO, EN low, or output short circuit detection. The minimum recommended capacitance on V_{CON} is 220pF and the maximum is 1nF. The duration of startup current limiting sequence takes approximately 75 μ s. After the sequence is completed, the feedback voltage is monitored for output short circuit events.

7.3.3 Output Short Circuit Protection

In addition to cycle by cycle current limit, the LMZ10501 features a second level of short circuit protection. If the load pulls the output voltage down and the feedback voltage falls to 0.375 V, the output short circuit protection will engage. In this mode the internal PFET switch is turned OFF after the current limit comparator trips and the beginning of the next cycle is inhibited for approximately 230 μ s. This forces the inductor current to ramp down and limits excessive current draw from the input supply when the output of the regulator is shorted. The synchronous rectifier is always OFF in this mode. After 230 μ s of non-switching a new startup sequence is initiated. During this new startup sequence the current limit is gradually stepped up to the nominal value as illustrated in the [Section 7.3.2](#) section. After the startup sequence is completed again, the feedback voltage is monitored for output short circuit. If the short circuit is still persistent after the new startup sequence, switching will be stopped again and there will be another 230- μ s off period. A persistent output short condition results in a hiccup behavior where the LMZ10501 goes through the normal startup sequence, then detects the output short at the end of startup, terminates switching for 230 μ s, and repeats this cycle until the output short is released. This behavior is illustrated in [Figure 7-2](#).

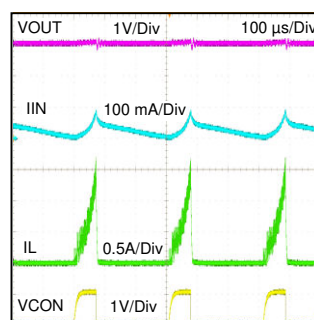


Figure 7-2. Hiccup Behavior with Persistent Output Short Circuit.

Because the output current is limited during normal startup by the softstart function, the current charging the output capacitor is also limited. This results in a smooth V_{OUT} ramp up to nominal voltage. However, using

excessively large output capacitance or V_{CON} capacitance under normal conditions can prevent the output voltage from reaching 0.375 V at the end of the startup sequence. In such cases the module will maintain the described above hiccup mode and the output voltage will not ramp up to final value. To cause this condition, one can have to use unnecessarily large output capacitance for 1A load applications. See the [Section 8.2.2.5](#) section for guidance on maximum capacitances for different output voltage settings.

7.3.4 Thermal Overload Protection

The junction temperature of the LMZ10501 must not be allowed to exceed its maximum operating rating of 125°C. Thermal protection is implemented by an internal thermal shutdown circuit which activates at 150°C (typ). When this temperature is reached, the device enters a low power standby state. In this state switching remains off causing the output voltage to fall. Also, the V_{CON} capacitor is discharged to SGND. When the junction temperature falls back below 130°C (typ) normal startup occurs and V_{OUT} rises smoothly from 0V. Applications requiring maximum output current can require derating at elevated ambient temperature. See the [Section 6.7](#) section for thermal derating plots for various output voltages.

7.4 Device Functional Modes

7.4.1 Circuit Operation

The LMZ10501 is a synchronous Buck power module using a PFET for the high side switch and an NFET for the synchronous rectifier switch. The output voltage is regulated by modulating the PFET switch on-time. The circuit generates a duty-cycle modulated rectangular signal. The rectangular signal is averaged using a low pass filter formed by the integrated inductor and an output capacitor. The output voltage is equal to the average of the duty-cycle modulated rectangular signal. In PWM mode, the switching frequency is constant. The energy per cycle to the load is controlled by modulating the PFET on-time, which controls the peak inductor current. In current mode control architecture, the inductor current is compared with the slope compensated output of the error amplifier. At the rising edge of the clock, the PFET is turned ON, ramping up the inductor current with a slope of $(V_{IN} - V_{OUT})/L$. The PFET is ON until the current signal equals the error signal. Then the PFET is turned OFF and NFET is turned ON, ramping down the inductor current with a slope of V_{OUT}/L . At the next rising edge of the clock, the cycle repeats. An increase of load pulls the output voltage down, resulting in an increase of the error signal. As the error signal goes up, the peak inductor current is increased, elevating the average inductor current and responding to the heavier load. To specify stability, a slope compensation ramp is subtracted from the error signal and internal loop compensation is provided.

7.4.2 Input Under Voltage Detection

The LMZ10501 implements an under voltage lock out (UVLO) circuit to specify proper operation during startup, shutdown and input supply brownout conditions. The circuit monitors the voltage at the V_{IN} pin to specify that sufficient voltage is present to bias the regulator. If the under voltage threshold is not met, all functions of the controller are disabled and the controller remains in a low power standby state.

7.4.3 Shutdown Mode

To shutdown the LMZ10501, pull the EN pin low (< 0.5 V). In the shutdown mode all internal circuits are turned OFF.

7.4.4 EN Pin Operation

The EN pin is internally pulled up to V_{IN} through a 790-k Ω (typical) resistor. This allows the nano module to be enabled by default when the EN pin is left floating. In such cases V_{IN} will set EN high when V_{IN} reaches 1.2 V. As the input voltage continues to rise, operation will start after V_{IN} exceeds the under-voltage lockout (UVLO) threshold. To set EN high externally, pull it up to 1.2 V or higher. Note that the voltage on EN must remain at less than $V_{IN} + 0.2$ V due to absolute maximum ratings of the device.

7.4.5 Internal Synchronous Rectification

The LMZ10501 uses an internal NFET as a synchronous rectifier to minimize the switch voltage drop and increase efficiency. The NFET is designed to conduct through its intrinsic body diode during the built-in dead time between the PFET on-time and the NFET on-time. This eliminates the need for an external diode. The

dead time between the PFET and NFET connection prevents shoot through current from V_{IN} to PGND during the switching transitions.

7.4.6 High Duty Cycle Operation

The LMZ10501 features a transition mode designed to extend the output regulation range to the minimum possible input voltage. As the input voltage decreases closer and closer to V_{OUT} , the off-time of the PFET gets smaller and smaller and the duty cycle eventually must reach 100% to support the output voltage. The input voltage at which the duty cycle reaches 100% is the edge of regulation. When the LMZ10501 input voltage is lowered, such that the off-time of the PFET reduces to less than 35ns, the LMZ10501 doubles the switching period to extend the off-time for that V_{IN} and maintain regulation. If V_{IN} is lowered even more, the off-time of the PFET will reach the 35ns mark again. The LMZ10501 will then reduce the frequency again, achieving less than 100% duty cycle operation and maintaining regulation. As V_{IN} is lowered even more, the LMZ10501 will continue to scale down the frequency, aiming to maintain at least 35ns off time. Eventually, as the input voltage decreases further, 100% duty cycle is reached. This behavior of extending the V_{IN} regulation range is illustrated in [Figure 7-3](#).

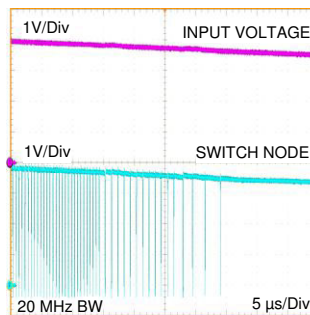


Figure 7-3. High Duty Cycle Operation and Switching Frequency Reduction

8 Application and Implementation

Note

Information in the following applications sections is not part of the TI component specification, and TI does not warrant its accuracy or completeness. TI's customers are responsible for determining suitability of components for their purposes, as well as validating and testing their design implementation to confirm system functionality.

8.1 Application Information

This section describes a simple design procedure. Alternatively, WEBENCH® can be used to create and simulate a design using the LMZ10501. The WEBENCH® tool can be accessed from the LMZ10501 product folder at <http://www.ti.com/product/lmz10501>. For designs with typical output voltages (1.2 V, 1.8 V, 2.5 V, 3.3 V), jump to the [Application Curves](#) section for quick reference designs.

8.2 Typical Application

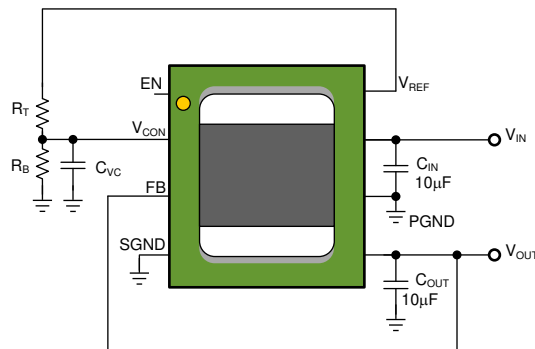


Figure 8-1. Typical Application Circuit

8.2.1 Design Requirements

The detailed design procedure is based on the required input and output voltage specifications for the design. The input voltage range of the LMZ10501 is 2.7V to 5.5V. The output voltage range is 0.6V to 3.6V. The output current capability is 1A.

8.2.2 Detailed Design Procedure

8.2.2.1 Custom Design With WEBENCH® Tools

[Click here](#) to create a custom design using the LMZ10501 device with the WEBENCH® Power Designer.

1. Start by entering the input voltage (V_{IN}), output voltage (V_{OUT}), and output current (I_{OUT}) requirements.
2. Optimize the design for key parameters such as efficiency, footprint, and cost using the optimizer dial.
3. Compare the generated design with other possible solutions from Texas Instruments.

The WEBENCH Power Designer provides a customized schematic along with a list of materials with real-time pricing and component availability.

In most cases, these actions are available:

- Run electrical simulations to see important waveforms and circuit performance
- Run thermal simulations to understand board thermal performance
- Export customized schematic and layout into popular CAD formats
- Print PDF reports for the design, and share the design with colleagues

8.2.2.2 Setting The Output Voltage

The LMZ10501 provides a fixed 2.35-V V_{REF} voltage output. As shown in [Figure 8-1](#) above, a resistive divider formed by R_T and R_B sets the V_{CON} pin voltage level. The V_{OUT} voltage tracks V_{CON} and is governed by the following relationship:

$$V_{OUT} = GAIN \times V_{CON} \quad (1)$$

where GAIN is 2.5 V/V from V_{CON} to V_{FB}

This equation is valid for output voltages between 0.6 V and 3.6 V and corresponds to V_{CON} voltage between 0.24 V and 1.44 V, respectively.

8.2.2.2.1 R_T And R_B Selection For Fixed V_{OUT}

The parameters affecting the output voltage setting are the R_T , R_B , and the product of the V_{REF} voltage \times GAIN. The V_{REF} voltage is typically 2.35V. Because V_{CON} is derived from V_{REF} through R_T and R_B ,

$$V_{CON} = V_{REF} \times R_B / (R_B + R_T) \quad (2)$$

After substitution,

$$V_{OUT} = V_{REF} \times GAIN \times R_B / (R_B + R_T) \quad (3)$$

$$R_T = (GAIN \times V_{REF} / V_{OUT} - 1) \times R_B \quad (4)$$

The ideal product of $GAIN \times V_{REF} = 5.875$ V.

Choose R_T to be between 80k Ω and 300k Ω . Then, R_B can be calculated using [Equation 5](#) below.

$$R_B = (V_{OUT} / (5.875 \text{ V} - V_{OUT})) \times R_T \quad (5)$$

Note that the resistance of R_T must be ≥ 80 k Ω . This ensures that the V_{REF} output current loading is not exceeded and the reference voltage is maintained. The current loading on V_{REF} must not be greater than 30 μ A.

8.2.2.2.2 Output Voltage Accuracy Optimization

Each nano module is optimized to achieve high V_{OUT} accuracy. [Equation 1](#) shows that, by design, the output voltage is a function of the V_{CON} voltage and the gain from V_{CON} to V_{FB} . The voltage at V_{CON} is derived from V_{REF} . Therefore, as shown in [Equation 3](#), the accuracy of the output voltage is a function of the $V_{REF} \times$ GAIN product as well as the tolerance of the R_T and R_B resistors. The typical $V_{REF} \times$ GAIN product by design is 5.875 V. Each nano module's V_{REF} voltage is trimmed so that this product is as close to the ideal 5.875 V value as possible, achieving high V_{OUT} accuracy. See the [Features Description](#) section for the $V_{REF} \times$ GAIN product tolerance limits.

8.2.2.3 Dynamic Output Voltage Scaling

The V_{CON} pin on the LMZ10501 can be driven externally by a DAC to scale the output voltage dynamically. The output voltage $V_{OUT} = 2.5$ V/V \times V_{CON} . When driving V_{CON} with a source different than V_{REF} place a 1.5k Ω resistor in series with the V_{CON} pin. Current limiting the external V_{CON} helps to protect this pin and allows the V_{CON} capacitor to be fully discharged to 0V after fault conditions.

8.2.2.4 Integrated Inductor

The LMZ10501 includes an inductor with over 1.2A DC current rating and soft saturation profile for up to 2A. This inductor allows for low package height and provides an easy to use, compact solution with reduced EMI.

8.2.2.5 Input And Output Capacitor Selection

The LMZ10501 is designed for use with low ESR multi-layer ceramic capacitors (MLCC) for its input and output filters. Using a 10 μ F 0603 or 0805 with 6.3V or 10V rating ceramic input capacitor typically provides sufficient V_{IN} bypass. Use of multiple 4.7 μ F or 2.2 μ F capacitors can also be considered. Ceramic capacitors with X5R

and X7R temperature characteristics are recommended for both input and output filters. These provide an optimal balance between small size, cost, reliability, and performance for space sensitive applications.

The DC voltage bias characteristics of the capacitors must be considered when selecting the DC voltage rating and case size of these components. The effective capacitance of an MLCC is typically reduced by the DC voltage bias applied across its terminals. For example, a typical 0805 case size X5R 6.3 V 10 μ F ceramic capacitor can only have 4.8 μ F left in it when a 5.0-V DC bias is applied. Similarly, a typical 0603 case size X5R 6.3V 10 μ F ceramic capacitor can only have 2.4 μ F at the same 5.0V DC. Smaller case size capacitors can have even larger percentage drop in value with DC bias.

The optimum output capacitance value is application dependent. Too small output capacitance can lead to instability due to lower loop phase margin. On the other hand, if the output capacitor is too large, it can prevent the output voltage from reaching the 0.375 V required voltage level at the end of the startup sequence. In such cases, the output short circuit protection can be engaged and the nano module will enter a hiccup mode as described in the [Section 7.3.3](#) section. [Table 8-1](#) sets the minimum output capacitance for stability and maximum output capacitance for proper startup for various output voltage settings. Note that the maximum C_{OUT} value in [Table 8-1](#) assumes that the filter capacitance on V_{CON} is the maximum recommended value of 1nF and the R_T resistor value is less than 300k Ω . Lower V_{CON} capacitance can extend the maximum C_{OUT} range. There is no great performance benefit in using excessive C_{OUT} values.

Table 8-1. Output Capacitance Range

| OUTPUT VOLTAGE | MINIMUM C _{OUT} | SUGGESTED C _{OUT} | MAXIMUM C _{OUT} |
|----------------|-----------------------------|-------------------------------|-----------------------------|
| 0.6 V | 4.7 μ F | 10 μ F | 47 μ F |
| 1 V | 3.3 μ F | 10 μ F | 47 μ F |
| 1.2 V | 3.3 μ F | 10 μ F | 47 μ F |
| 1.8 V | 3.3 μ F | 10 μ F | 68 μ F |
| 2.5 V | 3.3 μ F | 10 μ F | 100 μ F |
| 3.3 V | 3.3 μ F | 10 μ F | 100 μ F |

Use of multiple 4.7- μ F or 2.2- μ F output capacitors can be considered for reduced effective ESR and smaller output voltage ripple. In addition to the main output capacitor, small 0.1- μ F – 0.01- μ F parallel capacitors can be used to reduce high frequency noise.

8.2.3 Application Curves

8.2.3.1 $V_{OUT} = 1.2\text{ V}$

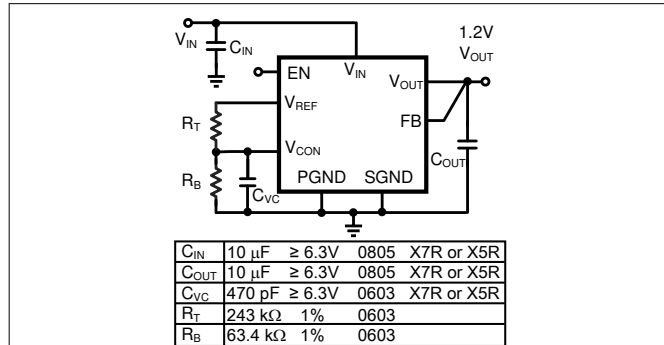


Figure 8-2. Schematic $V_{OUT} = 1.2\text{ V}$

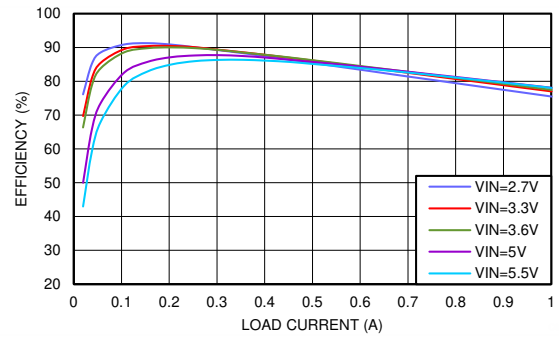


Figure 8-3. Efficiency $V_{OUT} = 1.2\text{ V}$

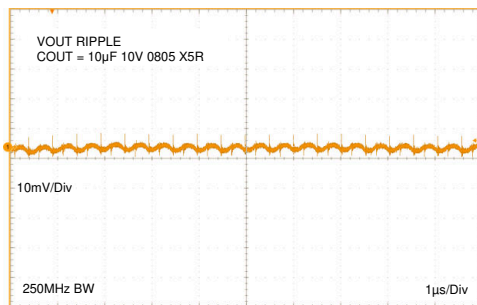


Figure 8-4. Output Ripple $V_{OUT} = 1.2\text{ V}$

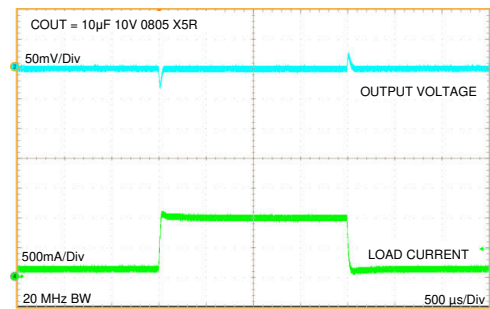


Figure 8-5. Load Transient $V_{OUT} = 1.2\text{ V}$

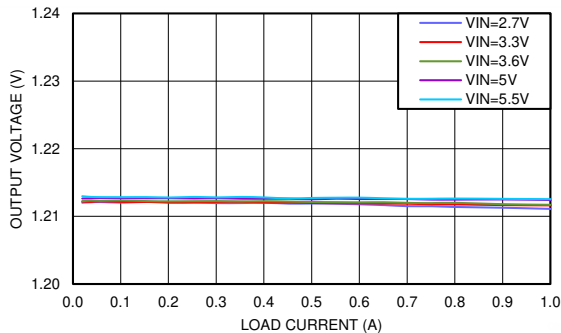


Figure 8-6. Line and Load Regulation $V_{OUT} = 1.2\text{ V}$

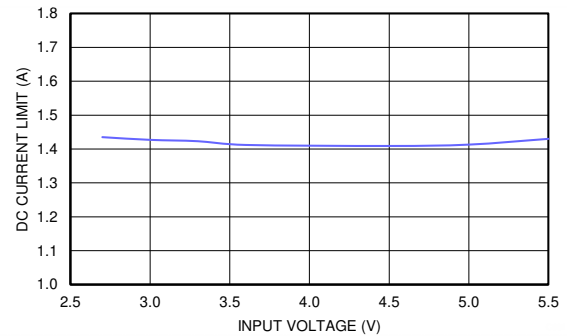


Figure 8-7. DC Current Limit $V_{OUT} = 1.2\text{ V}$, $T_A = 85^\circ\text{C}$

8.2.3.2 $V_{OUT} = 1.8\text{ V}$

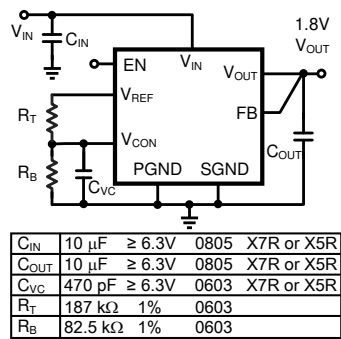


Figure 8-8. Schematic $V_{OUT} = 1.8\text{ V}$

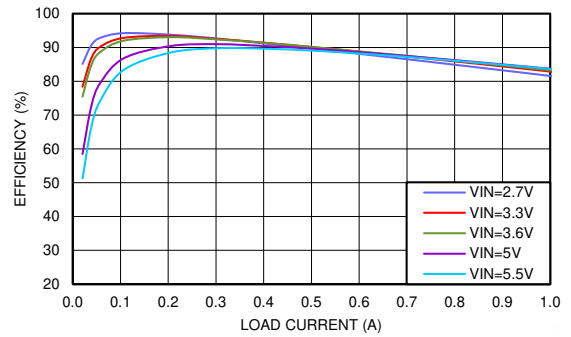


Figure 8-9. Efficiency $V_{OUT} = 1.8\text{ V}$

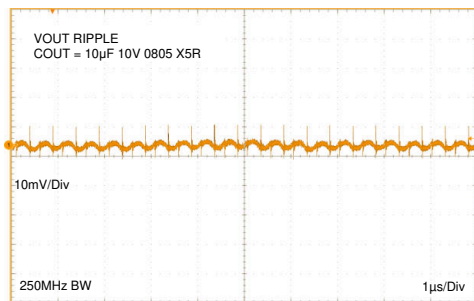


Figure 8-10. Output Ripple $V_{OUT} = 1.8\text{ V}$

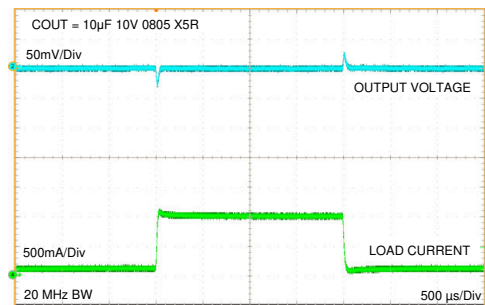


Figure 8-11. Load Transient $V_{OUT} = 1.8\text{ V}$

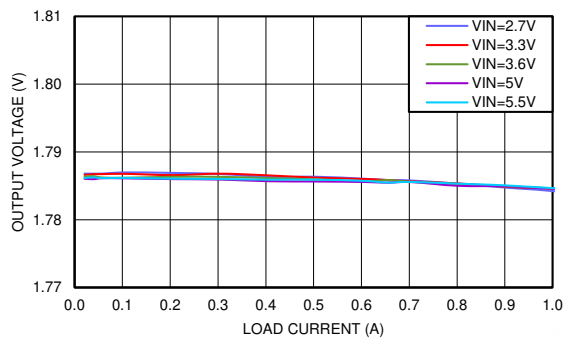


Figure 8-12. Line and Load Regulation $V_{OUT} = 1.8\text{ V}$

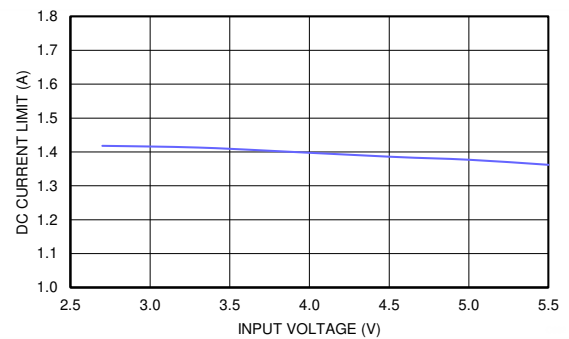


Figure 8-13. DC Current Limit $V_{OUT} = 1.8\text{ V}$, $T_A = 85^\circ\text{C}$

8.2.3.3 $V_{OUT} = 2.5\text{ V}$

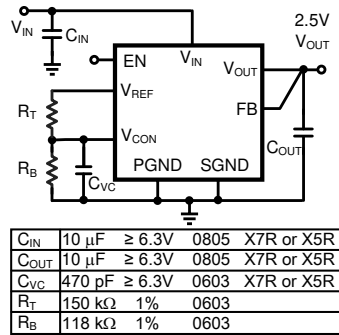


Figure 8-14. Schematic $V_{OUT} = 2.5\text{ V}$

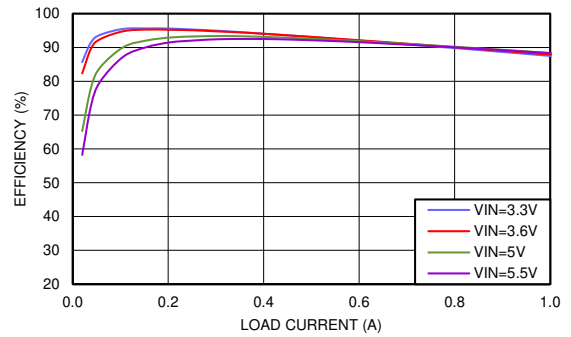


Figure 8-15. Efficiency $V_{OUT} = 2.5\text{ V}$

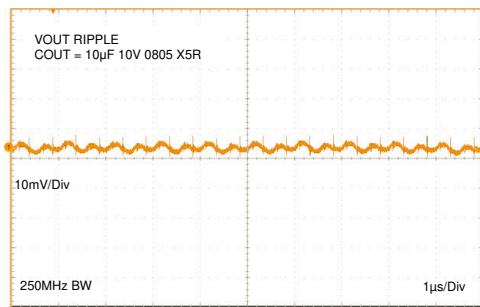


Figure 8-16. Output Ripple $V_{OUT} = 2.5\text{ V}$

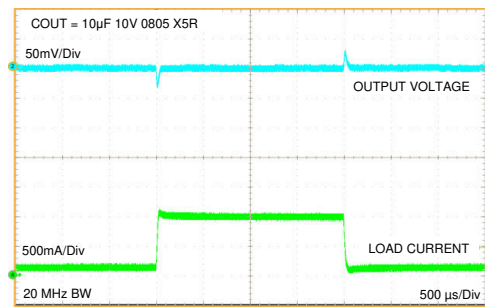


Figure 8-17. Load Transient $V_{OUT} = 2.5\text{ V}$

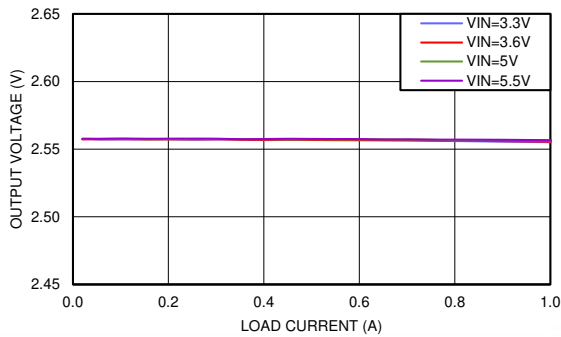


Figure 8-18. Line and Load Regulation $V_{OUT} = 2.5\text{ V}$

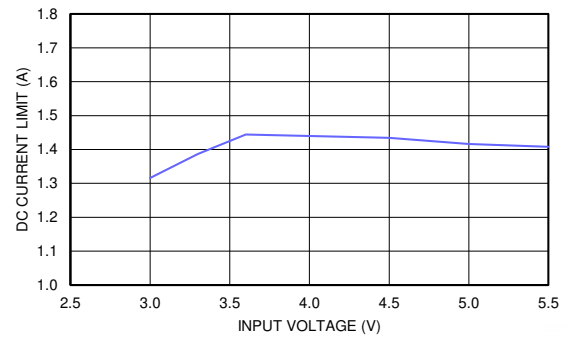


Figure 8-19. DC Current Limit $V_{OUT} = 2.5\text{ V}$, $T_A = 85^\circ\text{C}$

8.2.3.4 $V_{OUT} = 3.3\text{ V}$

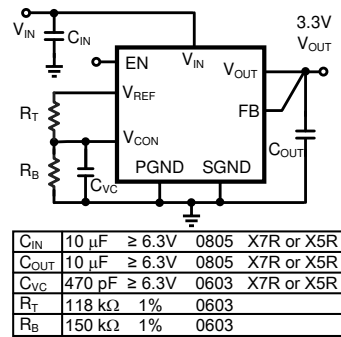


Figure 8-20. Schematic $V_{OUT} = 3.3\text{ V}$

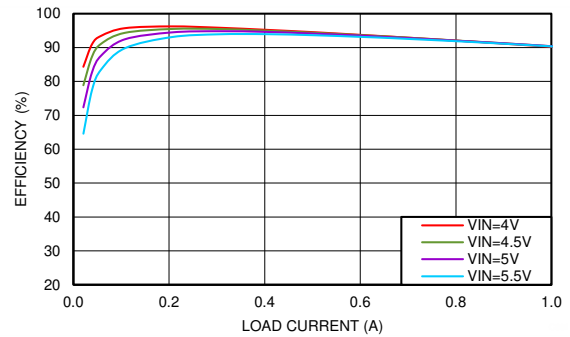


Figure 8-21. Efficiency $V_{OUT} = 3.3\text{ V}$

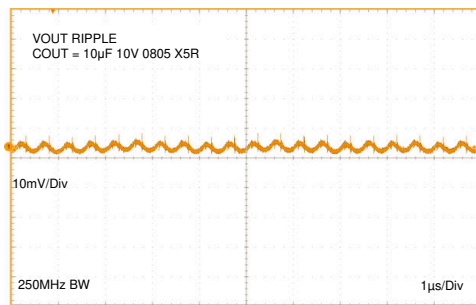


Figure 8-22. Output Ripple $V_{OUT} = 3.3\text{ V}$

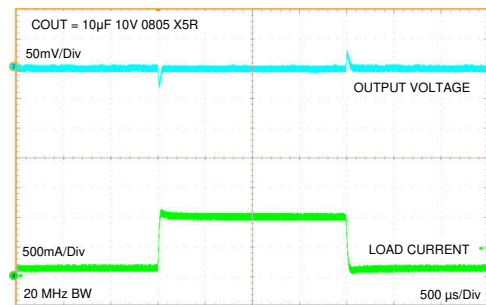


Figure 8-23. Load Transient $V_{OUT} = 3.3\text{ V}$

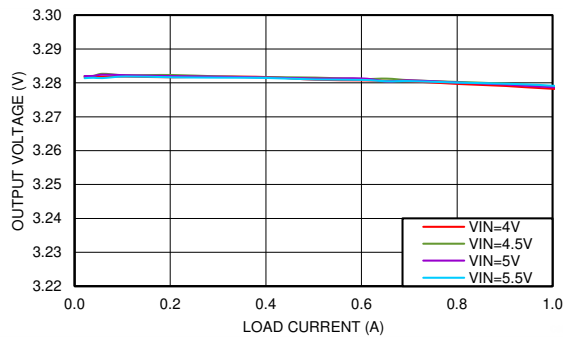


Figure 8-24. Line and Load Regulation $V_{OUT} = 3.3\text{ V}$

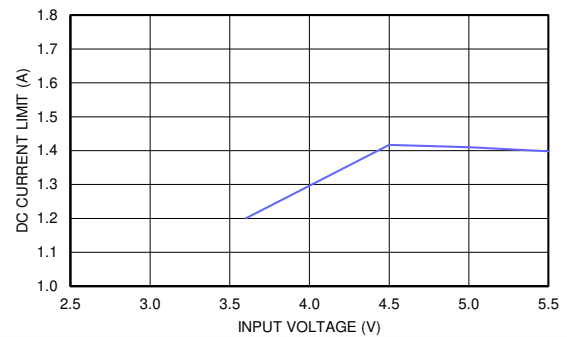


Figure 8-25. DC Current Limit $V_{OUT} = 3.3\text{ V}$, $T_A = 85^\circ\text{C}$

8.3 Power Supply Recommendations

8.3.1 Voltage Range

The voltage of the input supply must not exceed the [Section 6.1](#) and the [Section 6.3](#) of the LMZ10501.

8.3.2 Current Capability

The input supply must be able to supply the required input current to the LMZ10501 converter. The required input current depends on the application's minimum required input voltage (V_{IN-MIN}), the required output power ($V_{OUT} \times I_{OUT-MAX}$), and the converter efficiency (η).

$$I_{IN} = V_{OUT} \times I_{OUT-MAX} / (V_{IN-MIN} \times \eta) \quad (6)$$

For example, for a design with 5-V minimum input voltage, 1.8-V output, and 1-A maximum load, considering 82% conversion efficiency, the required input current at steady state is 0.439 A.

8.3.3 Input Connection

Long input connection cables can cause issues with the normal operation of any buck converter.

8.3.3.1 Voltage Drops

Using long input wires to connect the supply to the input of any converter adds impedance in series with the input supply. This impedance can cause a voltage drop at the VIN pin of the converter when the output of the converter is loaded. If the input voltage is near the minimum operating voltage, this added voltage drop can cause the converter to drop out or reset. If long wires are used during testing, it is recommended to add some bulk (i.e. electrolytic) capacitance at the input of the converter.

8.3.3.2 Stability

The added inductance of long input cables together with the ceramic (and low ESR) input capacitor can result in an under damped RLC network at the input of the Buck converter. This can cause oscillations on the input and instability. If long wires are used, it is recommended to add some electrolytic capacitance in parallel with the ceramic input capacitor. The electrolytic capacitor's ESR will improve the damping.

Use an electrolytic capacitor with $C_{\text{ELECTROLYTIC}} \geq 4 \times C_{\text{CERAMIC}}$ and $\text{ESR}_{\text{ELECTROLYTIC}} \approx \sqrt{L_{\text{CABLE}} / C_{\text{CERAMIC}}}$

For example, two cables (one for VIN and one for GND), each 1 meter (~3 ft) long with ~1 mm diameter (18AWG), placed 1cm (~0.4 in) apart will form a rectangular loop resulting in about 1.2µH of inductance. The inductance in this example can be decreased to almost half if the input wires are twisted. Based on a 10µF ceramic input capacitor, the recommended parallel $C_{\text{ELECTROLYTIC}}$ is $\geq 40 \mu\text{F}$. Using a 47-µF capacitor will be sufficient. The recommended $\text{ESR}_{\text{ELECTROLYTIC}} \approx 0.35\Omega$ or larger, based on about 1.2 µH of inductance and 10 µF of ceramic input capacitance.

See application note [SNVA489](#) for more details on input filter design.

8.4 Layout

8.4.1 Layout Guidelines

The board layout of any DC/DC switching converter is critical for the optimal performance of the design. Bad PCB layout design can disrupt the operation of an otherwise good schematic design. Even if the regulator still converts the voltage properly, the board layout can mean the difference between passing or failing EMI regulations. In a Buck converter, the most critical board layout path is between the input capacitor ground terminal and the synchronous rectifier ground. The loop formed by the input capacitor and the power FETs is a path for the high di/dt switching current during each switching period. This loop must always be kept as short as possible when laying out a board for any buck converter.

The LMZ10501 integrates the inductor and simplifies the DC/DC converter board layout. Refer to the example layout in [Figure 8-26](#). There are a few basic requirements to achieve a good LMZ10501 layout.

1. Place the input capacitor C_{IN} as close as possible to the V_{IN} and PGND pins. V_{IN} (pin 7) and PGND (pin 6) on the LMZ10501 are next to each other which makes the input capacitor placement simple.
2. Place the V_{CON} filter capacitor C_{VC} and the R_{B} R_{T} resistive divider as close as possible to the V_{CON} and SGND pins. The C_{VC} capacitor (not R_{B}) must be the component closer to the V_{CON} pin, as shown in [Figure 8-26](#). This allows for better bypass of the control voltage set at V_{CON} .
3. Run the feedback trace (from V_{OUT} to FB) away from noise sources.
4. Connect SGND to a quiet GND plane.
5. Provide enough PCB area for proper heat sinking. Refer to the [Electrical Characteristics](#) table for example θ_{JA} values for different board areas. Also, refer to AN-2020 for additional thermal design hints.

Refer to the evaluation board user's guide [LMZ10501SIL and LMZ10500SIL SIMPLE SWITCHER® Nano Module Evaluation Board](#) for a complete board layout example.

8.4.2 Layout Example

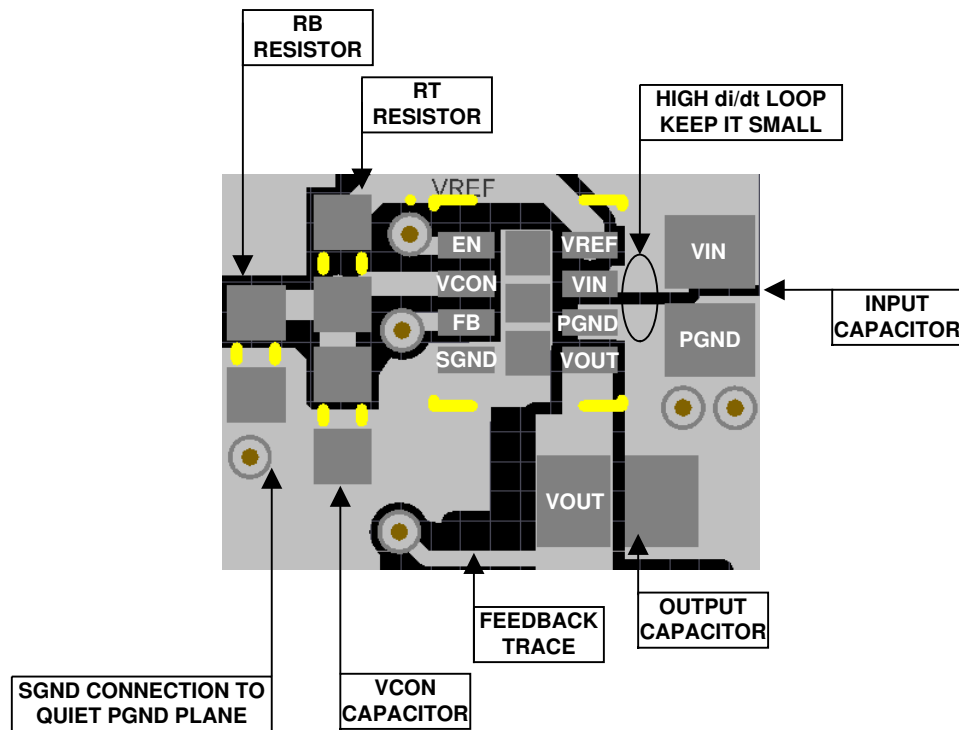


Figure 8-26. Example Top Layer Board Layout

8.4.3 Package Considerations

Use the following recommendations when using machine placement :

- Use 1.06 mm (42mil) or smaller nozzle size. The pick up area is the top of the inductor which is 1.6 mm × 2 mm.
- Soft tip pick and place nozzle is recommended.
- Add 0.05 mm to the component thickness so that the device will be released 0.05 mm (2 mil) into the solder paste without putting pressure or splashing the solder paste.
- Slow the pick arm when picking the part from the tape and reel carrier and when depositing the IC on the board.
- If the machine releases the component by force, use minimum force or no more than 3 Newtons.

For manual placement:

- Use a vacuum pick up hand tool with soft tip head.
- If vacuum pick up tool is not available, use non-metal tweezers and hold the part by sides.
- Use minimal force when picking and placing the module on the board.
- Using hot air station provides better temperature control and better controlled air flow than a heat gun.
- Go to the video section at www.ti.com/product/lmz10501 for a quick video on how to solder rework the LMZ10501.

9 Device and Documentation Support

9.1 Device Support

9.1.1 Custom Design With WEBENCH® Tools

[Click here](#) to create a custom design using the LMZ10501 device with the WEBENCH® Power Designer.

1. Start by entering the input voltage (V_{IN}), output voltage (V_{OUT}), and output current (I_{OUT}) requirements.
2. Optimize the design for key parameters such as efficiency, footprint, and cost using the optimizer dial.
3. Compare the generated design with other possible solutions from Texas Instruments.

The WEBENCH Power Designer provides a customized schematic along with a list of materials with real-time pricing and component availability.

In most cases, these actions are available:

- Run electrical simulations to see important waveforms and circuit performance
- Run thermal simulations to understand board thermal performance
- Export customized schematic and layout into popular CAD formats
- Print PDF reports for the design, and share the design with colleagues

Get more information about WEBENCH tools at www.ti.com/WEBENCH.

9.2 Documentation Support

9.2.1 Related Documentation

- Texas Instruments, [AN-2162 Simple Success With Conducted EMI From DC-DC Converters application report](#)
- Texas Instruments, [LMZ10501SIL and LMZ10500SIL SIMPLE SWITCHER® Nano Module Evaluation Board user's guide](#)

9.3 Receiving Notification of Documentation Updates

To receive notification of documentation updates, navigate to the device product folder on ti.com. Click on *Subscribe to updates* to register and receive a weekly digest of any product information that has changed. For change details, review the revision history included in any revised document.

9.4 Support Resources

[TI E2E™ support forums](#) are an engineer's go-to source for fast, verified answers and design help — straight from the experts. Search existing answers or ask your own question to get the quick design help you need.

Linked content is provided "AS IS" by the respective contributors. They do not constitute TI specifications and do not necessarily reflect TI's views; see TI's [Terms of Use](#).

9.5 Trademarks

TI E2E™ is a trademark of Texas Instruments.

WEBENCH® and SIMPLE SWITCHER® are registered trademarks of Texas Instruments.

All trademarks are the property of their respective owners.

9.6 Electrostatic Discharge Caution



This integrated circuit can be damaged by ESD. Texas Instruments recommends that all integrated circuits be handled with appropriate precautions. Failure to observe proper handling and installation procedures can cause damage.

ESD damage can range from subtle performance degradation to complete device failure. Precision integrated circuits may be more susceptible to damage because very small parametric changes could cause the device not to meet its published specifications.

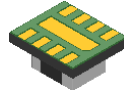
9.7 Glossary

[TI Glossary](#) This glossary lists and explains terms, acronyms, and definitions.

10 Mechanical, Packaging, and Orderable Information

The following pages include mechanical, packaging, and orderable information. This information is the most current data available for the designated devices. This data is subject to change without notice and revision of this document. For browser-based versions of this data sheet, refer to the left-hand navigation.

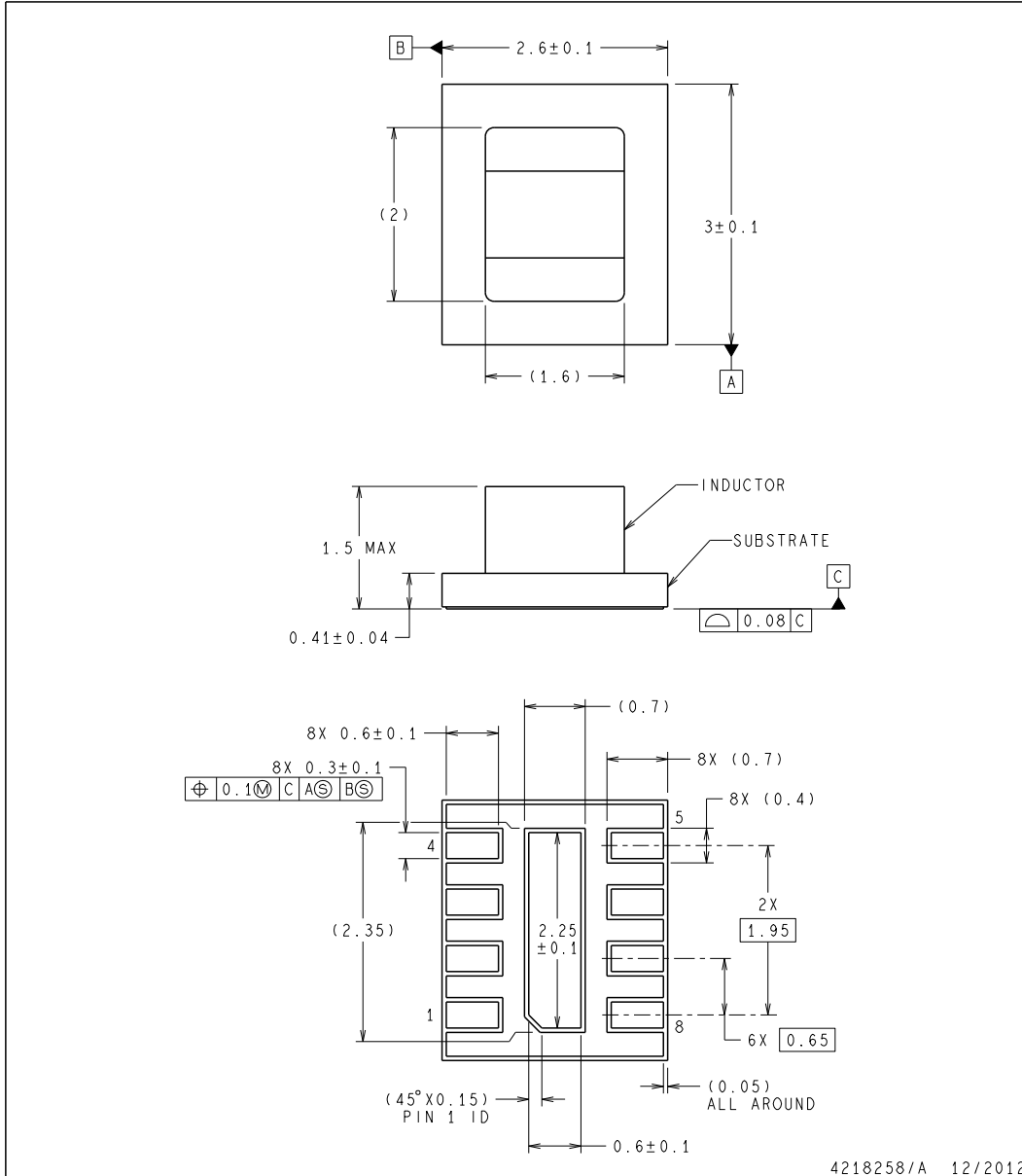
MECHANICAL DATA



SIL0008A

MicroSiP - 1.5mm max height

SYSTEM IN PACKAGE



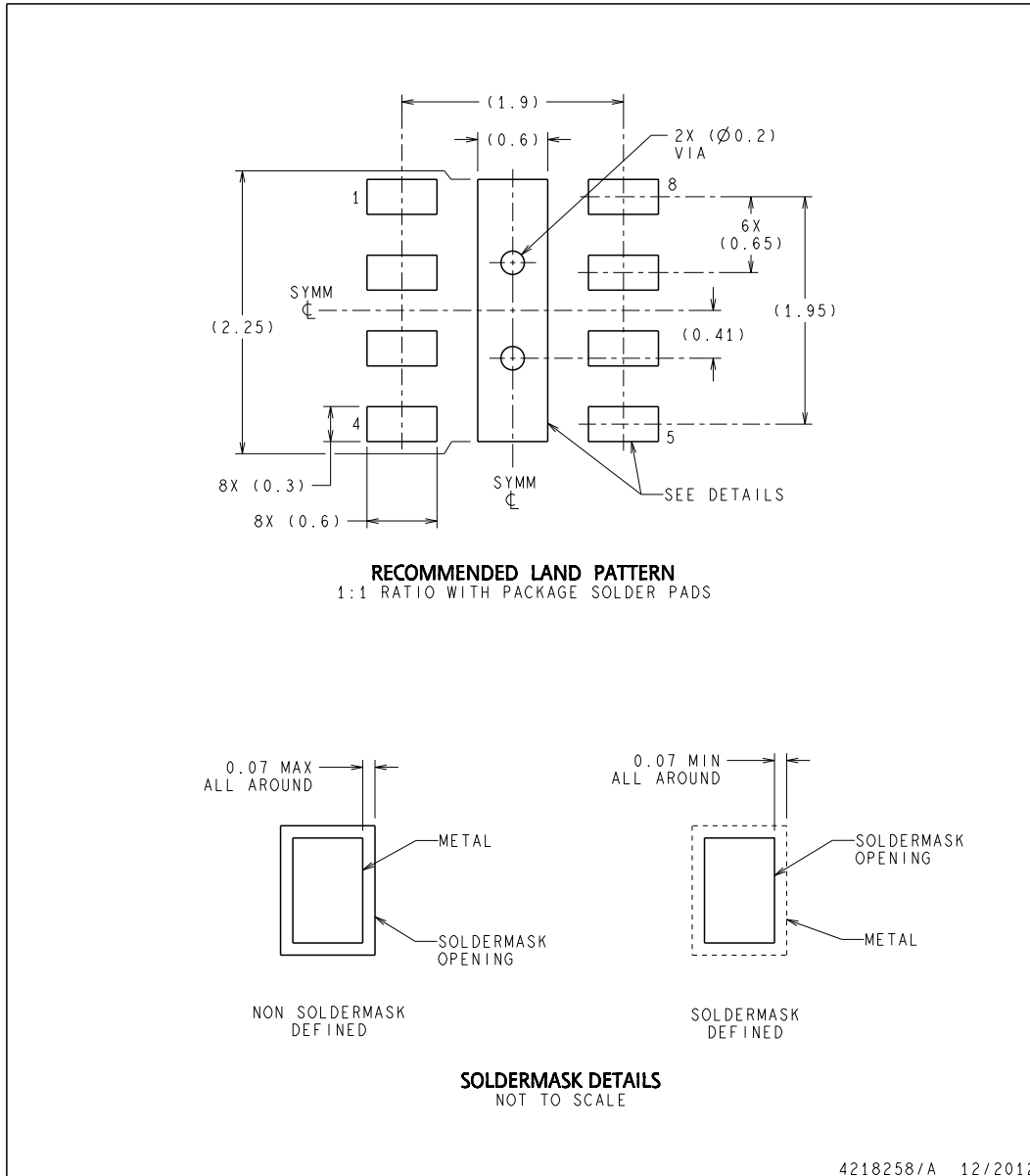
- NOTES: 1. DIMENSIONS ARE IN MILLIMETERS. DIMENSIONS IN PARENTHESIS ARE FOR REFERENCE ONLY.
2. THIS DRAWING IS SUBJECT TO CHANGE WITHOUT NOTICE.
3. NO JEDEC REFERENCE AS OF NOVEMBER 2012.
4. R-uSiP-N8.

MECHANICAL DATA

SIL0008A

MicroSiP - 1.5mm max height

SYSTEM IN PACKAGE

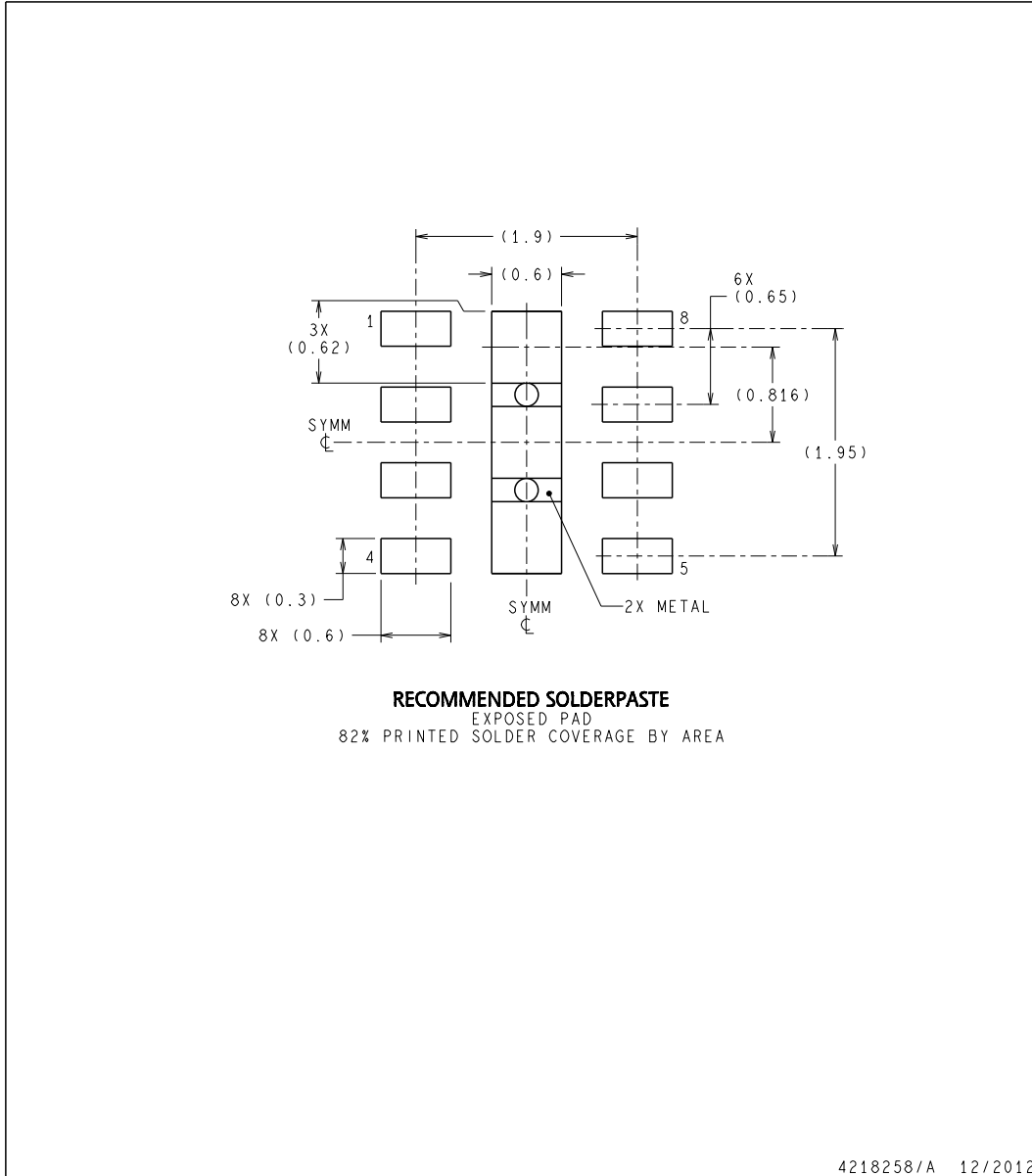


MECHANICAL DATA

SIL0008A

MicroSiP - 1.5mm max height

SYSTEM IN PACKAGE



PACKAGING INFORMATION

| Orderable part number | Status (1) | Material type (2) | Package Pins | Package qty Carrier | RoHS (3) | Lead finish/ Ball material (4) | MSL rating/ Peak reflow (5) | Op temp (°C) | Part marking (6) |
|------------------------------|---------------|----------------------|----------------|-----------------------|-------------|--------------------------------------|-----------------------------------|--------------|---------------------|
| LMZ10501SILR | Active | Production | uSiP (SIL) 8 | 3000 LARGE T&R | Yes | Call TI | Level-3-260C-168 HR | -40 to 125 | 501 0501 421A DG |
| LMZ10501SILR.A | Active | Production | uSiP (SIL) 8 | 3000 LARGE T&R | Yes | Call TI | Level-3-260C-168 HR | -40 to 125 | 501 0501 421A DG |
| LMZ10501SILR.B | Active | Production | uSiP (SIL) 8 | 3000 LARGE T&R | - | Call TI | Call TI | -40 to 125 | |
| LMZ10501SILT | Active | Production | uSiP (SIL) 8 | 250 SMALL T&R | Yes | Call TI | Level-3-260C-168 HR | -40 to 125 | 501 0501 421A DG |
| LMZ10501SILT.A | Active | Production | uSiP (SIL) 8 | 250 SMALL T&R | Yes | Call TI | Level-3-260C-168 HR | -40 to 125 | 501 0501 421A DG |
| LMZ10501SILT.B | Active | Production | uSiP (SIL) 8 | 250 SMALL T&R | - | Call TI | Call TI | -40 to 125 | |

(1) **Status:** For more details on status, see our [product life cycle](#).

(2) **Material type:** When designated, preproduction parts are prototypes/experimental devices, and are not yet approved or released for full production. Testing and final process, including without limitation quality assurance, reliability performance testing, and/or process qualification, may not yet be complete, and this item is subject to further changes or possible discontinuation. If available for ordering, purchases will be subject to an additional waiver at checkout, and are intended for early internal evaluation purposes only. These items are sold without warranties of any kind.

(3) **RoHS values:** Yes, No, RoHS Exempt. See the [TI RoHS Statement](#) for additional information and value definition.

(4) **Lead finish/Ball material:** Parts may have multiple material finish options. Finish options are separated by a vertical ruled line. Lead finish/Ball material values may wrap to two lines if the finish value exceeds the maximum column width.

(5) **MSL rating/Peak reflow:** The moisture sensitivity level ratings and peak solder (reflow) temperatures. In the event that a part has multiple moisture sensitivity ratings, only the lowest level per JEDEC standards is shown. Refer to the shipping label for the actual reflow temperature that will be used to mount the part to the printed circuit board.

(6) **Part marking:** There may be an additional marking, which relates to the logo, the lot trace code information, or the environmental category of the part.

Multiple part markings will be inside parentheses. Only one part marking contained in parentheses and separated by a "-" will appear on a part. If a line is indented then it is a continuation of the previous line and the two combined represent the entire part marking for that device.

Important Information and Disclaimer: The information provided on this page represents TI's knowledge and belief as of the date that it is provided. TI bases its knowledge and belief on information provided by third parties, and makes no representation or warranty as to the accuracy of such information. Efforts are underway to better integrate information from third parties. TI has taken and continues to take reasonable steps to provide representative

and accurate information but may not have conducted destructive testing or chemical analysis on incoming materials and chemicals. TI and TI suppliers consider certain information to be proprietary, and thus CAS numbers and other limited information may not be available for release.

In no event shall TI's liability arising out of such information exceed the total purchase price of the TI part(s) at issue in this document sold by TI to Customer on an annual basis.

TAPE AND REEL INFORMATION

QUADRANT ASSIGNMENTS FOR PIN 1 ORIENTATION IN TAPE


*All dimensions are nominal

| Device | Package Type | Package Drawing | Pins | SPQ | Reel Diameter (mm) | Reel Width W1 (mm) | A0 (mm) | B0 (mm) | K0 (mm) | P1 (mm) | W (mm) | Pin1 Quadrant |
|--------------|--------------|-----------------|------|------|--------------------|--------------------|---------|---------|---------|---------|--------|---------------|
| LMZ10501SILR | uSiP | SIL | 8 | 3000 | 330.0 | 12.4 | 2.85 | 3.25 | 1.7 | 4.0 | 12.0 | Q1 |
| LMZ10501SILT | uSiP | SIL | 8 | 250 | 178.0 | 13.2 | 2.85 | 3.25 | 1.7 | 4.0 | 12.0 | Q1 |

TAPE AND REEL BOX DIMENSIONS


*All dimensions are nominal

| Device | Package Type | Package Drawing | Pins | SPQ | Length (mm) | Width (mm) | Height (mm) |
|--------------|--------------|-----------------|------|------|-------------|------------|-------------|
| LMZ10501SILR | uSiP | SIL | 8 | 3000 | 383.0 | 353.0 | 58.0 |
| LMZ10501SILT | uSiP | SIL | 8 | 250 | 223.0 | 194.0 | 35.0 |

IMPORTANT NOTICE AND DISCLAIMER

TI PROVIDES TECHNICAL AND RELIABILITY DATA (INCLUDING DATA SHEETS), DESIGN RESOURCES (INCLUDING REFERENCE DESIGNS), APPLICATION OR OTHER DESIGN ADVICE, WEB TOOLS, SAFETY INFORMATION, AND OTHER RESOURCES "AS IS" AND WITH ALL FAULTS, AND DISCLAIMS ALL WARRANTIES, EXPRESS AND IMPLIED, INCLUDING WITHOUT LIMITATION ANY IMPLIED WARRANTIES OF MERCHANTABILITY, FITNESS FOR A PARTICULAR PURPOSE OR NON-INFRINGEMENT OF THIRD PARTY INTELLECTUAL PROPERTY RIGHTS.

These resources are intended for skilled developers designing with TI products. You are solely responsible for (1) selecting the appropriate TI products for your application, (2) designing, validating and testing your application, and (3) ensuring your application meets applicable standards, and any other safety, security, regulatory or other requirements.

These resources are subject to change without notice. TI grants you permission to use these resources only for development of an application that uses the TI products described in the resource. Other reproduction and display of these resources is prohibited. No license is granted to any other TI intellectual property right or to any third party intellectual property right. TI disclaims responsibility for, and you will fully indemnify TI and its representatives against, any claims, damages, costs, losses, and liabilities arising out of your use of these resources.

TI's products are provided subject to [TI's Terms of Sale](#) or other applicable terms available either on [ti.com](https://www.ti.com) or provided in conjunction with such TI products. TI's provision of these resources does not expand or otherwise alter TI's applicable warranties or warranty disclaimers for TI products.

TI objects to and rejects any additional or different terms you may have proposed.

Mailing Address: Texas Instruments, Post Office Box 655303, Dallas, Texas 75265

Copyright © 2025, Texas Instruments Incorporated