

TCO Series Standard Styles

Reliable

Global Ratings

One Shot Operation



Upper Limit Temperature Protection

MICROTEMP® thermal cutoffs from Therm-O-Disc offer an accurate, reliable solution to upper limit protection. Known as a thermal fuse or TCO, the MICROTEMP® thermal cutoff provides protection against overheating by interrupting an electrical circuit when operating temperatures exceed the rated temperature of the cutoff.

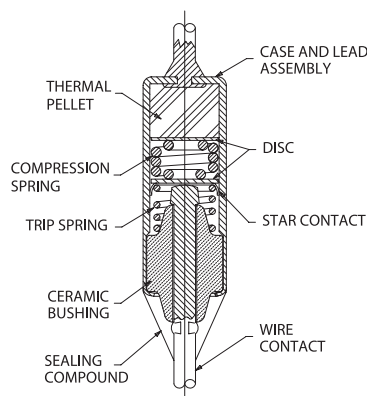
MICROTEMP® Features

- One shot operation cuts off electrical power.
- Current interrupt capacity up to 16 amps @ 250VAC (25 amps @ 125VAC).
- Low resistance
- Compact size

Operating Principle of the MICROTEMP® TCO

The active trigger mechanism of the thermal cutoff is an exclusively formulated, electrically nonconductive pellet. Under normal operating temperatures, the solid pellet holds spring-loaded contacts closed (see figure 1).

G4 SERIES MICROTEMP® TCO
CLOSED CIRCUIT

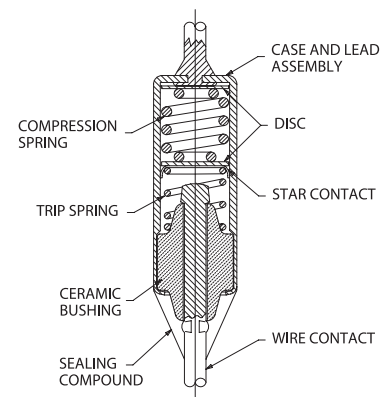


Grey area shows current patch

Figure 1

When a predetermined temperature is reached, the pellet melts, allowing the barrel spring to relax. The trip spring then slides the contact away from the lead and the circuit is opened (see figure 2).

G4 SERIES MICROTEMP® TCO
OPEN CIRCUIT



Grey area shows current patch

Figure 2

Once a MICROTEMP® thermal cutoff opens a circuit, the TCO needs to be replaced. This replacement procedure must include correction of the fault condition before the product is operated again.

Temperature Ratings

MICROTEMP® thermal cutoffs are available in a wide range of opening temperatures, providing designers with a high degree of design flexibility. Determining the correct TCO temperature calibration requires significant application testing.

New Applications

The calibration selection will be affected by application variables such as I²R self-heating of the TCO, heat transfer through insulation and heat dissipation due to heat sinking and air flow.

Refer to **Technical Bulletin TCO-A "application and installation of MICROTEMP® Thermal Cutoffs,"** for important information.

The MICROTEMP® Thermal Cutoff Series

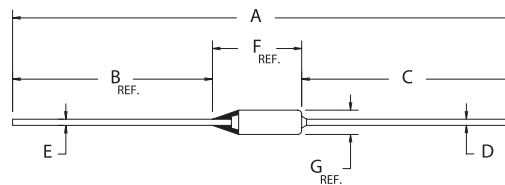
MICROTEMP® thermal cutoffs are available in a range of temperatures and electrical ratings to meet your application requirements.

G4 Series – Rated for continuous operating currents up to 10 amps at 250 VAC (15 amps at 120 VAC), the G4 Series MICROTEMP® TCO is the industry standard for over temperature protection. The G4 Series is applied to millions of appliances and personal care products each year, providing reliable back-up protection for temperature controlling thermostats and other over-temperature conditions. The G4 Series is also widely applied in office machines, portable heaters and industrial equipment as a thermal safeguard.

G5 Series – Designed for high current applications, the G5 Series MICROTEMP® TCO is rated for operating currents up to 16 amps at 250 VAC (25 amps at 120 VAC). Similar in appearance to the G4 Series, the G5 Series has a different internal construction capable of interrupting higher currents. G5 Series TCOs are found in electric heaters and other higher current devices requiring over-temperature protection.

G7 Series – The G7 Series MICROTEMP® TCO is designed to satisfy applications requiring lower current interrupt capability. The G7 Series thermal cutoff is approximately 30% smaller than the G4 and G5 Series and can satisfy the smaller size requirements of transformers, motors and electronic circuit applications.

THERMAL CUTOFF CONSTRUCTIONS						
G4 Series		G5 Series		G7 Series		Calibration
Standard Style	Product Type	Standard Style	Product Type	Standard Style	Product Type	Open Temp (+0/-5°C)
620566	G4A01072C	481327	G5A01072C			72°C
620673	G4A01077C	481328	G5A01077C	620676	G7F01077C	77°C
620568	G4A01084C	481361	G5A01084C	620677	G7F01084C	84°C
620674	G4A01093C	481362	G5A01093C	620678	G7F01093C	93°C
620569	G4A01098C	481379	G5A01098C	620679	G7F01098C	98°C
620570	G4A01104C	481380	G5A01104C			104°C
620571	G4A01110C	481363	G5A01110C	620680	G7F01110C	110°C
620572	G4A01117C	481329	G5A01117C	620681	G7F01117C	117°C
620573	G4A01121C	481330	G5A01121C	620682	G7F01121C	121°C
620574	G4A01128C	481381	G5A01128C	620683	G7F01128C	128°C
620661	G4A01144C	481365	G5A01144C	620684	G7F01144C	144°C
620600	G4A01152C	481382	G5A01152C	620685	G7F01152C	152°C
620599	G4A01167C	481383	G5A01167C	620686	G7F01167C	167°C
620576	G4A01184C	481386	G5A01184C	620687	G7F01184C	184°C
620577	G4A01192C	481331	G5A01192C			192°C
620578	G4A01216C	481387	G5A01216C			216°C
620671	G4A01229C	481388	G5A01229C			229°C
620580	G4A01240C	481364	G5A01240C			240°C



MICROTEMP® TCO

STANDARD DIMENSIONS

		G4 and G5 Series	G7 Series
Long Lead (01)	A Overall Length ± 12 (±3.0)	3.26" (82.8mm)	3.26" (82.8mm)
	B Epoxy Lead Length (Reference)	1.30" (33.0mm)	1.50" (38.1mm)
	C Case Lead Length ± .06 (± 1.5)	1.38" (34.9mm)	1.38" (34.9mm)
Lead Material and Diameter	D Case Lead Diameter	.040" (1.0mm)	.023" (.57mm)
	D Case Lead Material	Tin Plated Copper	Tin Plated Copper
	E Epoxy Lead Diameter	.040" (1.0mm)	.023" (.57mm)
	E Epoxy Lead Material	Silver Plated Copper	Silver Plated Copper
Case Dimensions	F Case Length (Reference)	.58" (14.7mm)	.38" (9.6mm)
	G Case Diameter (Reference)	.158" (4.0mm)	.118" (3.0mm)

MICROTEMP® Thermal Cutoffs: INTRODUCTION



Upper Limit Temperature Protection

MICROTEMP® thermal cutoffs from Therm-O-Disc offer an accurate, reliable solution to the need for upper limit temperature protection. Known as a thermal fuse, thermal link, or TCO, the MICROTEMP® thermal cutoff provides protection against overheating by interrupting an electrical circuit when operating temperatures exceed the rated temperature of the cutoff.

MICROTEMP® Features:

- One-shot operation cuts off electrical power
- Current interrupt capacity up to 25 amps @ 250VAC
- Low resistance
- Compact size

Operating Principle of the MICROTEMP® TCO

The active trigger mechanism of the thermal cutoff is an exclusively formulated, electrically nonconductive pellet. Under normal operating temperatures, the solid pellet holds spring-loaded contacts closed.

When a predetermined temperature is reached, the pellet melts, allowing the compression spring to relax. The trip spring then slides the contact away from the lead and the circuit is opened (see *figures 1 and 2*).

After a MICROTEMP® thermal cutoff opens a circuit, the TCO needs to be replaced. This replacement procedure must include correction of the fault condition before the product is operated again.

MICROTEMP® G4, G6 & G7 Series TCO

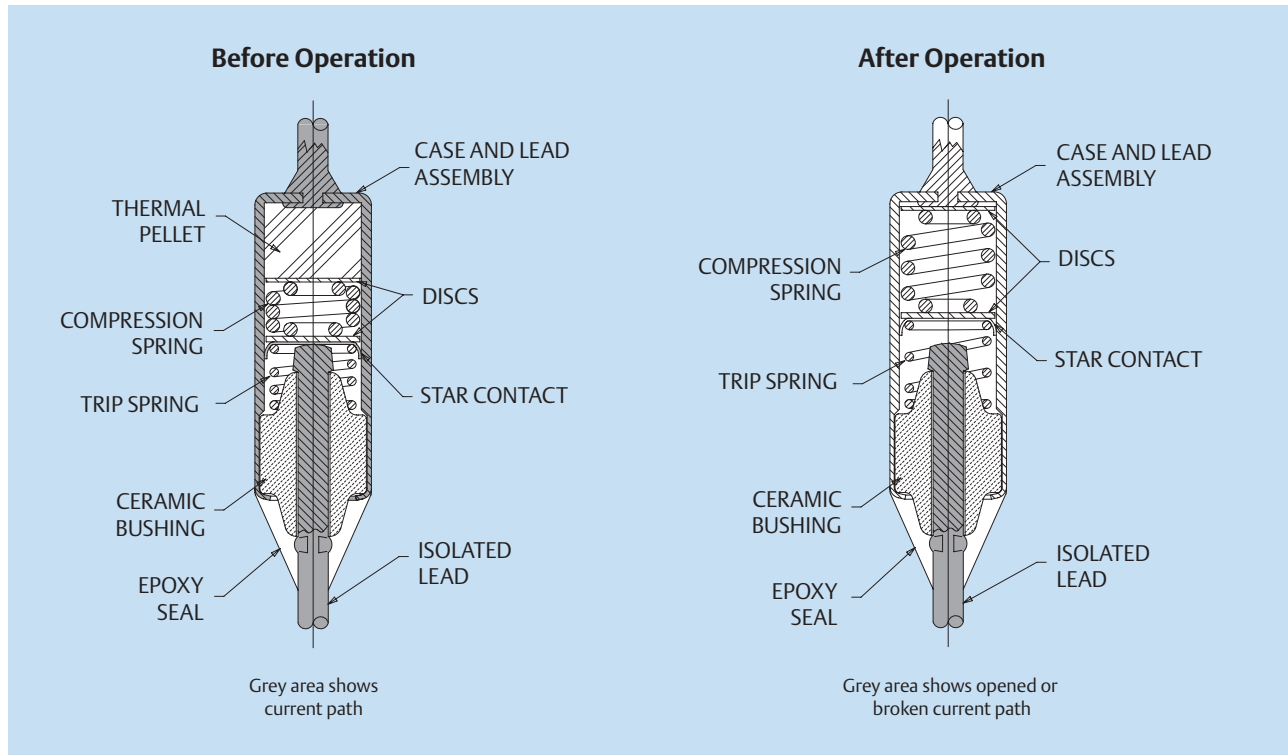


Figure 1

MICROTEMP® G5 & G8 Series TCO

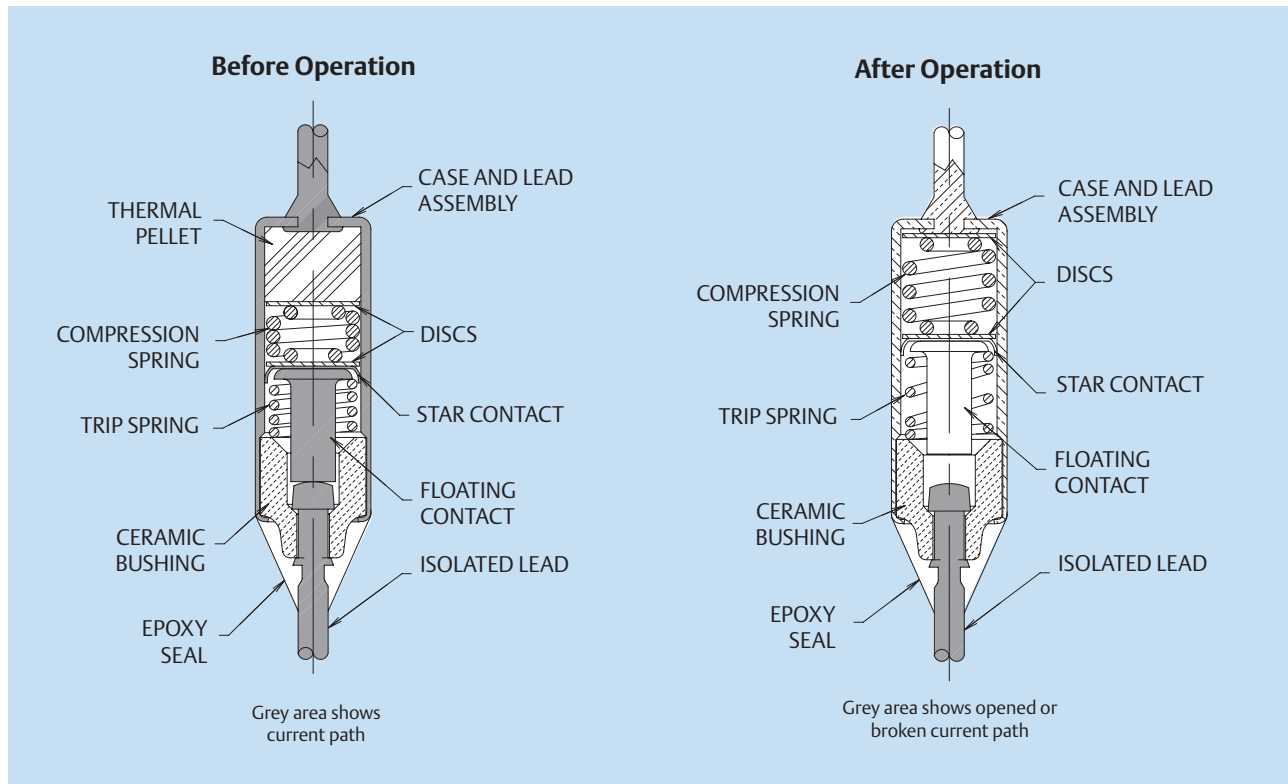


Figure 2

MICROTEMP® Thermal Cutoffs: TYPES & SPECIFICATIONS



MICROTEMP® thermal cutoffs are available in a range of temperatures and electrical ratings to meet application requirements (*see figure 3*). There are five primary types of thermal cutoffs available. Standard dimensions of each TCO series are shown in figure 4.

G4 Series

Rated for continuous operating currents up to 10 amps @ 250VAC (15 amps @ 120VAC), the G4 series MICROTEMP® TCO is the industry standard for over-temperature protection. The G4 series is applied to millions of appliances and personal care products each year, providing reliable back-up protection for temperature controlling thermostats and other over-temperature conditions. The G4 series is also widely applied in office machines, portable heaters and industrial equipment as a thermal safeguard.

G5 Series

Designed for higher current applications, the G5 series MICROTEMP® TCO is rated for operating currents up to 16 amps @ 250VAC (20 amps @ 250VAC and 25 amps @ 120VAC at UL/CSA). Similar in appearance to the G4 series, the G5 series has a different internal construction designed for interrupting higher currents.

G6 Series

The G6 series MICROTEMP® TCO can be utilized in applications where a higher maximum-overshoot temperature rating is not required, yet it is rated for operating currents up to 16 amps @ 250VAC. It is the same physical size as the G4, G5 and G8 series TCOs.

G7 Series

The G7 series MICROTEMP® TCO is designed to satisfy applications requiring miniaturized components that do not need maximum current interrupt capability. The G7 is just 2/3 the size of the G4 and G5, and with a current interrupting capability of 5 amps @ 250VAC, it is capable of meeting the requirements of transformers, motors, battery packs and electronic circuit applications.

G8 Series

Designed for very high-current applications such as major appliances and high-wattage electric heat packages, the G8 series MICROTEMP® TCO is rated for operating currents up to 25 amps @ 250VAC. More economical than electromechanical bimetal-type one shot devices, it can be utilized in applications where its small size is an advantage in terms of mounting (it's the same physical size as the G4, G5 and G6 series TCOs) and thermal response.

MICROTEMP® TCO Operating Temperature Summary

Max. Open Temp T_F °C	Holding Temp T_H °C	Maximum Overshoot Temperature						
		T_M °C G4 Series	T_M °C G5 Series	T_M °C G6 Series	T_M °C G7 Series	T_M °C G8 Series	T_M °C R9 Series	T_M °C R7 Series
072	47	100	175	100	—	175	100	—
077	52	125	200	125	125	200	125	125
084	59	125	200	125	125	200	125	125
093	68	140	215	—	140	215	140	140
098	73	140	215	140	140	215	140	140
104	79	150	225	150	—	225	150	—
110	85	150	225	—	140	225	150	140
117	92	160	235	160	140	235	160	140
121	96	160	235	160	150	235	160	150
128	103	160	235	160	150	235	160	150
144	119	175	250	175	175	250	175	175
152	127	175	250	175	175	—	175	175
167	142	210	285	—	200	285	210	200
184	159	210	350	210	200	350	210	200
192	167	210	350	210	—	350	210	200
216	191	375	375	—	—	—	375	—
229	200	375	375	375	—	375	375	—
240	200	375	375	375	—	375	375	—

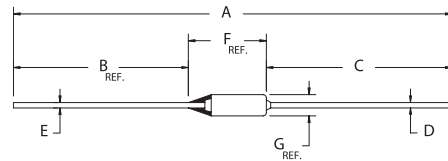
T_M – Maximum overshoot temperature: temperature up to which TCO will not change status
 T_F – Functioning open temperature tolerance: +0, -5°C
 T_H – Holding temperature: Maximum continuous exposure temperature
 C.T.I. – Comparative tracking index (all primary thermal cutoffs): 250VAC
 NOTE: G4, G5, G6, G7 and G8 series TCOs with $T_F \geq 184^\circ\text{C}$ comply with UL conductive heat aging (CHAT) requirements.

Electrical Rating Summary

Agency	Maximum Overshoot Temperature								
	G4 Series		G5 Series	G6 Series	G7 Series		G8 Series	R9 Series	R7 Series
	Resistive	Inductive	Resistive	Resistive	Resistive	Inductive	Resistive	Resistive	Resistive
UL/CSA	10A/250VAC 15A/120VAC	8A/250VAC 14A/120VAC	16A/250VAC 25A/120VAC 21A/240VAC	16A/250VAC	5A/250VAC 5A/24VDC	4.5A/250VAC 4.5A/120VAC	25A/250VAC	—	—
IEC	10A/250VAC 15A/120VAC	8A/250VAC 14A/120VAC	16A/250VAC	16A/250VAC	5A/250VAC	4.5A/250VAC 4.5A/120VAC	25A/250VAC	—	—
METI	10A/250VAC	—	15A/250VAC	15A/250VAC	5A/250VAC 5A/24VDC	—	—	15A/250VAC	7A/250VAC 7A/24VDC

Figure 3

MICROTEMP® TCO Standard Dimensions



Dimensions – Inches (millimeters)		G4, G5, G6 & G8 Series	G7 Series
Standard Leads	A Overall Length $\pm .12$ (± 3.0)	2.51 (63.8)	N/A
	B Epoxy Lead Length (Reference)	0.55 (14.0)	N/A
	C Case Lead Length $\pm .06$ (± 1.5)	1.38 (34.9)	N/A
Long Leads	A Overall Length $\pm .12$ (± 3.0)	3.26 (82.8)	3.26 (82.8)
	B Epoxy Lead Length (Reference)	1.30 (33.0)	1.50 (38.1)
	C Case Lead Length $\pm .06$ (± 1.5)	1.38 (34.9)	1.38 (34.9)
Lead Material and Diameter	D Case Lead Diameter	.040 (1.0)	.023 (.57)
	D Case Lead Material	Tin-Plated Copper	Tin-Plated Copper
	E Epoxy Lead Diameter	.040 (1.0)	.023 (.57)
	E Epoxy Lead Material	Silver-Plated Copper	Silver-Plated Copper
Case Dimensions	F Case Length (Reference)	.58 (14.7)	.38 (9.6)
	G Case Diameter (Reference)	.158 (4.0)	.118 (3.0)

Figure 4



Lead Configurations

The MICROTEMP® TCO can be furnished with virtually any lead configuration specified for an application. Lead curls are available to match most sizes of screws along with varying lead lengths and lead forms.

All types of terminations, such as quick connects, ring terminals and blade terminals, are available at additional cost. In addition, tape and reel packaging can be specified to meet high volume requirements.

Temperature Ratings

MICROTEMP® thermal cutoffs are available in a wide range of opening temperatures, providing designers a high degree of flexibility (*see figure 3*). Determining the correct TCO temperature calibration requires significant application testing.

The proper calibration will be affected by application variables such as I²R self heating of the TCO, heat transfer through insulation and heat dissipation due to heat sinking and air flow. Thermocoupled “dummy” TCOs, that match the physical and electrical characteristics of a functional TCO, are available to help evaluate application specific variables.

For more information on testing and installing MICROTEMP® TCOs, please review the MICROTEMP® thermal cutoff technical information section beginning on page 143.

Direct Current (DC) Applications

MICROTEMP® thermal cutoffs do not have published electrical ratings for direct current (DC) applications. Current interruption capacity in DC circuits is highly application sensitive.

Therm-O-Disc recommends thorough testing of DC electrical applications using the testing guidelines in Therm-O-Disc’s MICROTEMP® thermal cutoff technical information section.

Samples and Quotations

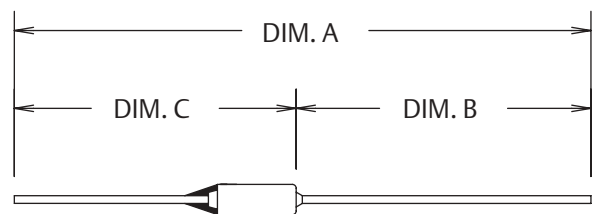
MICROTEMP® TCO samples and thermocoupled “dummies” are readily available for determining the correct response and desired performance in an application. For more information on MICROTEMP® TCOs, call a Therm-O-Disc sales engineer at 419-525-8300.



Lead Cutting

Minimum Dimensions Inches (millimeters)

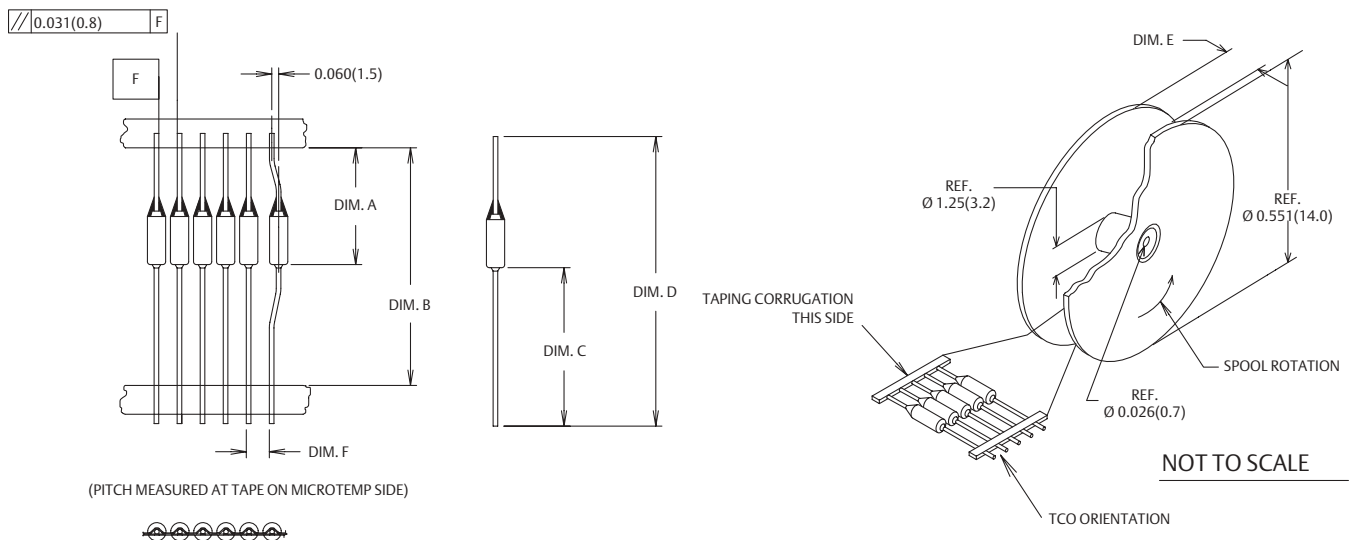
Dimension A	Dimension B	Dimension C
0.95 (24.2)	0.22 (5.6)	0.73 (18.6)



Tape and Reel Packaging

Dimensions – Inches (millimeters)

Item	Dim. A	Dim. B	Dim. C	Dim. D	Dim. E	Dim. F
GXAA0900TTTC	1.66 (42.1)	2.80 (71.1)	1.38 (35.1)	3.26 (82.8)	3.60 (91.4)	0.200 (5.1)
G7FA0900TTTC	1.66 (42.1)	2.80 (71.1)	1.38 (35.1)	3.26 (82.8)	3.60 (91.4)	0.197 (5.0)



Product Nomenclature

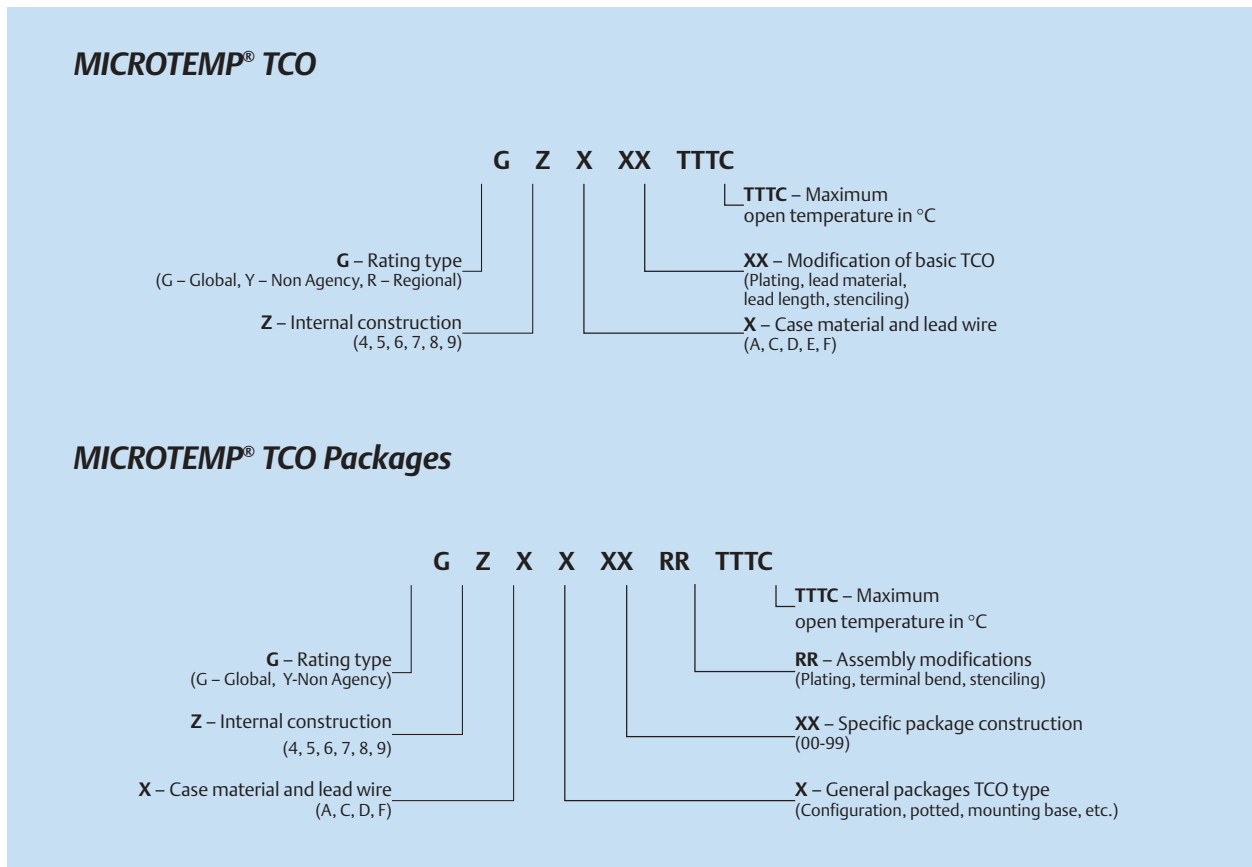


Figure 7

As shown in figure 7, Therm-O-Disc MICROTEMP® TCOs follow a consistent product nomenclature that identifies the basic product type, lead wire size, special features and packaging options. For example, a standard G4 series TCO calibrated to open at 192°C would have a part number G4A00192C.

MICROTEMP® TCO Product Markings

Primary TCOs

XXXXXXXX	Special customer identification (when required, up to 9 characters)
MICROTEMP®	Registered trademark
P ZZZZZ	(P) Manufacturing plant; (ZZZZZ) Date code
G Z X XX	Part number (see figure 7)
T _F TTTC	() Underwriters Labs logo; (T _F TTTC) Maximum open temperature °C

Secondary Packages

XXXXXXXXXX	Special customer identification (when required, up to 9 characters)
MICROTEMP®	Registered trademark (may be T-O-D)
G Z X X XX RR	Part number (see figure 7)
T _F TTTC P ZZ	(T _F TTTC) Maximum open temperature °C; (P) Manufacturing plant location; (ZZ) Manufacture date code; () Underwriters Labs logo

14/09/2010

Farnell,

I have the information you asked for.

G4A00 has one short lead and one long lead.

G4A01 has 2 long leads.

We supply the G4A01 to Farnell so that the customer has the choice and can trim the lead if required.

Let me know if I can help further

Best regards,


Foremost Electronics Ltd


14 Bluegate Business Park

Great Bardfield

Essex

CM7 4PZ

 **TEL:** +44 (0) 1371 811171

 **FAX:** +44 (0) 1371 810933

MICROTEMP® Thermal Cutoffs: TECHNICAL DATA



MICROTEMP® thermal cutoffs, available in a variety of standard and custom configurations, provide reliable one-shot, over-temperature protection in a wide range of applications. Performance can be affected by installation method and proper location of the thermal cutoff. Both application and installation are important in the overall performance of the product, and thorough testing is necessary for both AC and DC applications. The following guidelines will answer most questions concerning these two subjects.

Application of Thermal Cutoffs

A thermal measurement procedure that utilizes a “dummy” thermal cutoff can assist in determining the appropriate calibration temperature and design location of MICROTEMP® thermal cutoffs. The dummy matches the electrical characteristics of the thermal cutoff but does not have thermally responsive parts. The dummy is supplied with a thermocouple attached to the case of the thermal cutoff (*see figure 8*).

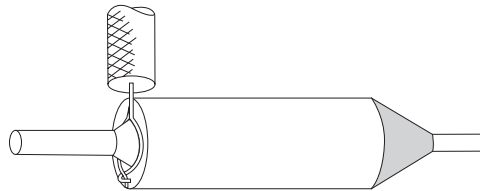


Figure 8

View of required thermocouple attachment before soldering

Dummy cutoffs can be supplied with Type J, Type T or Type K thermocouples. Other thermocouple types can usually be supplied upon request at a nominal charge.

Location

Sufficient time and effort must be used to determine the proper and most desirable location for a thermal cutoff. The employment of infrared thermography, or a sufficient number of thermocouples to identify the highest temperature areas in the product requiring protection during fault conditions, should be considered.



Calibration Temperature

It is necessary to select a thermal cutoff rating above the maximum temperature experienced during normal operation, including expected short-term temperature overshoots. The temperatures experienced by the thermal cutoff during normal operation will determine the life expectancy for the thermal cutoff. If the thermal cutoff rating is too close to the temperature experienced during normal operation (including overshoot temperatures after opening of a thermostat, etc.), the probability of a nuisance trip increases.

Nuisance trips are caused by pellet shrinkage due to repeated operation at temperatures near but below calibration temperature, or excessive thermal gradients across the case of the TCO and its leads (see “Thermal Gradients”). More information on nuisance tripping due to pellet aging is available in U.L. Standard 1020, under the section on Thermal Element Stability Test. Therm-O-Disc has compiled standard life curves by subjecting MICROTEMP® thermal cutoffs to very controlled temperatures for extended time periods under ideal laboratory conditions. Therefore, these standard life curves should be used only as a guideline.

Comparison of measured temperatures to MICROTEMP® thermal cutoff standard life curves should not replace customer life testing using functional thermal cutoffs for the particular application. The design engineer must make the trade-off between response and life of the TCO based on product requirements. It is important to remember that temperatures experienced in actual application will vary from unit to unit.

Test Procedure

Install the dummy cutoff in the electrical circuit to be opened in the event of a fault condition. Position it in the area that has been selected to be protected within the product based on prior determinations of the maximum permissible temperatures to be allowed. The dummy cutoff should be installed using the same mounting and electrical connection that will be used for functional TCOs in production. Connect the thermocouple leads to a digital temperature measuring device to record temperatures. The product to be protected can now be operated, and the normal operating temperature monitored. Note that the thermal cutoff dummy is not a functional TCO and therefore will not open the circuit in the test setup.

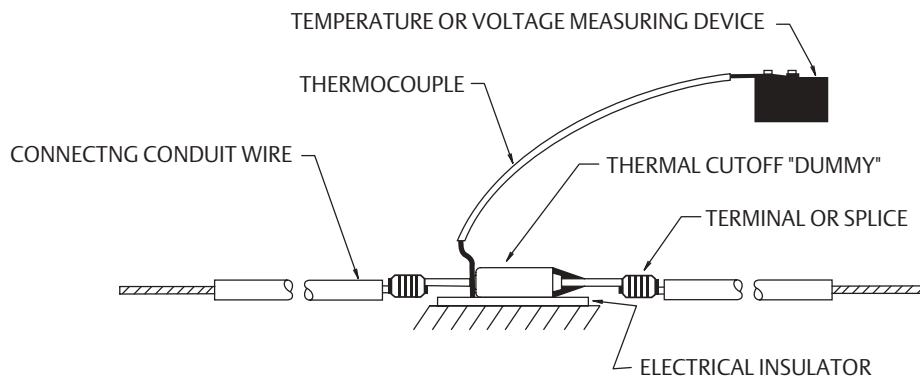


Figure 9

Figure 9 illustrates a typical installation of a thermocoupled cutoff. Note that the body of the thermal cutoff is at the same potential as the connecting circuit; therefore, it must be electrically isolated from the surface against which the cutoff is mounted. Also note that the thermocouple wire is at the same potential as the connecting circuit.

CAUTION . . . To avoid a false reading of the unit under test, thermocouple wires must not make contact with each other except at the temperature sensing junction.

CAUTION . . . Ensure that the thermocouple wire insulation will provide isolation against short-circuiting and shock hazards.

CAUTION . . . The terminal of the temperature measuring instrument, to which the thermocouple is attached, will be at the same potential as the connecting circuit wire. This instrument must be electrically isolated and considerable caution must be exercised in its use, since one of the thermocouple terminals is frequently grounded to the instrument chassis.

Before using measuring equipment powered directly from standard line voltages, check operation manuals. Be sure line voltages impressed on the thermocouple wires by the dummy cutoffs will not cause damage to the instrument.

The more closely the actual operating and ambient conditions can be simulated during test, the more valid the test results will be. These tests are necessary to empirically include the variable factors that need to be considered to select the properly rated thermal cutoffs. These factors include, but are not limited to, the heating effect of the current through the cutoff, adjoining



terminals and leads, heating or cooling effect of the terminals and external leads, rate of temperature rise, air flow, shock, vibration and other environmental and operating conditions unique to the application.

The product and application being tested will determine the number of cycles that must be run to determine the maximum “normal” operating temperature. “Overshoot” temperatures should be included in the determination of the maximum “normal” operating temperature. The overshoot temperature is often considerably higher than the temperature reached at the moment the thermostat opens. The conclusion of these tests will provide the maximum “normal” operating temperature at the thermal cutoff (at maximum anticipated voltage, ambient temperature, etc). The overshoot temperature seen by the thermal cutoff after the thermal cutoff opens in the application must also be carefully examined.

Manufacturing tolerances and variations should be carefully considered, and a sufficient number of units evaluated, to provide a statistical basis on which to determine the operating overshoot temperatures.

After obtaining the above information, test the product under fault conditions and monitor to determine that desired fault condition temperatures are not exceeded.

Where there are a variety of fault conditions, (e.g., short-circuited thermostats and transformer secondaries, locked motor rotors and solenoids, high ambient temperatures, restricted or blocked airflow, etc.), consideration should be given to multiple fault conditions which could occur simultaneously during the lifetime of the product, and to faults which may cause localized overheating in areas away from the TCO.

When the fault conditions have been set up, note the temperature of the dummy cutoff when the maximum desired temperature limit is reached. At this point the circuit is manually interrupted. This test should be run several times, in several different units. In some applications, it will not be possible to “save” the tested item from damage, but only prevent the product from creating an external fire or electrical hazard. Damaged products should not be retested, since the results may not be the same as with undamaged units. The MICROTEMP® thermal cutoff ratings selected should be equal to or less than the temperature recorded at the dummy thermal cutoffs at the time the maximum desired temperature is reached.

CAUTION . . . Excessive overshoot temperatures after the opening of the thermal cutoff may cause dielectric breakdown of the thermal cutoff and allow reconnection to occur. Functional thermal cutoffs should be tested to verify proper operation of the thermal cutoffs in the application (see figure 3).



Substitute actual thermal cutoffs in a sufficient number of finished products and re-run the tests to obtain statistical verification of the results. For multiple TCO applications, test functional thermal cutoffs under fault conditions so that the product overheats and each thermal cutoff is independently called upon to interrupt the flow of current. Each thermal cutoff should open the circuit independently of any other over-temperature limit controls, with product damage not exceeding an acceptable level. This test should be run using the maximum voltage and current; the thermal cutoff will be expected to interrupt and hold open.

Installation of Thermal Cutoffs

The performance of a MICROTEMP® thermal cutoff can be affected by installation methods such as soldering, welding, splicing, lead bending, insulation, clamping and mounting. Certain precautions should be taken during installation to ensure that the MICROTEMP® thermal cutoff is not damaged, which may cause it to not operate in its intended manner. Likewise, care should be taken during installation to ensure that the TCO in every unit experiences the expected temperature range environment previously determined during the calibration temperature selection. The following guidelines should be used to minimize undesirable conditions that can result from improper installation practices.

Soldering Leads

Thermal cutoff leads should be heat sunk during the soldering operation (*see figure 10*). If excessive heat is conducted by the leads into the thermal cutoff, it can shorten the life of the TCO. In addition, excessive lead temperatures can damage the epoxy and possibly result in the TCO failing to open. More heat sinking is necessary for thermal cutoffs with low temperature ratings.

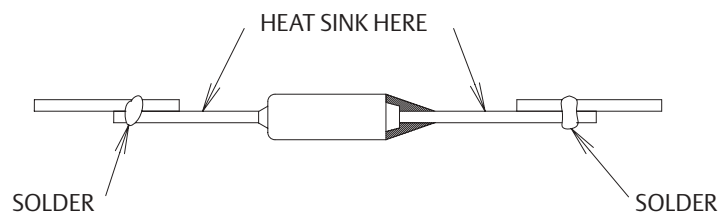


Figure 10



Test samples should be x-rayed before and after the soldering operation. The size of the chemical pellet should be measured with an optical comparator or a toolmaker's microscope to verify that no shrinkage has occurred during the soldering operation (see figure 11). The epoxy seal should retain its size and shape and not discolor. If the chemical pellet or the epoxy have changed size as a result of the soldering operation more heat sinking is required.

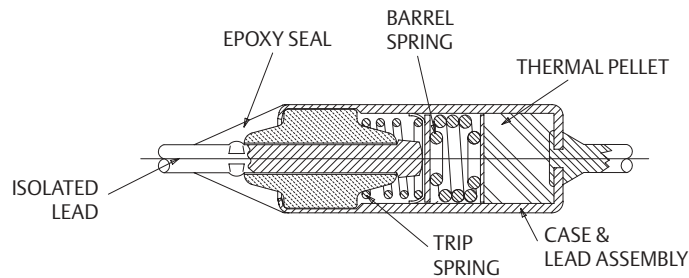


Figure 11

Welding Leads

The thermal cutoff leads may also need to be heat sunk during a welding operation (see figure 12). The same precautions and tests described in the soldering section should also be followed for welded leads.

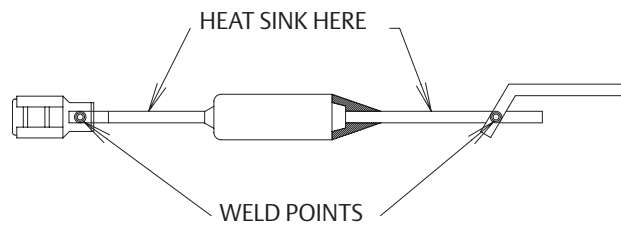


Figure 12

To avoid damaging or welding internal parts, care should be taken that none of the welding current is conducted through the TCO. A welding current of hundreds of amperes can weld the internal parts together, resulting in the TCO failing to open.

TCO leads must be supported during the weld operation to prevent breaking the thermal cutoff epoxy seal.



Splices & Terminals

Insecure splices and terminations may produce high resistance junctions which can cause self heating (I^2R) as power is dissipated across these junctions during product operation.

Heat from these hot spots can flow down the thermal cutoff leads and increase the temperature of the thermal cutoff (see figure 13). Nuisance openings of the thermal cutoffs or degradation of the epoxy seal can occur as a result of the heat generated by high resistance junctions. The splice or termination junction may initially measure low resistance, but can change to a much higher resistance after several temperature cycles. It is generally better to splice MICROTEMP® thermal cutoff leads to stranded lead wires rather than solid wires as the stranded wire may be crimped tighter and maintain better electrical contact during temperature cycling.

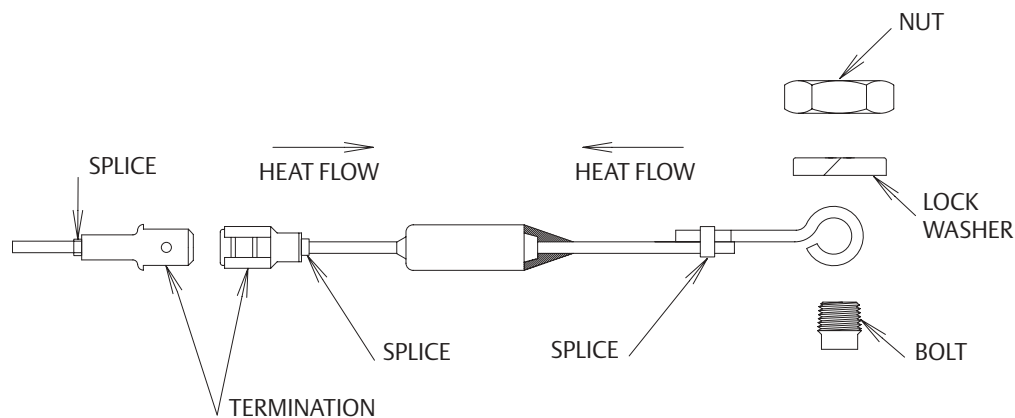
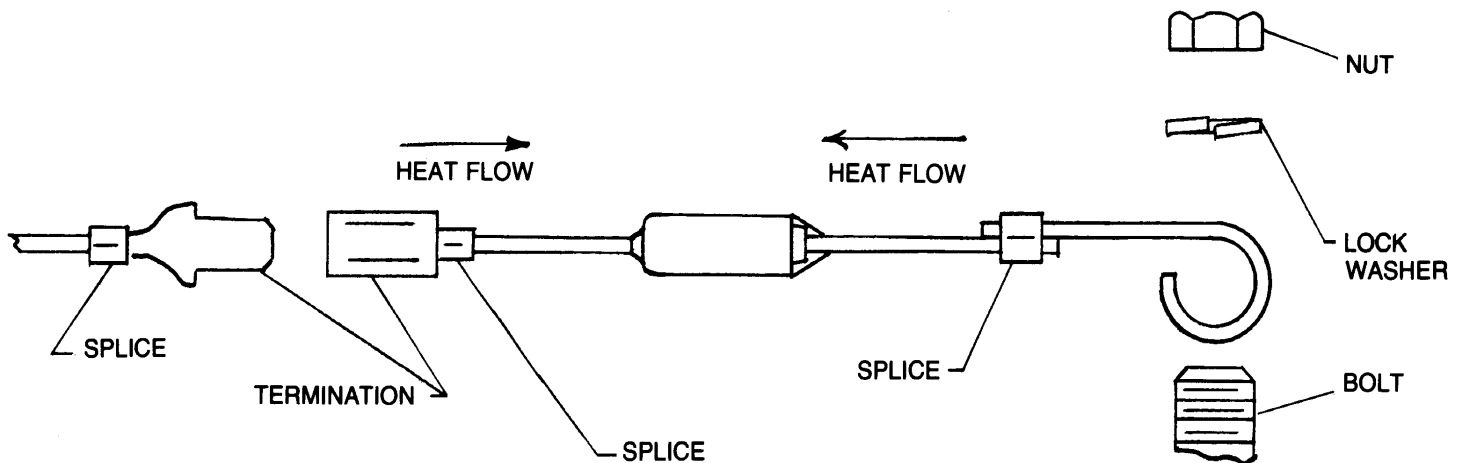


Figure 13

The temperature capabilities of the splice and/or termination should be considered. For example, solder back-up should be considered for splices or terminations in applications cycled at temperatures exceeding 150°C.

Bending Leads

When configuring leads, special care must be exercised in supporting the leads at each end near the body of the thermal cutoff so that the case will not be distorted or the epoxy will not be cracked or broken. At least 0.125" (3mm) should be maintained between the epoxy seal and any lead bends (see figure 14).



as a low resistance but after being exposed to several temperature cycles can change to a much higher resistance.

The temperature capabilities of the splice and/or

termination should be considered. For example, we suggest brass splices or terminations used at temperatures exceeding 150°C (302°F) should also be soldered or welded.

D. BENDING LEADS

When configuring the leads, special care is to be exercised in supporting the lead near the body of the

thermal cutoff per recommendation so that the epoxy will not be broken.

E. POSITIONING OF THERMAL CUTOFFS

The time required for a thermal cutoff to open depends upon its distance from or contact with the source of heat. To insure that the MICROTEMP® will perform as intended, care must be taken that each

MICROTEMP® is positioned properly. (Refer to the bulletin # MD-127 for application using a thermocoupled "dummy" as a suggested application method.)

F. THERMAL CUTOFF ISOLATED LEAD

When a thermal cutoff is connected in certain applications, a certain amount of heat is transmitted to the body of the thermal cutoff through the connecting lead. It is sometimes advantageous to minimize the temperature increase of the thermal cutoff body from

this heat flow by attaching the isolated lead (epoxy end) rather than the case lead to the heat source. Caution is advised to be sure that the temperature is not so high that it will burn the epoxy. (Temperatures in excess of 267°C.)

G. TEMPERATURE LIMITS

Because of the temperature limits normal to epoxy, *no* tco shall be subjected to continuous normal temperature exceeding 205°C. Higher continuous temperatures will cause the epoxy seal to weaken and ultimately fail. Underwriters Laboratories recognition of our product limits its continuous use to 205°C as well.

NOTE: The following conditions may cause the thermal cutoff to fail to open.

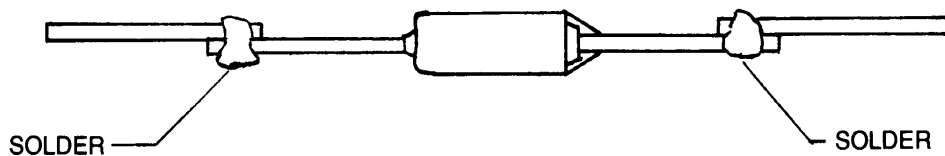
1. Distortion of the case.
2. Breaking or cracking the epoxy seal.
3. Compression on the leads which could force the isolated lead into the case.

INSTALLATION OF THERMAL CUTOFFS

The performance of a thermal cutoff can be affected by installation. Methods of installation such as soldering, welding, splicing and lead bending all require that certain precautions be taken to insure that the MICROTEMP® thermal cutoff is not damaged,

which may cause it to not operate in its intended manner. The following guidelines should be used to minimize undesirable conditions that can result from improper installation practices.

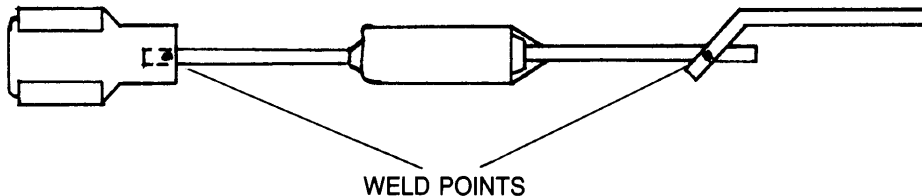
A. SOLDERING LEADS



1. Thermal cutoff leads should be heat sunk during the soldering operation. The lower the thermal cutoff temperature rating, the more heat sinking is required. To insure proper heat sinking, test samples should be x-rayed before and after the soldering operation. Reduction of the sensing element thermal pellet

dimensions is an indication that more heat sinking is required. Excessive heat conducted by the leads could foreshorten the life of the tco (premature opening) or burn the epoxy (temperatures of 267° C or more) which could result in the tco failing to open. (F.T.O.)

B. WELDING LEADS



1. As in "soldering" mentioned previously, and for the same reason, excessive heat from resistance welding should not be conducted to the body of the thermal cutoff.
2. To avoid welding internal parts, care should be taken that none of the welding current is conducted

through the tco. Welding current of hundreds of amperes can weld the internal parts together resulting in an "F.T.O."

3. Leads require support to prevent breaking the thermal cutoff epoxy during a weld operation.

C. SPLICES & TERMINATIONS

Insecure splices and terminations may produce high resistance junctions which can cause heat (I^2R), resulting from the power dissipated across these junctions during product operation. Heat from these hot spots flows down the thermal cutoff leads

increasing the temperature of the thermal cutoff. Nuisance openings of thermal cutoffs and with certain mounting conditions epoxy burn can occur as a result of the heat generated by high resistance junctions. The splice or termination junction can initially measure

x-ref colour against temperature

Datasheet on G4 thermal fuses.

The epoxy colours used are ,marked on the drawing –please note in the case of “white” it covers 8 different temperatures so cannot be used exclusively to identify the temperatures - but for others it may be helpful to mark on the customer drawing

PART NO.	RESIN	CATALYST (SEE NOTE 4)	COLOR	RATING	PIGMENT R.M.	PIGMENT %
744 8-01	99510	91434	TAN	072C	99530, 99527	3% WHITE + 1% BROWN
744 8-02	99510	91434	YELLOW	077C	99533	4% YELLOW
744 8-03	99510	91434	DARK GREEN	098C	99528	4% GREEN
744 8-04	99510	91434	ORANGE	---	99534	4% ORANGE
744 8-05	99510	91434	DARK BLUE	110C	99531	4% BLUE
744 8-06	99510	91434	BLACK	117C	99526	4% BLACK
744 8-07	99510	91434	BROWN	128C	99530	4% BROWN
744 8-08	99510	91434	RED	144C	99532	2.5% LIGHT RED
744 8-09	99510	91434	LIGHT GRAY	152C	99526, 99527	1% BLACK + 2% WHITE
744 8-10	99510	91434	LIME	167C	99533, 99531	4% YELLOW + 1% BLUE
744 8-11	99510	91434	LIGHT BLUE	192C	99531, 99527	2% BLUE + 2% WHITE
744 8-12	99510	91434	LIGHT PINK	216C	99532, 99527	1/2% LIGHT RED + 4% WHITE
744 8-13	99510	91434	WHITE	NOTE 3	99527	4% WHITE

NOTES:

1. FOR BASIC EPOXY SPECIFICATIONS, SEE MS-58.
2. FOR MIXING PROCEDURES, SEE TCO-106 PRODUCT SPECIFICATION.
3. RATINGS 084, 091, 093, 104, 121, 164, 229, & 240 HAVE WHITE EPOXY P/N. 74418-13.
4. CATALYST P/N. 98897 IS AN APPROVED ALTERNATE MATERIAL

NOTES: 091 NO LONGER PRODUCED

\$ 229 IS BEING CHANGED TO ORANGE (PUMPKIN) EPOXY SOON

FB-701 TOLERANCES APPLY
UNLESS OTHERWISE SPECIFIED

THERMODISC
MANSFIELD, OHIO

NEITHER THIS DRAWING NOR
ANY COPIES ARE TO BE USED
FOR MANUFACTURE WITHOUT
PERMISSION OF THERMO-DISC
INC. OWNER OF PROPRIETARY
DATA CONTAINED HEREIN.

DR. BY
KMS
8-4-81

W56 EPOXY

APPROVALS

SM
12.1.99

SCALE

NONE

DR. NO.

A-8557

REDRAWN, CATALYST FOR ALL
P/N'S WAS 98897. ADDS
NOTE 4. 11-30-88-73666

D3

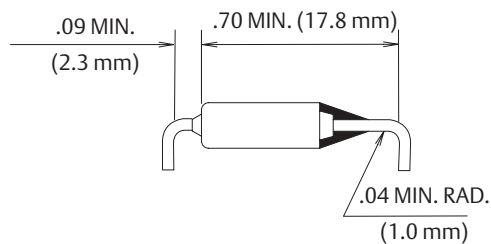


Figure 14

Dimensions are shown in inches (millimeters).

Thermal Gradients

Ideal TCO placement subjects the entire TCO case, leads, epoxy seal and internal components to a uniform temperature environment.

Care should be exercised in the placement of the TCO to minimize thermal gradients across the TCO body. In certain applications, the TCO can be mounted in a position where heat is conducted to the body of the TCO through one of the leads, resulting in thermal gradients across the TCO. Over time, the TCO life can be reduced by thermal gradients if the isolated (epoxy) lead is at a consistently lower temperature than the case lead. Long term testing is recommended in determining whether these conditions exist in the application.

To minimize the effects of thermal gradients and the temperature increase of the TCO body from this heat flow, attach the isolated (epoxy) lead, rather than the case lead, to the heat source.

TCO dummies can be supplied with thermocouples on both ends to facilitate gradient evaluations.

Temperature Limits

The temperatures experienced during normal operation, including expected temperature overshoots, will determine the life expectancy of the TCO. Nuisance trips can result if the thermal cutoff rating is too close to the temperatures experienced during normal operation. Thermal cutoffs of any temperature rating should not be subjected to continuous normal temperatures in excess of 200°C. Additionally, overshoot temperatures after the opening of the thermal cutoff should be minimized to avoid dielectric breakdown and re-conduction of the thermal cutoff.



CAUTION . . . *The thermal cutoff may fail to open the electrical circuit under certain conditions. Distortion of the case, breaking or cracking the seal, exposing the epoxy seal to cleaning solvents, compression of the leads and current surges that exceed the operating specifications of the thermal cutoff may cause the thermal cutoff not to open. In addition, pellet shrinkage due to thermal aging under some circumstances may also result in failure to open. Finally, a very low rate of temperature rise may produce conditions that may also result in failure to open. Care must be taken to avoid any mishandling or misapplication of the thermal cutoff.*

CAUTION . . . *Although TCOs are highly reliable devices, a TCO may fail to open in operation for one or more of the reasons set forth above. These conditions must be taken into account by the product design engineer in determining the level of reliability needed for the application. If failure of the TCO to open could result in personal injury or property damage, the product design engineer may want to consider using one or more redundant TCOs of different ratings to achieve the desired level of reliability. A number of consumer product design engineers have incorporated redundant TCOs of different ratings in their designs for this reason.*

Definition of Terms

Maximum Open Temperature or Rated Functioning Temperature (T_i , T_f):

The maximum temperature at which the thermal cutoff changes its state of conductivity to open circuit with detection current as the only load. The rated functioning temperature is measured during a temperature rise of approximately 0.5°C per minute.

Holding Temperature (T_h , T_H):

The maximum temperature at which, when applying the rated current to the thermal cutoff, the state of conductivity will not change during a period of one week.

Maximum Overshoot Temperature or Maximum Temperature Limit (T_m , T_M):

The maximum temperature at which the thermal cutoff, having changed its state of conductivity, can be maintained for a specified period of time, during which its mechanical and electrical properties will not be impaired.

Rated Voltage:

The maximum voltage that can be applied to the circuit in which the thermal cutoff is used.

Rated Current:

The maximum current that the thermal cutoff is rated to interrupt at the rated voltage.



Agency Recognition

MICROTEMP® thermal cutoffs are recognized by the following major agencies:



UL

*Underwriters
Laboratories Inc.
(USA)*



BEAB

*British
Electrotechnical
Approvals Board*



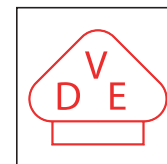
METI

*Ministry of
Economy, Trade
and Industry of
Japan*



CSA

*Canadian
Standards Association*



VDE

*Verband
Deutscher
Elektrotechniker e.V.
(F. R. G.)*

MICROTEMP® thermal cutoffs are recognized by the major approval agencies throughout the world for AC circuit applications (they do not have recognition for DC circuit applications). These agency electrical ratings can be used as a guideline when evaluating specific thermal cutoff applications. However, the electrical and thermal conditions to which the thermal cutoff may be exposed in an application may differ significantly from agency test conditions. Accordingly, customers should not rely solely on agency ratings but rather must perform adequate testing on the particular application to confirm that the TCO selected is appropriate for that application and will operate as intended.

Important Notice

Users must determine the suitability of the control for their application, including the level of reliability required, and are solely responsible for the function of the end-use product.

These controls contain exposed electrical components and are not intended to withstand exposure to water or other environmental contaminants which can compromise insulating components. Such exposure may result in insulation breakdown and accompanying localized electrical heating.

A control may remain permanently closed or open as a result of exposure to excessive mechanical, electrical, thermal or environmental conditions or at normal end-of-life. If failure of the control to operate could result in personal injury or property damage, the user should incorporate supplemental system control features to achieve the desired level of reliability and safety. For example, backup controls have been incorporated in a number of applications for this reason.