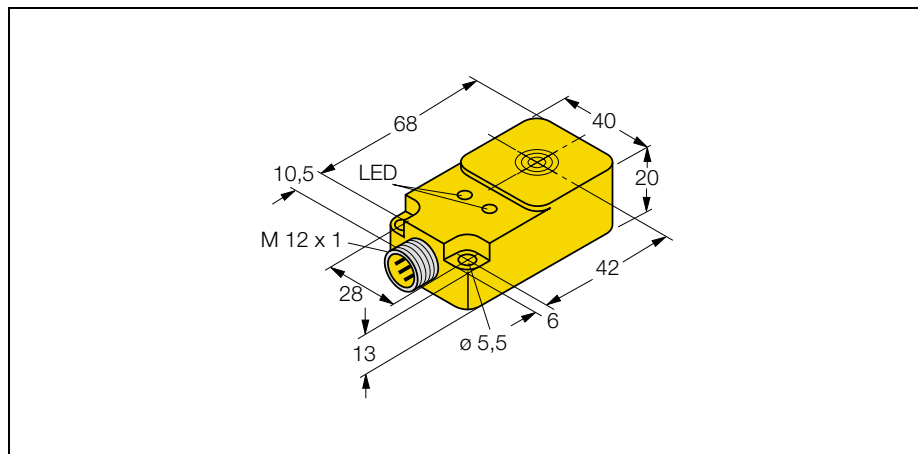


Inductive sensor uprox®

Bi15U-Q20-AP6X2-H1141

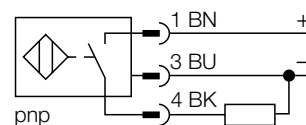


- Rectangular, height 20mm
- Active face on top
- Plastic, PBT12-GF30-V0
- Factor 1 for all metals
- Magnetic field immune
- Increased temperature range
- High switching frequency

Type	Bi15U-Q20-AP6X2-H1141
Ident-No.	1608600
Rated operating distance S_n	15,0 mm
Mounting mode	flush
Hysteresis H	3...15 %
Max. relative temperature drift	≤ 15 % v.E
Min. repeat accuracy	≤ 2 % v.E
Operation temperature	-30...85 °C
Rated operational voltage (DC) U_e	10...30 VDC
Max. ripple	≤ 10 % U_{SS}
Rated operational current (DC) I_e	200 mA
No-load current I_0	≤ 15,0 mA
Max. OFF-state current	≤ 0,1 mA
Max. switching frequency	≤ 0,25 kHz
Rated insulation voltage	0,5 kV
Output function	normally open, PNP
Short-circuit protection	yes, cyclic
Max. voltage drop at I_e	≤ 1,8 V
Wire brakage and reverse polarity protection	yes, complete
Degree of protection / protection class	IP 67; 2
Housing style	rectangular; Q20
Dimensions	68,0 x 40,0 x 20,0 mm
Housing material	plastic; PBT-GF30-V0
Active face	plastic; PBT-GF30-V0
Wiring	connector; M12x1 eurocon
Vibration resistance	55 Hz (1 mm)
Shock resistance	30 x g (11 ms)
Supply voltage indication	LED; grün
Switching status indication	LED; yellow

3-wire DC, 10-30VDC
Normally open, PNP-output
Connector, M12x1 eurocon

Wiring diagram



Function principles

Inductive sensors serve for wear-free and non contact detection of metal objects. Uprox Factor 1-sensors have considerable advantages because of their patented fer-rite-less 3-coil system. They detect all metals with the same operating distance, are magnetic field immune and have high operating distances.

Inductive sensor uprox®

Bi15U-Q20-AP6X2-H1141

Mounting accessories

Typ	Ident-No.	Text	Dimension drawing
MH-Q20	6950010	For mounting with active face downwards	
MW-Q14/Q20	6945006	Mounting bracket; material V2A 1.4301	