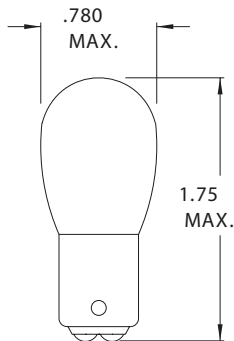
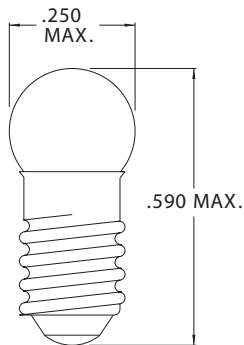


B-6 Double Contact Bayonet Base



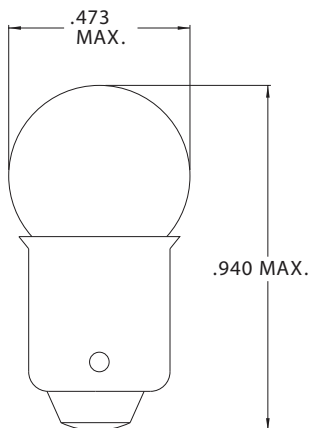
Part Number	Design Voltage	Amps	MSCP	Life Hours	Filament Type
CM210	6.5	1.78	15.0	100	C-6
CM1014	6.6	1.50	10.0	200	C-6
CM1061	6.7	1.80	13.0	400	C-6
CM104	12.8	1.00	12.0	500	C-6
CM1004	12.8	.94	15.0	100	C-6

G-2 Midget Screw Base



Part Number	Design Voltage	Amps	MSCP	Life Hours	Filament Type
CM162	7.0	.065	.085	1,000	C-2V
CM163	14.0	.065	.066	1,000	C-2F
CM333	28.0	.040	.320	1,000	C-2F

G-3 1/2 Miniature Bayonet Base



Part Number	Design Voltage	Amps	MSCP	Life Hours	Filament Type
CM354	2.47	.300	.50	15	C-2R
CM130	6.3	.150	.32	5,000	C-2R
CM219	6.3	.250	.50	5,000	C-2V
CM137	6.6	.250	.55	5,000	C-2R
CM51	7.5	.220	1.0	1,000	C-2R
CM363	14.0	.200	2.0	250	C-2V
CM53	14.4	.120	1.0	1,000	C-2V
CM53X	14.4	.120	.75	3,000	C-2V
CM182	14.4	.180	1.0	2,000	C-2F
CM250	14.4	.120	.50	2,500	C-2F
CM1445	14.4	.135	.70	2,000	C-2V
CM1450	24.0	.035	.23	3,000	C-2F
CM265	28.0	.080	.75	5,000	C-2F
CM356	28.0	.170	3.5	500	C-2V

Mouser Electronics

Authorized Distributor

Click to View Pricing, Inventory, Delivery & Lifecycle Information:

[Chicago Miniature:](#)

[219](#) [53](#) [51](#) [356](#) [1450-10PK](#)