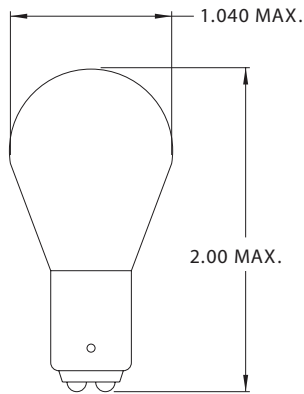


## S-8 Double Contact Bayonet Base



Part Number	Design Voltage	Amps	MSCP	Life Hours	Filament Type
CM1584	4.0	2.0	8.8	100	C-2R
CM1612	5.4	1.86	10.0	1,000	C-6
CM1594	6.0	5.0	36.0	250	C-6
CM6	6.4	3.0	23.0	500	C-2R
CM1002	6.4	2.63	21.0	200	C-2V
	6.4	2.63	21.0	200	C-2V
CM1130	6.4	2.63	21.0	200	C-6
CM1158	6.4	2.63	21.0	200	C-6
	7.0	.75	3.0	1,000	C-6
CM1170	6.4	2.63	21.0	200	C-2V
	7.0	1.03	6.0	1,000	C-12
CM1330	6.4	2.63	21.0	200	C-6
CM1608	6.4	2.69	21.0	200	C-2V
CM1618	6.4	2.63	21.0	200	C-6
CM1493	6.5	2.75	23.0	100	C-6
CM1497	6.5	2.75	23.0	100	C-6
CM88	6.8	1.91	15.0	300	C-2R
CM1648	8.0	2.10	21.0	200	C-2R
CM8	8.0	2.20	2.0	500	C-2R
CM94	12.8	1.04	15.0	500	C-2R
CM1005	12.8	1.31	21.0	300	C-2R
	12.8	1.31	21.0	300	C-2R
CM1068	12.8	1.80	32.0	200	C-6
	14.0	5.10	4.0	2,000	C-6
CM1076	12.8	1.80	32.0	200	C-6
CM1142	12.8	1.44	21.0	500	C-6
CM1152	12.8	1.34	21.0	500	C-2R
CM1176	12.8	1.34	21.0	200	2C-6
	14.0	.59	6.0	1,000	2C-6
CM1376	12.8	1.60	21.0	1,500	C-6
	14.0	.64	6.0	2,000	C-6
CM92	13.0	.71	10.0	500	C-2R
CM306	28.0	.51	15.0	300	C-2V
CM308	28.0	.67	21.0	300	C-2V
CM1204	28.0	.71	21.0	400	C-2V
CM1244	28.0	.53	15.0	300	C-2V
CM1638	28.0	1.02	32.0	500	2C-6
CM1666	28.0	.63	21.0	300	CC-6
	28.0	.63	21.0	300	CC-6
CM1692	28.0	.61	15.0	1,000	2C-2R
CM1696	28.0	.42	10.0	500	C-2V
CM1080	30.0	.90	19.0	5,000	C-2V

# Mouser Electronics

Authorized Distributor

Click to View Pricing, Inventory, Delivery & Lifecycle Information:

VCC:

[94](#) [1142](#) [1130](#) [1584](#) [1076](#) [1666](#) [1594](#) [1612](#) [1497](#)