

Spezifikation für Freigabe / specification for release

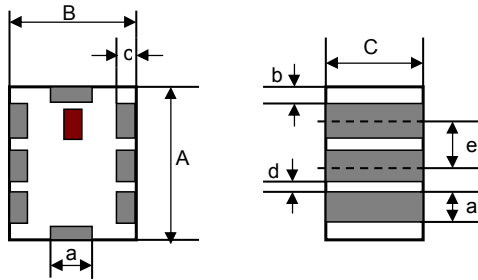
Kunde / customer : _____
 Artikelnummer / part number : **748125024**
 Bezeichnung : **Tiefpassfilter WE-LPF**
 description : **Low-Pass-Filter WE-LPF**

LF



DATUM / DATE : 2004-10-11

A Mechanische Abmessungen / dimensions :

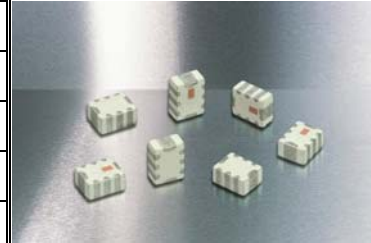


		0805	
A	2,0 ± 0,1	mm	
B	1,25 ± 0,1	mm	
C	0,85 ± 0,1	mm	
a	0,3 ± 0,1	mm	
b	0,2 ± 0,1	mm	
c	0,3 + 0,1/- 0,2	mm	
d	0,35 ± 0,1	mm	
e	0,65 ± 0,05	mm	

B Elektrische Eigenschaften / electrical properties:

Eigenschaften / properties	Testbedingungen / test conditions		Wert / value	Einheit / unit	tol.
Frequenzbereich / frequency range	BW	f_0	2400 ... 2500	MHz	
Einfügedämpfung / insertion loss	@ BW	IL	0,5	dB	max.
VSWR	@ BW		1,8		max.
Dämpfung I / attenuation I	$2 * f_0$	A	27	dB	min.
Dämpfung II / attenuation II	$3 * f_0$	A	25	dB	min.
Dämpfung III / attenuation III	$4 * f_0$	A	25	dB	min.
Leistung / power		P	35	dBm	max.

C Abbildung / appearance:



D Prüfgeräte / test equipment:

Agilent 8719ES

E Testbedingungen / test conditions:

Luftfeuchtigkeit / humidity: 50 ~ 70%
 Umgebungstemperatur / temperature: 20°C ~ 25°C

F Werkstoffe & Zulassungen / material & approvals:

Basismaterial / base material: Keramik / ceramic
 Kontaktmaterial / contact plating: AG + Ni + Sn

G Eigenschaften / general specifications:

Betriebstemp. / operating temperature: -40°C ~ +85°C
 Lagerbedingungen / storage conditions: 15°C ~ 35°C
 45 ~ 75% RH
 Leistung / power capacity : 1 W max.

Freigabe erteilt / general release:	Kunde / customer			
.....			
Datum / date	Unterschrift / signature			
	Würth Elektronik			
.....			
Geprüft / checked	Kontrolliert / approved	OO	Version 2	08-08-29
		AWe	Version 1	04-10-11
		Name	Änderung / modification	Datum /date

Würth Elektronik eiSos GmbH & Co.KG

D-74638 Waldenburg · Max-Eyth-Str. 1 · Germany · Telefon (+49) (0) 7942 - 945 - 0 · Telefax (+49) (0) 7942 - 945 - 400
<http://www.we-online.de>

Spezifikation für Freigabe / specification for release

Kunde / customer : _____
 Artikelnummer / part number : **748125024**
 Bezeichnung : **Tiefpassfilter WE-LPF**
 description : **Low-Pass-Filter WE-LPF**

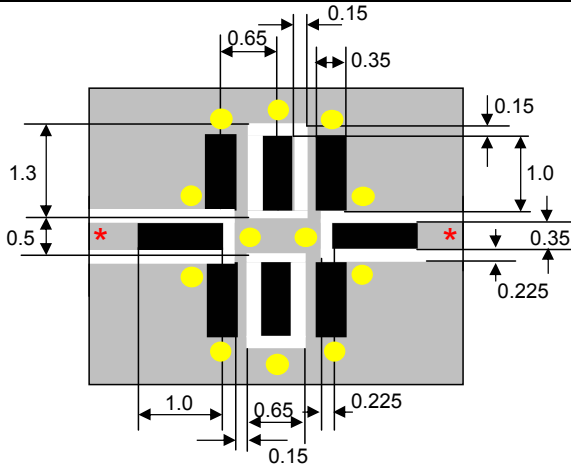
LF



DATUM / DATE : 2004-10-11

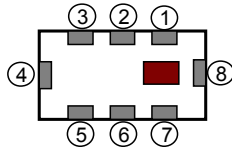
H Lötadempfehlung / solder pads:

unit: mm



* Line width should be designed to match 50Ω characteristic impedance, depending on PCB material and thickness.

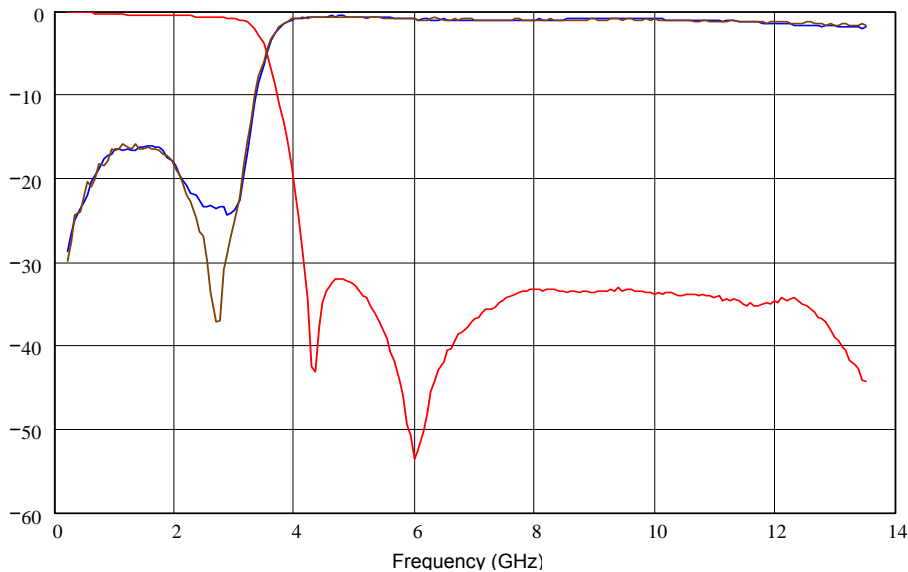
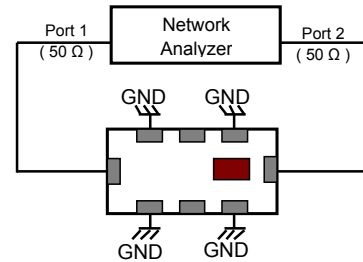
- Solder Resist
- Land
- No pattern Solder Resist
- Through-hole (Ø 0.35)



No.	Terminal Name	No.	Terminal Name
①	GND	⑤	GND
②	NC	⑥	NC
③	GND	⑦	GND
④	OUT	⑧	IN

K Messdiagramm/ measuring diagram:

Attenuation and Return Loss (dB)



S21 in dB
 S11 in dB
 S22 in dB

This electronic component has been designed and developed for usage in general electronic equipment. Before incorporating this component into any equipment where higher safety and reliability is especially required or if there is the possibility of direct damage or injury to human body, for example in the range of aerospace, aviation, nuclear control, submarine, transportation, (automotive control, train control, ship control), transportation signal, disaster prevention, medical, public information network etc, Würth Elektronik eiSos GmbH must be informed before the design-in stage. In addition, sufficient reliability evaluation checks for safety must be performed on every electronic component which is used in electrical circuits that require high safety and reliability functions or performance.

Würth Elektronik eiSos GmbH & Co.KG

D-74638 Waldenburg · Max-Eyth-Str. 1 · Germany · Telefon (+49) (0) 7942 - 945 - 0 · Telefax (+49) (0) 7942 - 945 - 400
<http://www.we-online.de>

Spezifikation für Freigabe / specification for release

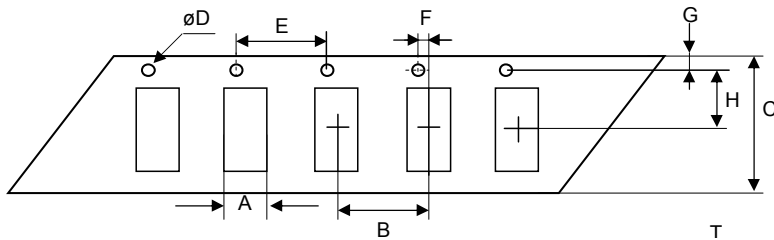
Kunde / customer : _____
 Artikelnummer / part number : **748125024**
 Bezeichnung : **Tiefpassfilter WE-LPF**
 description : **Low-Pass-Filter WE-LPF**

LF

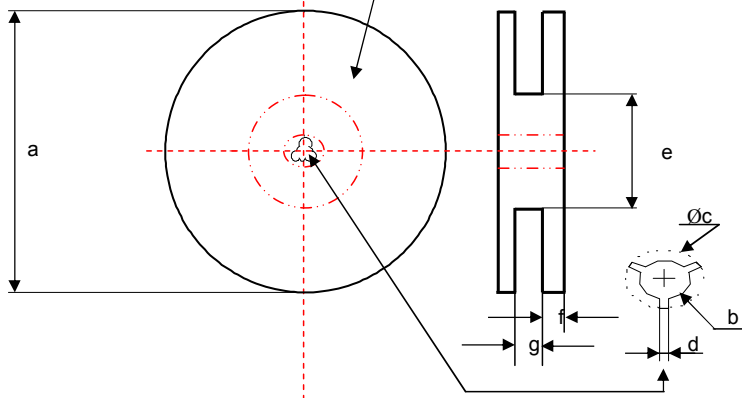


DATUM / DATE : 2004-10-11

I Rollenspezifikation / tape and reel specification :

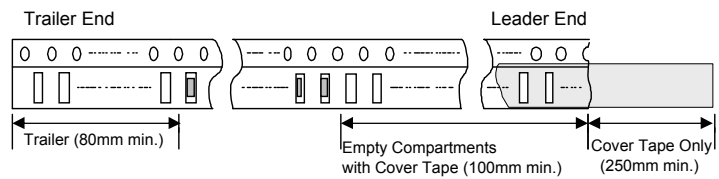
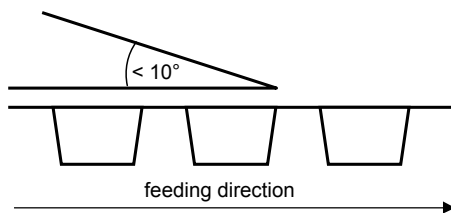


Gurtspezifikation / Tape specification:		
A	1,6 ± 0,1	mm
B	4,0 ± 0,1	mm
C	8,0 ± 0,2	mm
D	1,5 +0,1/-0,0	mm
E	4,0 ± 0,1	mm
F	2,0 ± 0,1	mm
G	1,75 ± 0,1	mm
H	3,5 ± 0,1	mm
I	2,4 ± 0,1	mm
J	1,3 max.	mm
T	0,2 ± 0,05	mm



Rollenspezifikation / Reel specification:		
a	178,0 ± 2,0	mm
b	13,0 ± 0,3	mm
c	21,8 ± 0,8	mm
d	2,0 ± 0,5	mm
e	60,0 ± 0,5	mm
f	1,2 ± 0,2	mm
g	9,0 ± 0,3	mm

The force for tearing off cover tape is 10 to 130 grams in arrow direction



Freigabe erteilt / general release:	Kunde / customer					
	Datum / date			Unterschrift / signature		
	Würth Elektronik					
Geprüft / checked	Kontrolliert / approved			OO	Version 2	08-08-29
				AWe	Version 1	04-10-11
				Name	Änderung / modification	Datum/date

Würth Elektronik eiSos GmbH & Co.KG

D-74638 Waldenburg · Max-Eyth-Str. 1 · Germany · Telefon (+49) (0) 7942 - 945 - 0 · Telefax (+49) (0) 7942 - 945 - 400
<http://www.we-online.de>