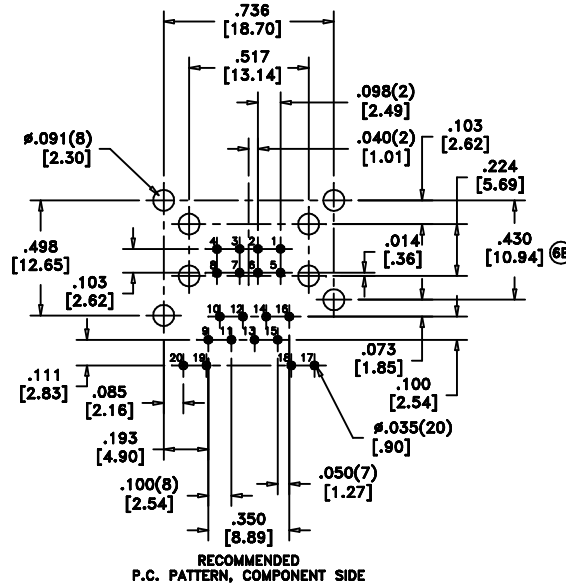
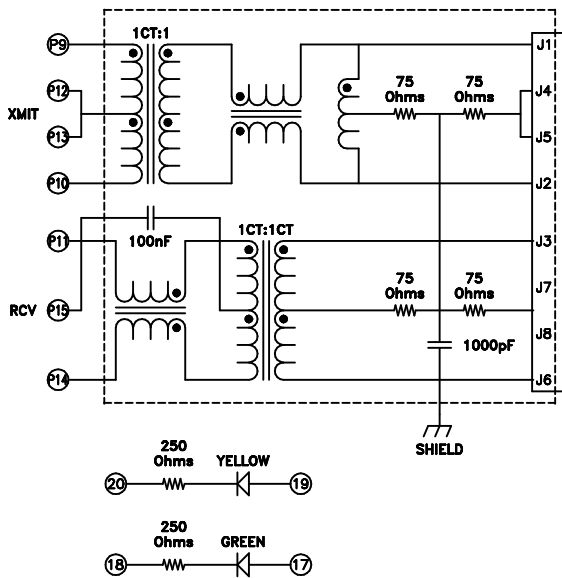
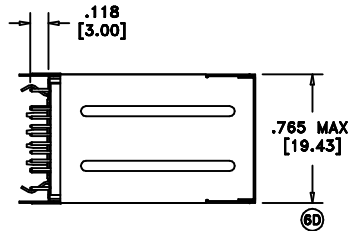
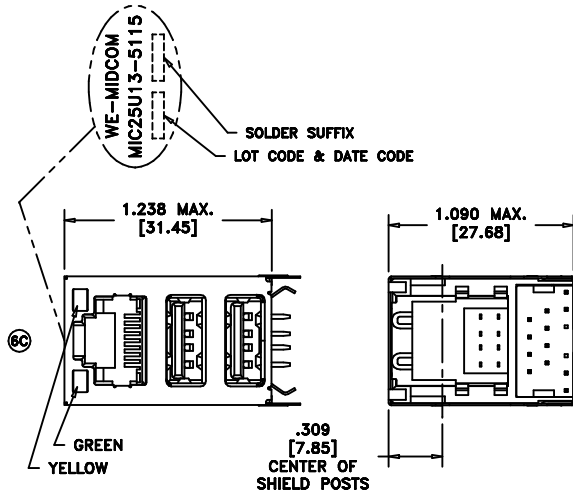


SOLDER SUFFIX	CUSTOMER TERMINAL	RoHS	LEAD(Pb)-FREE
LF3	Sn100%	Yes	Yes



MARKING DETAIL ON TOP SURFACE OF SHIELD



ELECTRICAL SPECIFICATIONS @ 25°C unless otherwise noted:

- INDUCTANCE: 350uH min., 100kHz, 100mV, 8mA DC, J1-J2; J3-J6, Lp.
- ⑥ DIELECTRIC RATING: 1500Vrms for 1 minute between P9-J1(tie P9 thru P14+shield, J1 thru J8). 500Vrms for 1 minute, tested by applying 600Vrms for 1 second between P1-P5(tie P1 thru P4, P5 thru P8).
- URNS RATIO/POLARITY: (P9-P10):(J1-J2) = 1:1, ±2%. (P11-P14):(J3-J6) = 1:1, ±2%.
- INSERTION LOSS: -1.0dB max., 1MHz - 100MHz.
- RETURN LOSS: -18dB min., 1M - 30MHz. -16dB min., 30M - 45MHz. -14dB min., 45M - 60MHz. -12dB min., 60M - 80MHz.
- CROSSTALK: -33dB min., 1MHz - 100MHz.
- COMMON MODE REJECTION: -35dB min., 1MHz - 100MHz.
- OPERATING TEMPERATURE RANGE: 0°C to +70°C.

⑥ MATERIAL AND FINISH:

Housing: Thermoplastic PBT, Black per UL94 V-0
 Shield: Brass with semi-bright nickel plating
 Contact: Phosphor Bronze, base material
 Contact Plating: 100% tin plating with nickel underplating, 30u" gold plating on contact area

- LED (Yellow): Frwd Voltage typ.: 5V
 Drive Current: 20mA max.
 Wave Length: 589nm typ.
- LED (Green): Frwd Voltage typ.: 5V
 Drive Current: 20mA max.
 Wave Length: 565nm typ.

RJ45 Jack cavity conforms to FCC rules and regulations Part 68.

REV.	DATE
6D	6/09
6C	1/09
6B	2/06
6A	8/05

Packaging Specifications
 Method: Tray
 PKG-0551
 www.midcom-inc.com

Unless otherwise specified:
 Tolerances: Fractions: ±1/64
 Angles: ±1° Decimals: ±.010[.25]
 This drawing is dual dimensioned. Dimensions in brackets are in millimeters.

⑥ DRAWING TITLE
TRANSFORMER
 eiSos p/n: 7497010211

Midcom WE
 www.midcom-inc.com

DRAWING NO.
MIC25U13-5115W-LF3

REVISIONS: SEE SHEET 1

SCALE ---

SHEET 2 OF 6